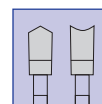


## Panel Trimming & Sizing Sawblades Without Scorer

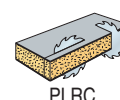
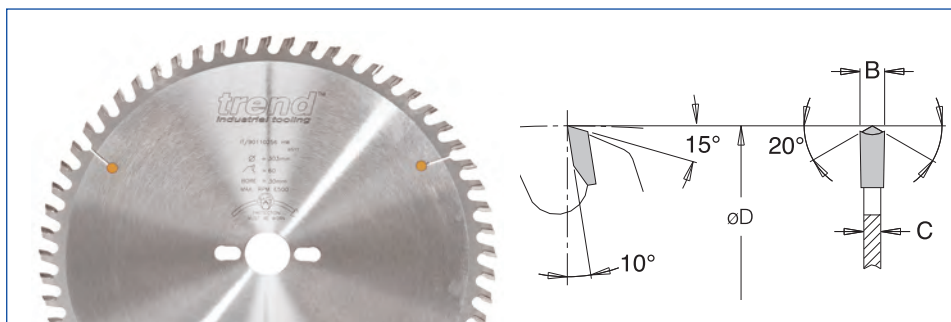
- Suitable for trimming and sizing with a super fine finish on single and double-sided laminated boards (chipboard, MDF etc).
- Hollow pointed tooth.
- Special tooth form allows blade to machine double-sided laminated board without a scorer.
- For use on a table or panel saw.
- Other bore sizes available, see page 17.



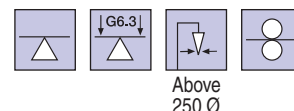
**Laminated Boards**

**Hollow /Point Teeth  
Super Fine Finish**

**TCT**

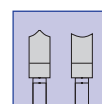


øD	Teeth	Product Ref.	B	C	ø bore	Stock	Price
253	48	IT/901 10 10 6	3.2	2.2	30	N	£86.63
303	60	IT/901 10 25 6	3.3	2.4	30	Y	£100.38
350	72	IT/901 10 30 6	3.2	2.2	30	Y	£125.69



## Vertical Panel Trimming & Sizing Sawblades

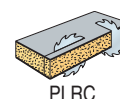
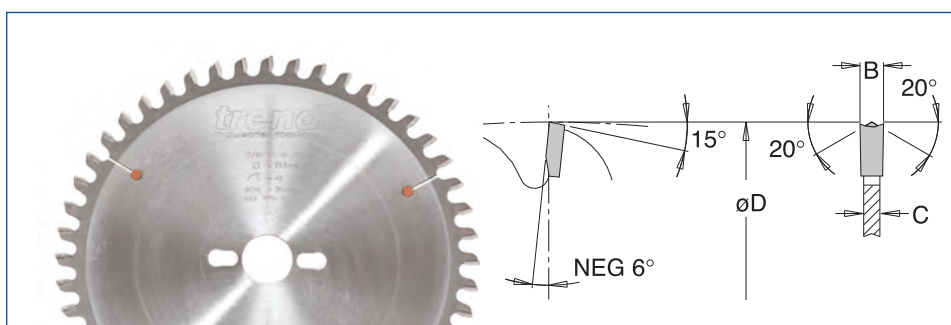
- Suitable for trimming and sizing with a super fine finish on single and double-sided laminated boards (chipboard, MDF etc).
- Hollow pointed tooth, negative hook.
- Special tooth form allows blade to machine double-sided laminated board without a scorer.
- For use on a vertical panel sizing machine.
- Other bore sizes available, see page 17.



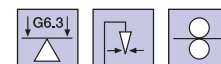
**Laminated Boards**

**Hollow /Point Teeth  
Super Fine Finish**

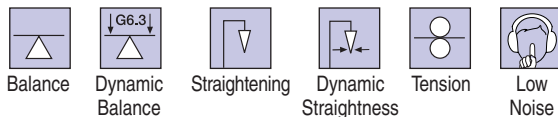
**TCT**



øD	Teeth	Product Ref.	B	C	ø bore	Stock	Price
220	42	IT/901 10 65 6	3.2	2.2	30	N	£72.24
253	48	IT/901 10 13 6	3.2	2.2	30	Y	£86.63
303	60	IT/901 10 85 6	3.2	2.2	30	Y	£100.38



**MANUFACTURING TECHNOLOGY**



All prices are exclusive of VAT