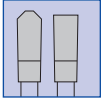


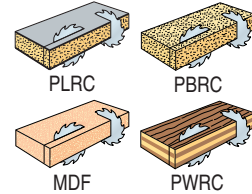
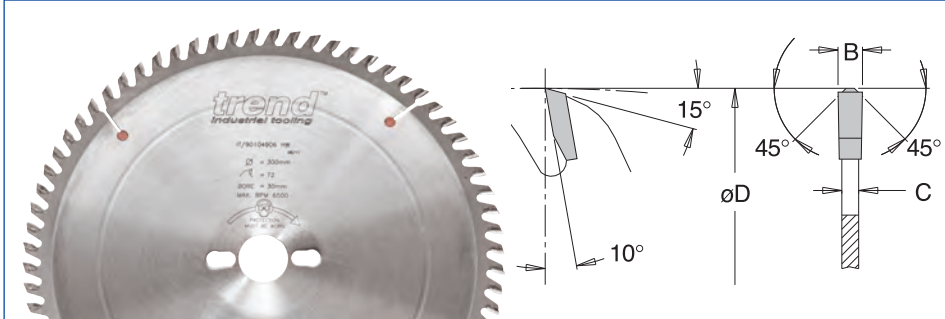
Panel Trimming and Sizing Sawblades for use with Scorers



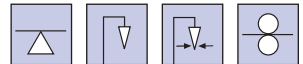
- Suitable for trimming and cross cutting with a medium to fine finish on single-sided laminated boards (chipboard, MDF etc).
- Triple chip tooth.
- For use on a table or panel saw.
- Marked blades are **D_{MAX}** quality for long lasting durability.
- Other bore sizes available, see page 17.

Boards & Laminated Boards

**Triple Chip Teeth
Medium/Fine Finish**



øD	Teeth	Product Ref.	B	C	ø bore	Stock	Price	
N	150	48	IT/901 06 06 6	3.0	2.0	30	Y	£57.75
N	180	58	IT/901 06 07 6	3.0	2.0	30	Y	£66.15
N	200	48	IT/901 04 70 6	3.0	2.0	30	Y	£66.15
N	200	64	IT/901 06 08 6	3.0	2.0	30	Y	£79.80
N	220	48	IT/901 04 72 6	3.0	2.0	30	Y	£71.93
N	220	64	IT/901 06 12 6	3.0	2.0	30	Y	£84.53
N	250	40	IT/901 04 75 6	3.2	2.2	30	Y	£66.15
	250	60	IT/901 04 80 6	3.2	2.2	30	Y	£77.81
	250 D_{MAX}	60	IT/950 04 80 6	3.2	2.2	30	Y	£94.29
	250	80	IT/901 06 10 6 *	3.2	2.2	30	Y	£83.27
	250 D_{MAX}	80	IT/950 06 10 6	3.2	2.2	30	Y	£109.20
	300	60	IT/901 04 85 6	3.2	2.2	30	Y	£83.27
	300	72	IT/901 04 90 6 *	3.2	2.2	30	Y	£93.77
	300 D_{MAX}	72	IT/950 04 90 6	3.2	2.2	30	Y	£115.29
	300	96	IT/901 06 20 6 *	3.2	2.2	30	Y	£97.65
	300 D_{MAX}	96	IT/950 06 20 6	3.2	2.2	30	Y	£127.89
	350	72	IT/901 04 95 6	3.5	2.5	30	Y	£100.91
	350 D_{MAX}	72	IT/950 04 95 6	3.5	2.5	30	Y	£123.48
	350	84	IT/901 05 00 6 *	3.5	2.5	30	Y	£115.29
	350 D_{MAX}	84	IT/950 05 00 6	3.5	2.5	30	Y	£140.07
	350	108	IT/901 06 30 6 *	3.5	2.5	30	Y	£127.37
	350 D_{MAX}	108	IT/950 06 30 6	3.5	2.5	30	Y	£147.74
	400	96	IT/901 05 10 6 *	3.5	2.5	30	Y	£130.73
	400	120	IT/901 06 40 6 *	3.5	2.5	30	Y	£151.62
	450	66	IT/901 02 98 6	4.0	2.8	30	Y	£135.66
	450	132	IT/901 06 41 6 *	4.0	2.8	30	Y	£175.35
	500	72	IT/901 03 25 6	4.4	3.0	30	Y	£144.48
	500	120	IT/901 05 17 6 *	4.4	3.0	30	Y	£197.40



*

Stock Y normally kept in stock for next day delivery N not normally held in stock, delivery in a short time