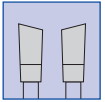


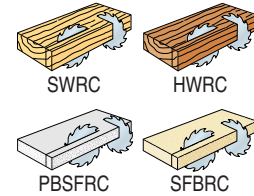
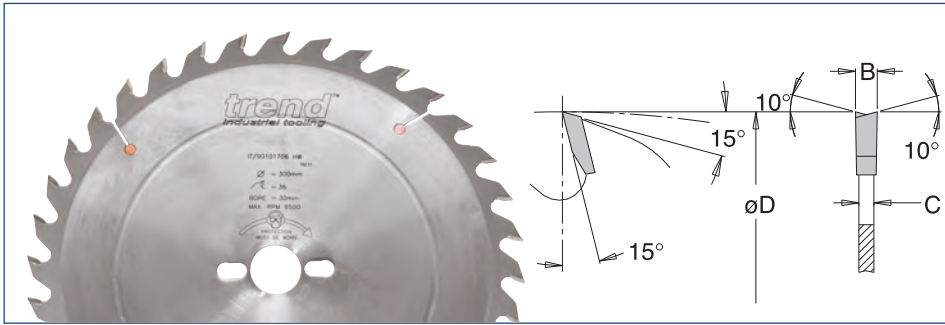
Rip and Cross Cut Sawblades

- Suitable for rip and cross cutting with a coarse to medium finish on solid soft and hard woods.
- Alternate bevel tooth.
- For use on table saw.
- Other bore sizes available, see page 17.

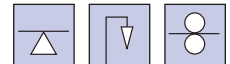


Solid Wood

**Alternate Bevel Teeth
Coarse/Medium Finish**

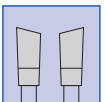


øD	Teeth	Product Ref.	B	C	ø bore	Stock	Price	
N	125	24	IT/901 02 10 3	3.0	2.0	20	Y	£33.60
N	150	24	IT/901 02 20 3	3.0	2.0	20	Y	£40.85
N	160	24	IT/901 02 21 3	2.6	1.6	20	Y	£38.85
N	180	24	IT/901 01 30 6	3.0	2.0	30	Y	£37.80
N	184	24	IT/901 01 31 E	2.8	1.8	16	Y	£44.10
N	190	24	IT/901 01 33 6	2.8	1.8	30	Y	£39.90
N	200	24	IT/901 01 40 6	3.0	2.0	30	Y	£42.00
N	230	24	IT/901 01 50 6	3.0	2.0	30	Y	£47.25
	250	30	IT/901 01 60 6	3.2	2.2	30	Y	£50.19
	300	36	IT/901 01 70 6	3.2	2.2	30	Y	£60.17
	350	36	IT/901 01 79 6	3.5	2.5	30	Y	£72.24
	350	42	IT/901 01 80 6	3.5	2.5	30	Y	£73.40
	400	48	IT/901 01 90 6	3.5	2.5	30	Y	£82.22
	450	54	IT/901 02 00 6	4.0	2.8	30	Y	£112.46
	500	60	IT/901 02 05 6	4.4	3.0	30	Y	£133.98



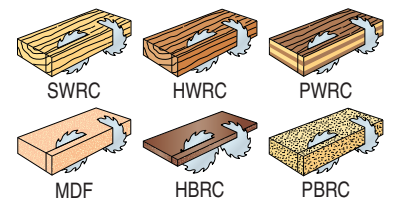
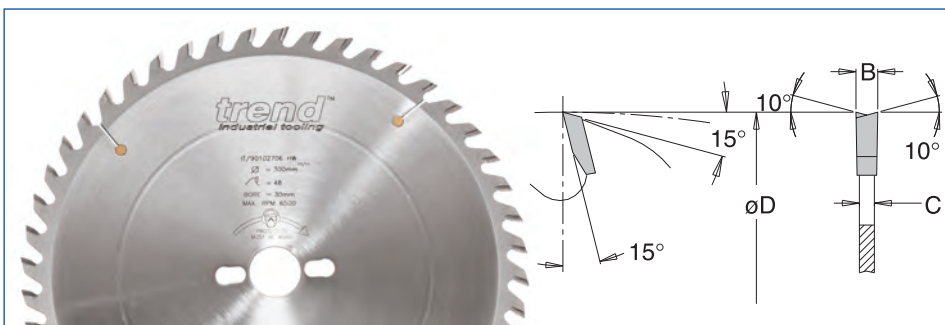
Rip and Cross Cut Sawblades

- Suitable for trimming and cross cutting with a medium fine finish on solid soft and hard woods and man-made boards.
- Alternate bevel tooth.
- For use on table saw.
- Other bore sizes available, see page 17.



**Solid Wood
& Boards**

**Alternate Bevel Teeth
Medium Fine Finish**



øD	Teeth	Product Ref.	B	C	ø bore	Stock	Price	
N	230	40	IT/901 02 50 6	3.0	2.0	30	Y	£60.90
	250	40	IT/901 02 60 6	3.2	2.2	30	Y	£57.96
	250	48	IT/901 02 63 6	3.2	2.2	30	Y	£62.90
	300	48	IT/901 02 70 6	3.2	2.2	30	Y	£68.36
	315	48	IT/SB/901 00 16	3.2	2.2	30	Y	£93.45
	350	54	IT/901 02 80 6	3.5	2.5	30	Y	£84.42
	400	60	IT/901 02 90 6	3.5	2.5	30	Y	£93.77
	450	66	IT/901 03 00 6	4.0	2.8	30	Y	£126.84
	500	72	IT/901 03 20 6	4.4	3.0	30	Y	£135.14

Stock Y normally kept in stock for next day delivery N not normally held in stock, delivery in a short time

