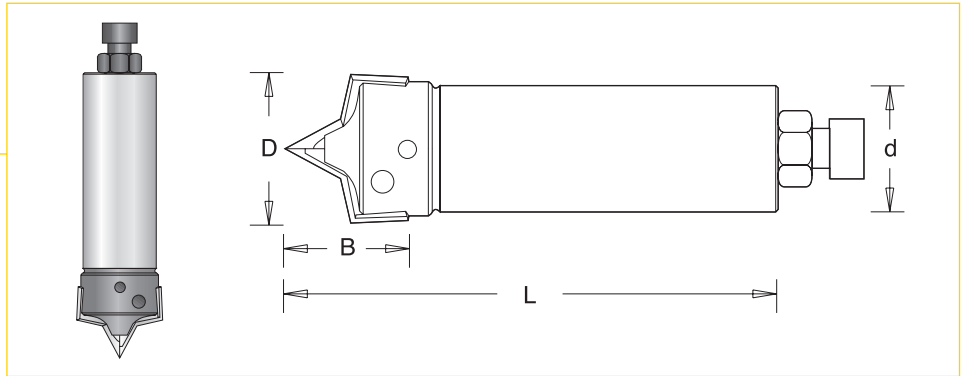




### Disposable Insert Multi-Face Profile Router Cutters

Disposable insert profile router cutter with two tungsten carbide cutting flutes. Suitable for profiling in softwoods, hardwoods and man-made boards. Tool will be supplied with standard inserts or special inserts ground to the customer's own specification. For use on routers and machining centres with CNC control.



øD	a	R	Product Ref.	Profile	ød	L	n
29.5	-	-	Special *	Customer design	20	82.5	28,000
29.5	45°	-	IT/808 051 0	B51	20	82.5	28,000
29.5	30°	-	IT/808 052 0	B52	20	82.5	28,000
29.5	-	6.3	IT/808 053 0	B53	20	82.5	28,000
29.5	-	12.5	IT/808 054 0	B54	20	82.5	28,000
29.5	-	4.0	IT/808 055 0	B55	20	82.5	28,000

\*Please contact our technical department on 01923 224681 for price & delivery on special profiles.

### Spare Parts

Description	T.C. Blade					Wedge	Set Screw	Hex Key
	B51	B52	B53	B54	B55			
Product Ref.	IT/351 051 0	IT/351 050 5	IT/351 060 5	IT/351 061 0	IT/351 310 5	IT/199 050 0	IT/193 049 0	IT/194 008 0
Size	31x25x2	31x25x2	31x24x2	31x24x2	31x24x2	L=28	M5x10	S2.5

Blades sold in singles.

