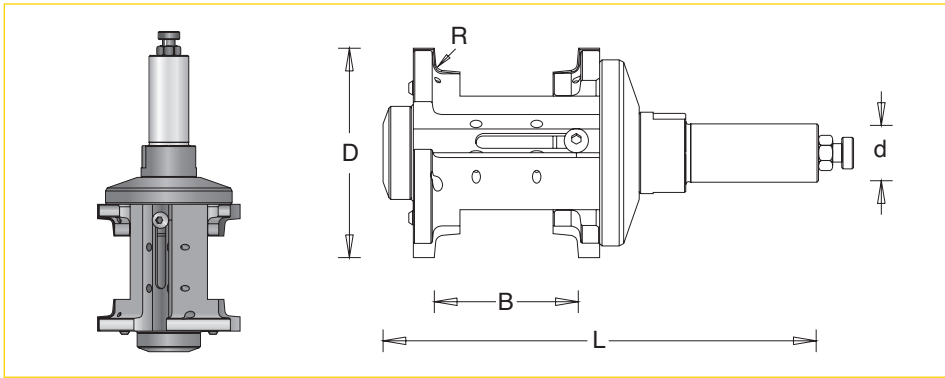
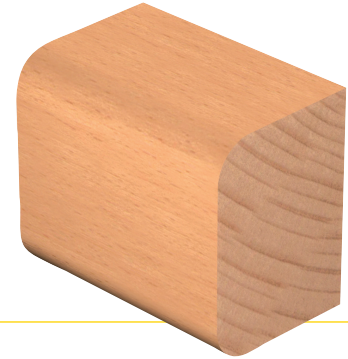


Disposable Insert Rounding and Chamfering Router Cutter Sets

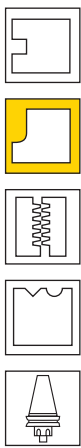
Disposable insert router cutter suitable for rounding over and/or chamfering various thicknesses of softwood, hardwood or man-made boards. For use on routers and machining centres with CNC control.



øD	R	Product Ref.	B	L	ød	n
90	3	IT/852 413 0	18-58	186	20x55	10,000
90	4	IT/852 414 0	18-58	186	20x55	10,000
90	5	IT/852 415 0	18-58	186	20x55	10,000
90	6	IT/852 416 0	18-58	186	20x55	10,000
90	8	IT/852 418 0	20-60	186	20x55	10,000
90	10	IT/852 420 0	22-62	186	20x55	10,000
90	45°	IT/852 421 0	12-62	186	20x55	10,000
Complete Set	3-10 & 45°	IT/852 410 0	12-62	186	20x55	10,000

! Also available with 25mm diameter shank, replace the last digit with an 'H'.

! No shims are required to adjust the depth of cut.



Spare Parts

Description	T.C. Blade *						
	R3	R4	R5	R6	R8	R10	45°
Product Ref. Top	IT/310 896 3	IT/310 896 4	IT/310 896 5	IT/310 896 6	IT/310 896 8	IT/310 897 0	IT/310 300 1
Product Ref. Bottom	IT/310 896 3L	IT/310 896 4L	IT/310 896 5L	IT/310 896 6L	IT/310 896 8L	IT/310 897 0L	IT/310 300 1L
Description	T.C. Blade **	Torx® Screw	Arbor	Arbor Screw	Hex Screw	Hex Key	Torx® Key
Product Ref.	IT/300 053 1/10	IT/193 395 0	IT/190 810 0	IT/193 608 0	IT/193 076 0	IT/194 003 6	IT/194 101 5
Size	60x12x1.5	M4x6	L=186x20mm	M5x20	M4x12	S4	T15

* Blades sold in singles. ** Blades sold in packs of ten.

