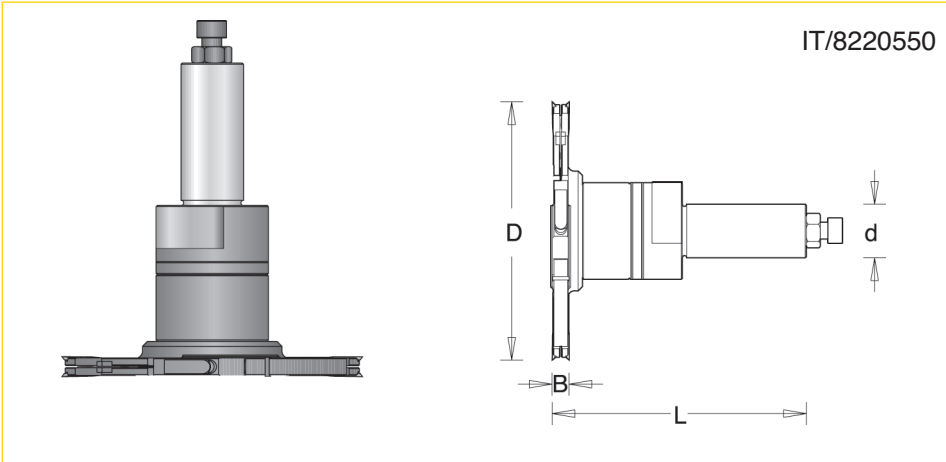
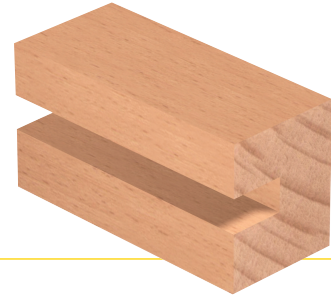


## Disposable Insert Adjustable Grooving Cutter (4-15.5mm)

Hard wearing steel body complete with disposable tungsten carbide knives and scorers for improved finish. Suitable for producing various thickness grooves and slots in softwood, hardwood and man-made boards (with or without coating). Cutting width can be adjusted in 0.1 mm steps by using supplied spacer rings. Replaceable inserts ensure a constant cutting diameter and finish quality. For use on routers and machining centres with CNC control.



| øD  | Product Ref. | B      | L   | ød | n      |
|-----|--------------|--------|-----|----|--------|
| 120 | IT/822 055 0 | 4-15.5 | 139 | 20 | 12,000 |
| 120 | IT/822 055 H | 4-15.5 | 139 | 25 | 12,000 |

### Spare Parts

|                   |                   |                    |                  |                   |                      |                       |                    |                   |              |
|-------------------|-------------------|--------------------|------------------|-------------------|----------------------|-----------------------|--------------------|-------------------|--------------|
|                   |                   |                    |                  |                   |                      |                       |                    |                   |              |
| <b>Desc.</b>      | <b>T.C. Blade</b> | <b>Wedge</b>       | <b>Set Screw</b> | <b>T.C. Blade</b> | <b>T.C. Blade</b>    | <b>T.C. Blade Nut</b> | <b>Torx® Screw</b> | <b>Washer Set</b> |              |
| <b>Prod. Ref.</b> | IT/310 751 2/10   | IT/199 031 0       | IT/193 060 0     | IT/300 850 1/10   | IT/300 850 2/10      | IT/192 350 0          | IT/192 360 0       | IT/193 028 0      | IT/192 619 0 |
| <b>Size</b>       | 7.5x12x1.5        | L=6.5              | M5x16            | 18x18x2           | 14x14x1.2            | M4x0.5x11.1           | M4x0.5x9.90        | M4x3.2            | B=8.1        |
|                   |                   |                    |                  |                   |                      |                       |                    |                   |              |
| <b>Desc.</b>      | <b>Arbor</b>      | <b>Arbor Screw</b> | <b>Hex Key</b>   | <b>Torx® Key</b>  | <b>Setting Gauge</b> |                       |                    |                   |              |
| <b>Prod. Ref.</b> | IT/190 820 0      | IT/193 608 0       | IT/194 008 0     | IT/1940150        | IT/194 110 0         | IT/760 1025           |                    |                   |              |
| <b>Size</b>       | L=127x20mm        | M5x20              | S2.5             | S4                | T9                   | 0.25mm                |                    |                   |              |
|                   | IT/190 820 H      |                    |                  |                   |                      |                       |                    |                   |              |
|                   | L=127x25mm        |                    |                  |                   |                      |                       |                    |                   |              |

Blades sold in packs of ten.

