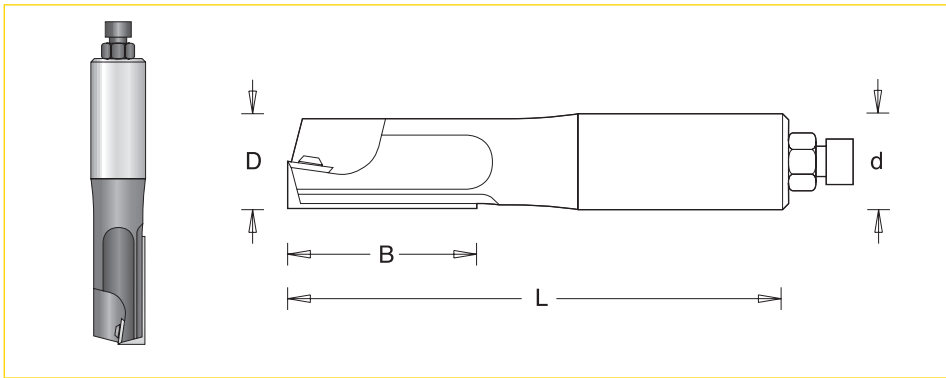
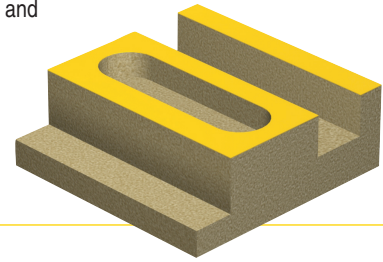


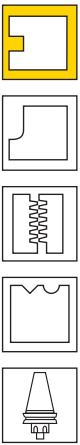
Disposable Insert Straight Router Cutters with Plunge Centre Tip

Disposable insert straight router cutter complete with one flute and centre tip. Suitable for grooving, rebating and sizing in man-made boards (with or without coating). Replaceable inserts ensure a constant cutting diameter and finish quality. Centre tip for improved boring. For use on routers and machining centres with CNC control.



$\varnothing D$	Product Ref.	B	L	$\varnothing d$	n
16	IT/107 373 0 *	30	105	20x55	18,000
16	IT/107 374 0 *	50	125	20x55	18,000
18	IT/107 375 0	30	105	20x55	18,000
18	IT/107 376 0	50	125	20x55	18,000
20	IT/107 377 0	30	105	20x55	18,000
20	IT/107 398 0	50	125	20x55	18,000
25	IT/107 378 0	30	105	20x55	18,000
25	IT/107 399 0	50	125	20x55	18,000

! * Brazed centre tip. Also available with 25mm diameter shank, replace the last digit with an 'H'.



Spare Parts

Desc.	T.C. Blade		T.C. Blade (B = 30)			T.C. Blade (B = 50)		
	IT/310 723 0/10 (B = 30)	IT/310 725 0/10 (B = 50)	IT/310 752 6/10 (D = 18)	IT/310 752 6/10 (D = 20)	IT/310 752 3/10 (D = 25)	IT/310 752 3/10 (D = 18)	IT/310 751 2/10 (D = 20)	IT/310 751 2/10 (D = 25)
Size	30x12x1.5	50x12x1.5	7.5x12x1.5	7.5x12x1.5	7.5x12x1.5	7.5x12x1.5	7.5x12x1.5	7.5x12x1.5
Desc.	Torx® Screw		Torx® Key					
	IT/193 395 0	IT/193 354 8	IT/194 101 5					
Size	M4x6	M3.5x4.8	T15					

Blades sold in packs of ten.

