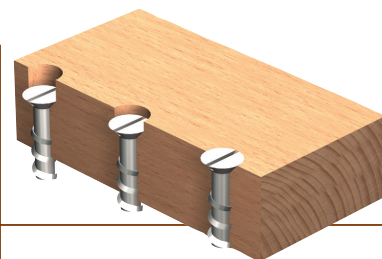
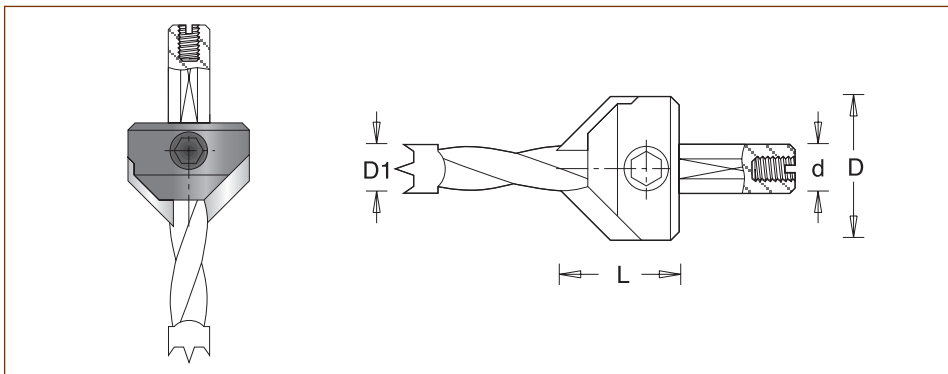


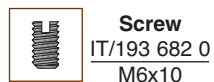
2022 - Countersink for Dowel Drills

Tungsten carbide tipped 90° countersinks with two flutes for use with dowel drills. Can be assembled on the drill flute or shank. Suitable for countersinking in natural wood and man-made boards.



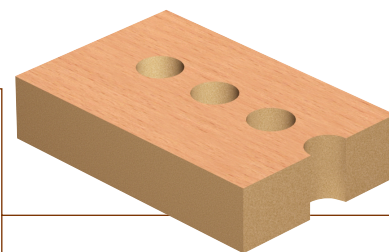
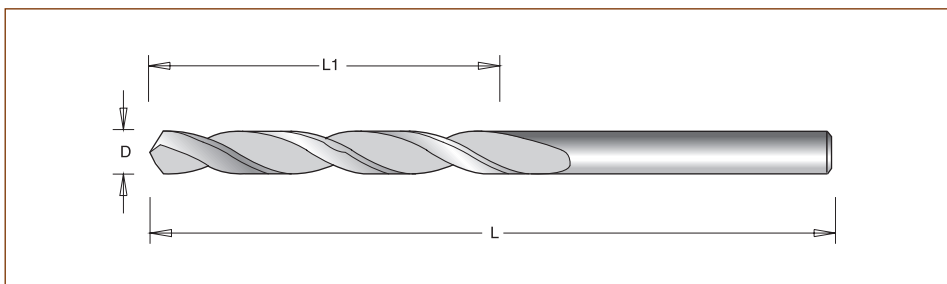
		Product Ref.		L	ød
øD1	øD	Right	Left		
4	15.6	IT/202 202 0	IT/202 203 0	17.5	10
5	16.0	IT/202 200 0	IT/202 201 0	17.5	10
6	16.0	IT/202 204 0	IT/202 205 0	17.5	10
7	16.0	IT/202 206 0	IT/202 207 0	17.5	10
8	18.0	IT/202 210 0	IT/202 211 0	17.5	10
9	18.0	IT/202 214 0	IT/202 215 0	17.5	10
10	20.0	IT/202 220 0	IT/202 221 0	17.5	10
10	12.0	IT/202 224 0	IT/202 225 0	17.5	10
5-10	15.5	IT/202 226 0 *	IT/202 227 0 *	16.5	10
5-10	20.0	IT/202 230 0 *	IT/202 231 0 *	17.5	10

* This countersink is assembled on the shank of the drill.



STC Twist Drills

Solid tungsten carbide twist drills with V point. Suitable for drilling blind and through holes in natural wood and man-made boards. Smaller diameters can be used for pre-drilling. Drills are straight over their full length and can be used in the chuck adapters and reduction bushes on the previous page.



		Product Ref.		L1	L
øD		Right	Left		
2.0		IT/DSC20R	IT/DSC20L	12	38
2.5		IT/DSC25R	IT/DSC25L	14	43
3.0		IT/DSC30R	IT/DSC30L	16	46
3.5		IT/DSC35R	IT/DSC35L	20	52
4.0		IT/DSC40R	IT/DSC40L	22	55
5.0		IT/DSC50R	IT/DSC50L	26	62

