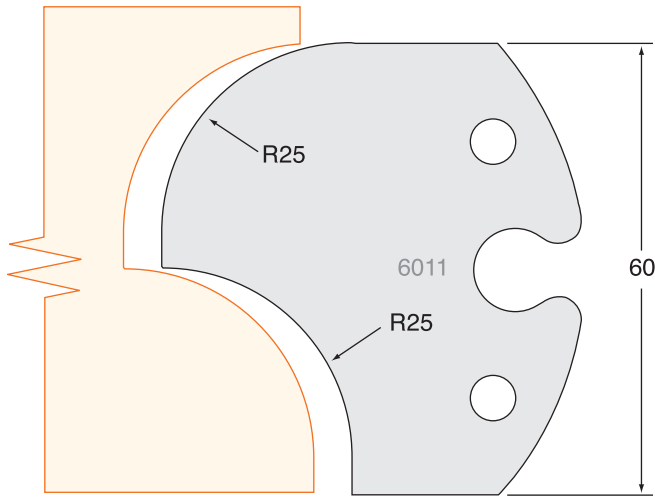


SPINDLE TOOLING

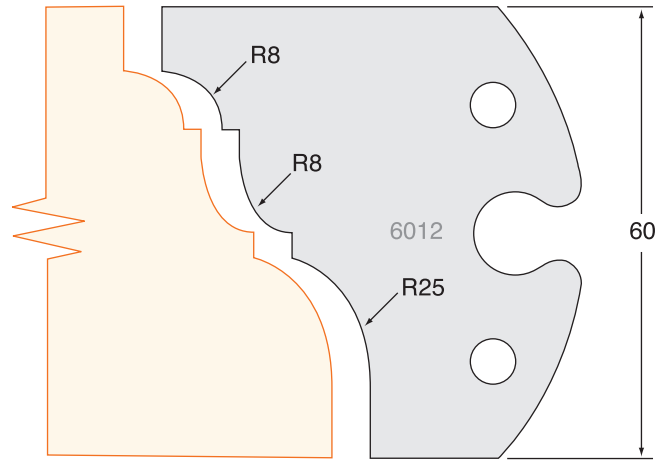


All Blades Sold as a Pair

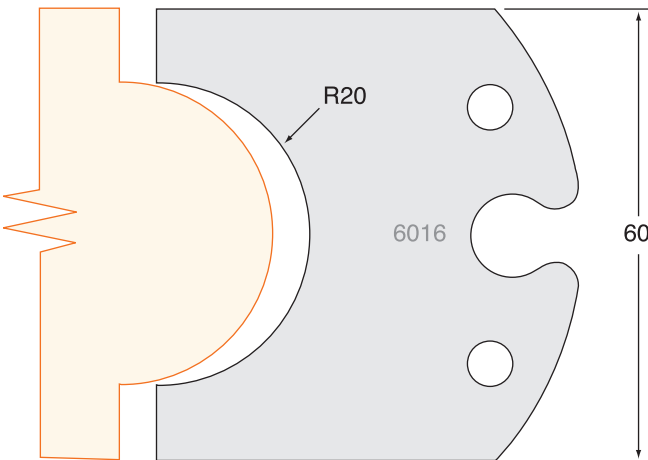
Tool Steel Multi Profile Cutters - 60x5.5mm



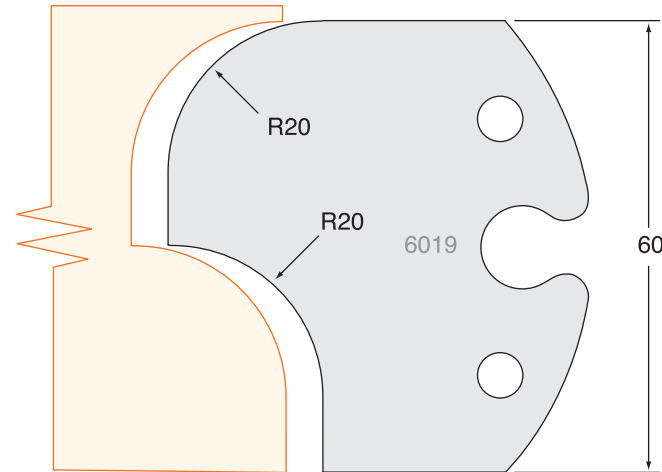
Kn IT/330 116 0
Li IT/340 116 0



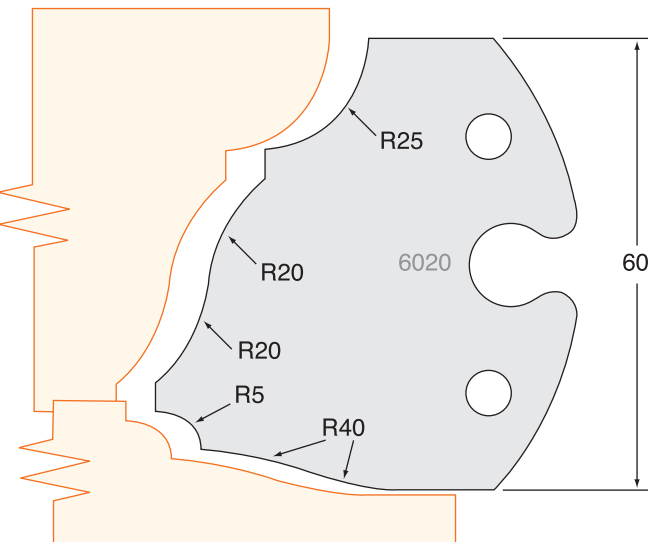
Kn IT/330 126 0
Li IT/340 126 0



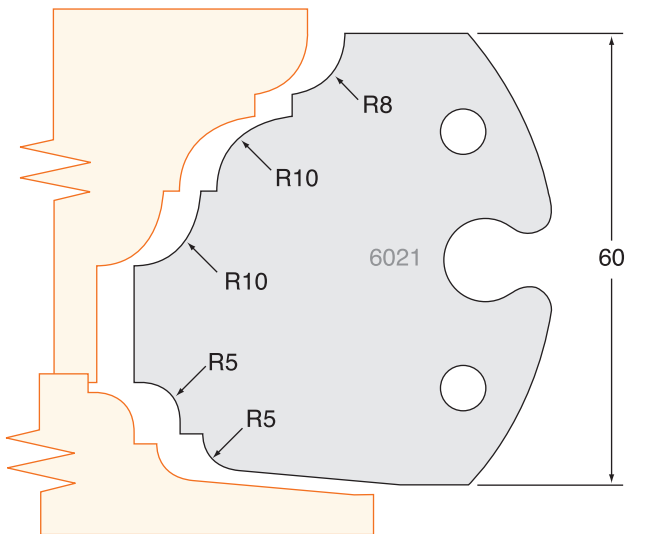
Kn IT/330 166 0
Li IT/340 166 0



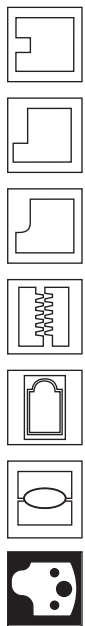
Kn IT/330 196 0
Li IT/340 196 0



Kn IT/330 206 0
Li IT/340 206 0



Kn IT/330 216 0
Li IT/340 216 0



All images are actual size.

