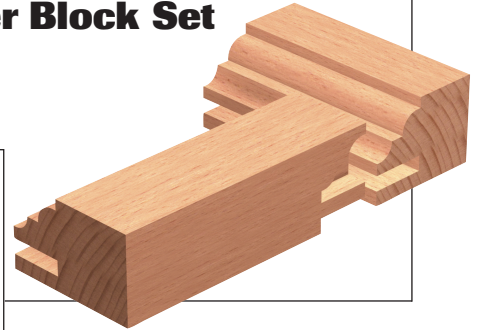
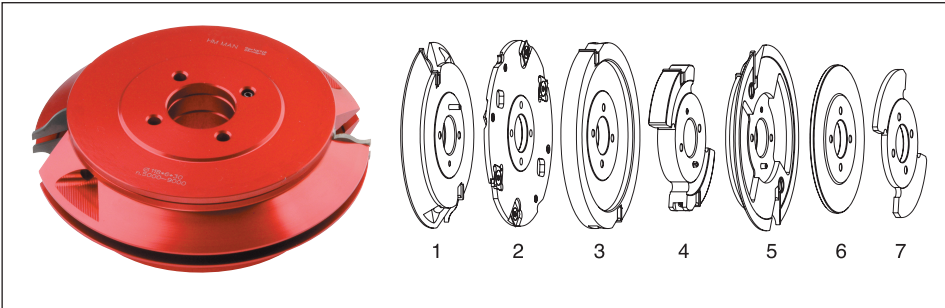




Disposable Insert Profile - Counter/Profile Cutter Block Set

Cutterhead set in hard wearing aluminium, complete with disposable tungsten carbide knives. Suitable for producing various profile / counter profile joints in softwood, hardwood and man-made boards by using combinations of the supplied cutters.



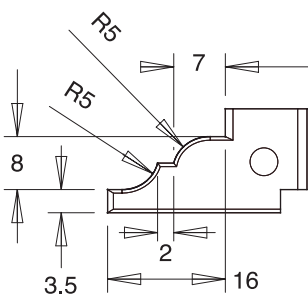
Set No.	øD	Product Ref.	Cutters in set	ød	Profile type	n
Set 1	150	IT/742 020 1	1,2,3,4,2x6,7	30	A,B	5,000 - 9,000
Set 1	150	IT/742 020 7	1,2,3,4,2x6,7	1 1/4"	A,B	5,000 - 9,000
Set 2	150	IT/742 021 1	1,2,3,4,5,2x6,2x7	30	A,B,C	5,000 - 9,000
Set 2	150	IT/742 021 7	1,2,3,4,5,2x6,2x7	1 1/4"	A,B,C	5,000 - 9,000

Please note: Set 1 & 2 come complete with profile 1.

Cutter No.	øD	Product Ref.	B	Profile	ød	n	z
1	150	IT/742 011 1	16	1,2,3,4	30	5,000 - 9,000	2
	150	IT/742 111 1	16	1	30	5,000 - 9,000	2
	150	IT/742 211 1	16	2	30	5,000 - 9,000	2
	150	IT/742 311 1	16	3	30	5,000 - 9,000	2
	150	IT/742 411 1	16	4	30	5,000 - 9,000	2
2	150	IT/742 012 1	5		30	5,000 - 9,000	4
	150	IT/742 013 1	15		30	5,000 - 9,000	2
	118	IT/742 014 1	15		30	5,000 - 9,000	2
	150	IT/742 015 1	16	1,2,3,4L	30	5,000 - 9,000	2
5	150	IT/742 115 1	16	1L	30	5,000 - 9,000	2
	150	IT/742 215 1	16	2L	30	5,000 - 9,000	2
	150	IT/742 315 1	16	3L	30	5,000 - 9,000	2
	150	IT/742 415 1	16	4L	30	5,000 - 9,000	2
	6	118	IT/742 016 1	6		30	
7	118	IT/742 017 1	5		30		

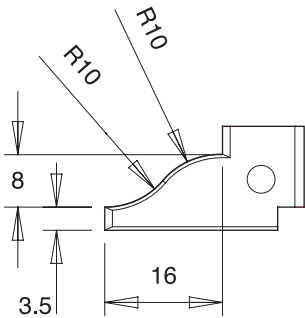
Profiles for Cutters No. 1 & 5.

Profile 1



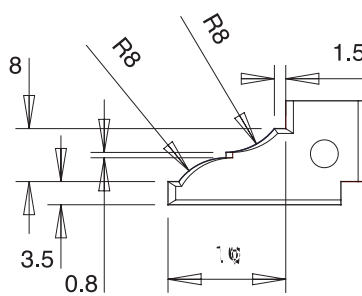
IT/311 751 1
IT/311 751 1L

Profile 2



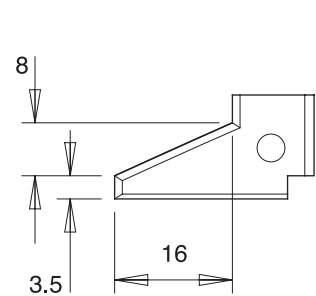
IT/311 751 0
IT/311 751 0L

Profile 3



IT/311 751 2
IT/311 751 2L

Profile 4



IT/311 751 3
IT/311 751 3L