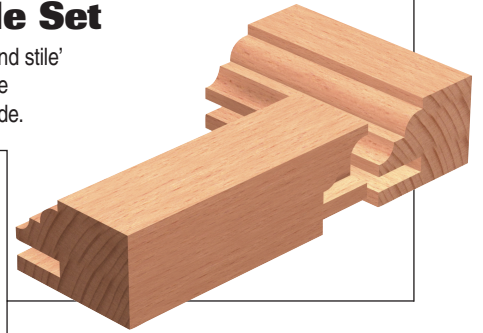
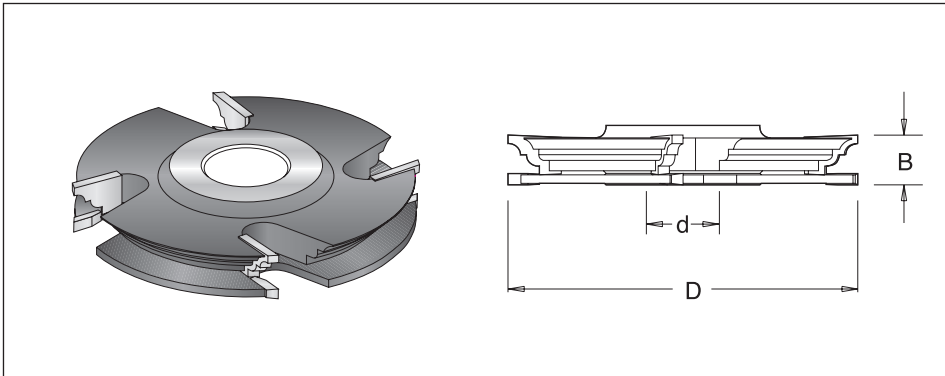




### Tungsten Carbide Tipped Profile - Counter/Profile Set

Two piece steel cutterhead set complete with four tungsten carbide tips. Suitable for producing complete 'rail and stile' joints in softwood, hardwood and man-made boards on a spindle moulder. Reversing the cutters on the spindle moulder (see illustration) makes both the rail and stile. Set comes with necessary washer and ball bearing guide.



	øD	Product Ref.	B	ød	n
Complete Set	125	IT/711 011 1	20	30	6,100 - 10,500
Profile Cutter	125	IT/711 012 1	15	30	6,100 - 10,500
Groove Cutter	125	IT/711 019 1	4	30	6,100 - 10,500

#### Spare Parts

Desc.	Washer	Ball Bearing Guide
Product Ref.	IT/192 737 1	IT/711 016 1
Size	47x4	103x30x15

