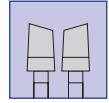


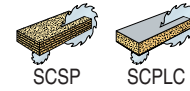
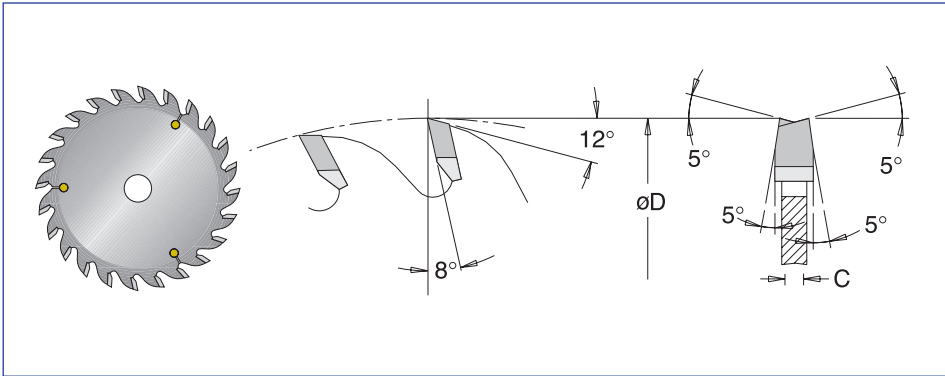
## Conical Scoring Sawblades

Conical alternate bevel tooth scoring sawblade for scoring the underside of single or stacked boards (chipboard, MDF etc.) with, or without, double-sided laminate. Suitable for use on a panel sizing machine with pressure beam.



**Laminated Boards**

**Conical Alternate Bevel**



øD	Teeth	Product Ref.	B Main Saw	C	ø bore
100	20	IT/906 00 41 3	3.2	2.2	20
100	20	IT/906 00 41 4	3.2	2.2	22
100	20	IT/906 00 51 3	3.0	2.2	20
100	20	IT/906 00 51 4	3.0	2.2	22
120	24	IT/906 00 44 3	2.8	2.2	20
120	24	IT/906 00 44 4	2.8	2.2	22
120	24	IT/906 00 45 3	3.2	2.2	20
120	24	IT/906 00 45 4	3.2	2.2	22
125	24	IT/906 00 69 3	3.2	2.8	20
125	24	IT/906 00 69 4	3.2	2.8	22

**!** The cutting width is adjusted by raising or lowering the conical scorer.

