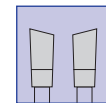
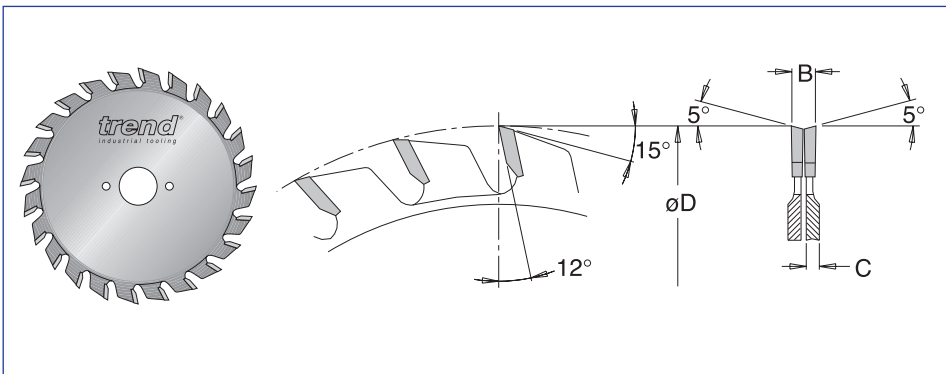


### Adjustable Scoring Sawblades

Alternate bevel adjustable scorer for scoring the underside of double-sided laminated boards (chipboard, MDF etc). Blade scores with feed thickness is adjusted by adding or removing spacers. Suitable for use on a panel sizing machine.



**Laminated Boards**  
**Alternate Bevel**



øD	Teeth	Product Ref.	B	C	ø bore
80	2x10	IT/906 00 09 3	2.8 - 3.6	2.0	20
100	2x12	IT/906 00 10 3	2.8 - 3.6	2.0	20
100	2x12	IT/906 00 10 4	2.8 - 3.6	2.0	22
120	2x12	IT/906 00 30 3	2.8 - 3.6	2.0	20
120	2x12	IT/906 00 30 4	2.8 - 3.6	2.0	22
125	2x12	IT/906 00 40 3	2.8 - 3.6	2.0	20
125	2x12	IT/906 00 40 4	2.8 - 3.6	2.0	22

**!** Cutting width adjusted by adding or removing shims.