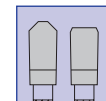


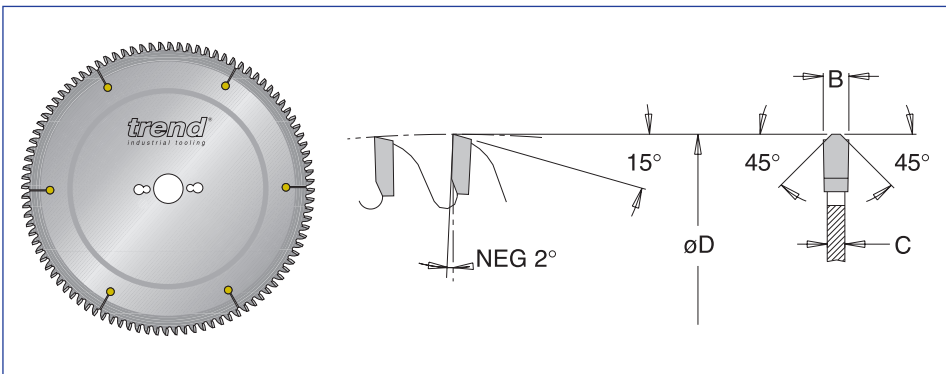
Plastic Trimming & Sizing Sawblades

Triple chip sawblade for cutting acrylic sheets, Plexiglas and thermoplastic profiles. Negative rake tooth from reduces the possibility of 'chip weld' or 'melting' of material. Suitable for use on a table saw.



Plastic Sheets

**Triple Chip
Medium/Fine Finish**



øD	Teeth	Product Ref.	B	C	ø bore
250	80	IT/901 07 03 6	2.5	1.8	30
300	96	IT/901 07 06 6	3.3	2.6	30
350	108	IT/901 07 09 6	3.7	3.0	30

