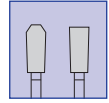


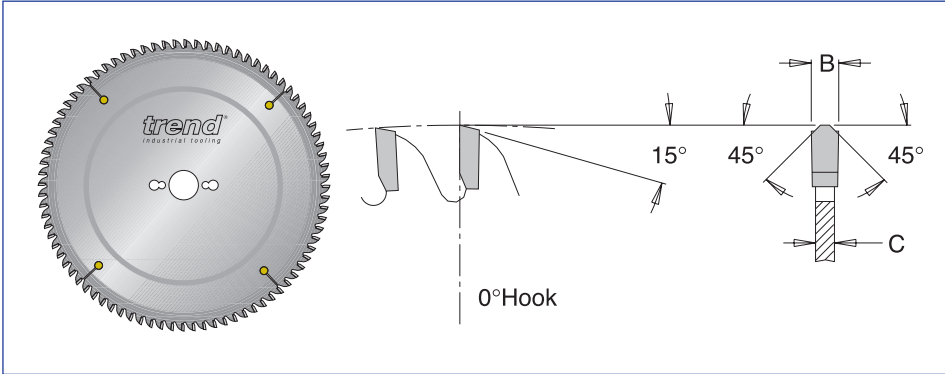
### Trimming & Sizing Sawblades

Triple chip sawblade for trimming and cross cutting with a fine finish on double-sided plastic laminated boards (chipboard, MDF etc). Suitable for use on a radial arm or table saw.



**Laminated Boards**

**Triple Chip  
Fine Finish**



øD	Teeth	Product Ref.	B	C	ø bore
250	72	IT/901 41 65 6	3.2	2.4	30
300	84	IT/901 41 75 6	3.2	2.4	30
350	96	IT/901 41 85 6	3.3	2.5	30
400	108	IT/901 41 95 6	3.3	2.5	30

**!** Suitable for radial arm saws.

