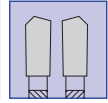
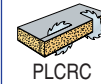
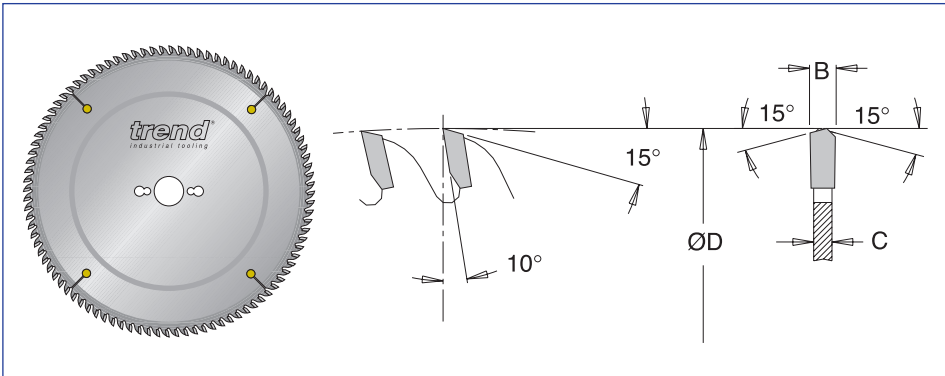


### Trimming & Sizing Extended Life Sawblades

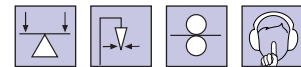
Special chamfered tip sawblade for trimming with a fine finish on single sided laminated boards (chipboard, MDF etc). Chamfer makes a stronger tip, which, along with the **MAX** production process, gives maximum durability when machining abrasive materials. See page 3 for full details of **MAX** quality. Used in combination with a scoring blade for fine finish on double-sided laminated boards. Suitable for use on a table saw.



**Laminated Boards**  
**Chamfered Tip**  
**Fine Finish**

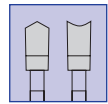


øD	Teeth	Product Ref.	B	C	ø bore
300	96	IT/950 05 85 6	3.2	2.2	30

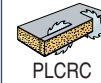
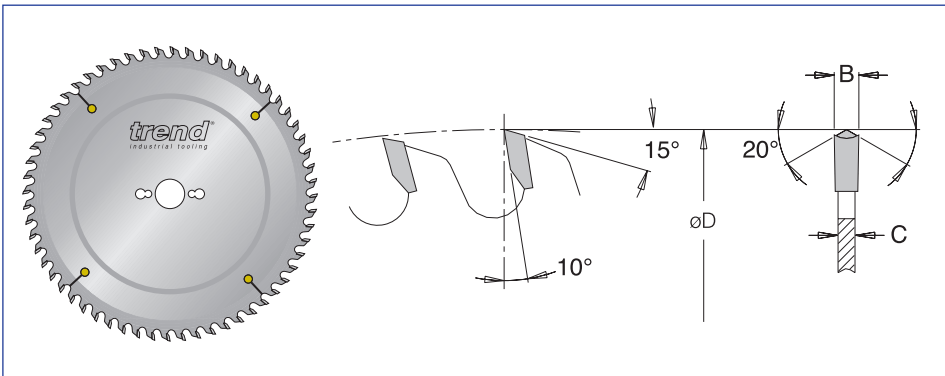


### Trimming & Sizing Sawblades

Hollow/pointed tooth sawblade for trimming with a super fine finish on single sided laminated boards (chipboard, MDF etc). Tooth form allows blade to machine double-sided laminated boards without a scoring blade. Suitable for use on a table saw.



**Laminated Boards**  
**Hollow/Point**  
**Super Fine Finish**



øD	Teeth	Product Ref.	B	C	ø bore
253	48	IT/901 10 10 6	3.2	2.2	30
303	60	IT/901 10 25 6	3.3	2.4	30
350	72	IT/901 10 30 6	3.2	2.2	30

