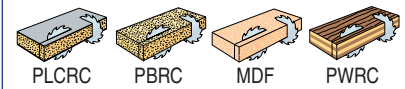
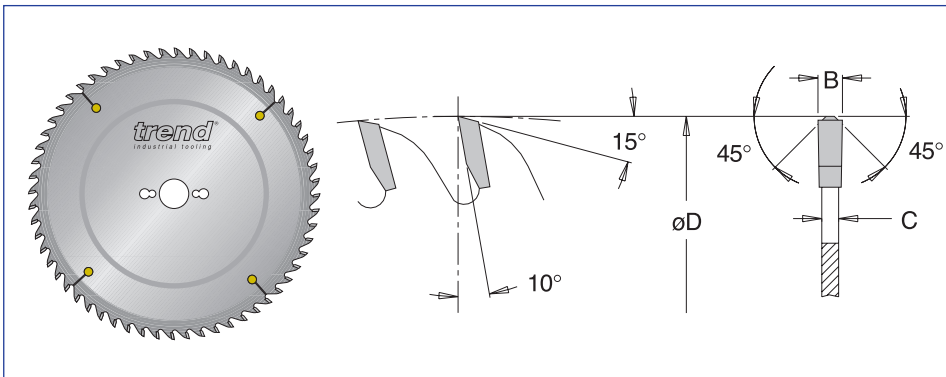


### Trimming & Sizing Extended Life Sawblades

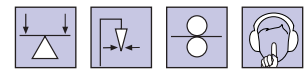
Triple chip sawblade for trimming and cross cutting with a medium/fine finish on single sided laminated boards (chipboard, MDF etc). Used in combination with a scoring blade for fine finish on double-sided laminated boards. Revolutionary new production process gives blade a much higher durability. See page 3 for full details of **MAX** quality. Suitable for use on a table saw.



**Laminated Boards**  
**Triple Chip**  
**Medium/Fine Finish**

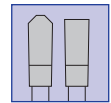


øD	Teeth	Product Ref.	B	C	ø bore
250	60	IT/950 04 80 6	3.2	2.2	30
250	80	IT/950 06 10 6	3.2	2.2	30
300	72	IT/950 04 90 6	3.2	2.2	30
300	96	IT/950 06 20 6	3.2	2.2	30
350	72	IT/950 04 95 6	3.5	2.5	30
350	84	IT/950 05 00 6	3.5	2.5	30
350	108	IT/950 06 30 6	3.5	2.5	30

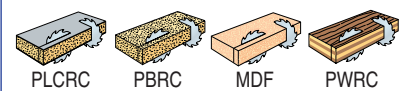
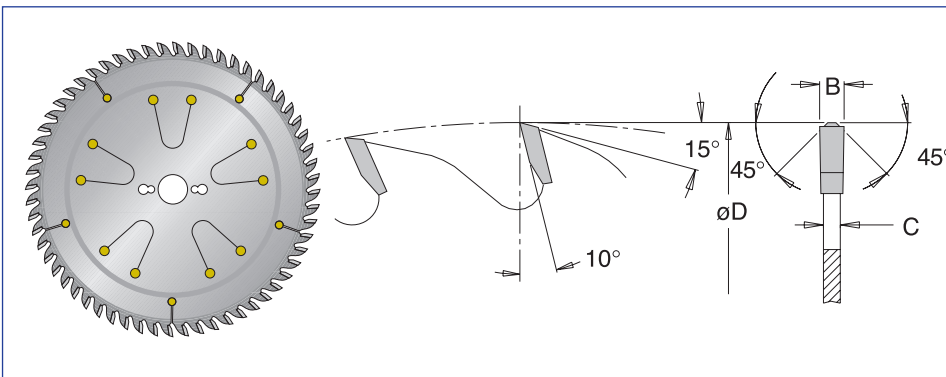


### Trimming & Sizing Quiet Sawblades

Triple chip sawblade for trimming and cross cutting with a medium/fine finish on single sided laminated boards (chipboard, MDF etc). Used in combination with a scoring blade for fine finish on double-sided laminated boards. Special sound dampening slots reduce the noise made by the sawblade during use. Suitable for use on a table saw.



**Laminated Boards**  
**Triple Chip**  
**Fine Finish**



øD	Teeth	Product Ref.	B	C	ø bore
250	60	IT/940 04 80 6	3.2	2.2	30
250	80	IT/940 06 10 6	3.0	2.2	30
300	70	IT/940 04 90 6	3.2	2.2	30
300	100	IT/940 06 20 6	3.2	2.2	30

