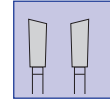
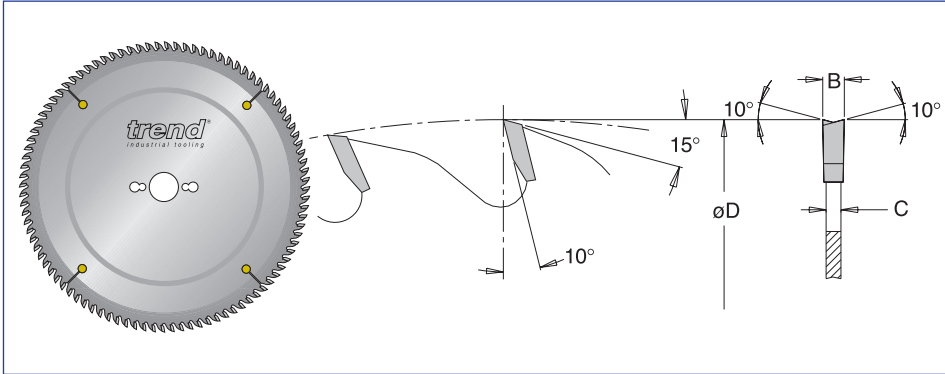


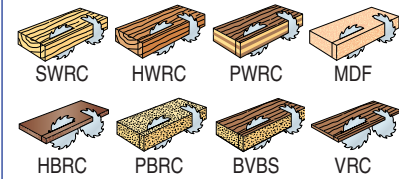
## Trimming & Sizing Sawblades

Alternate bevel sawblade for trimming and cross cutting with a fine finish on solid soft woods, hard woods and man made veneered boards. Suitable for use on a table saw.



### Boards & Veneered Boards

**Alternative Bevel  
Fine Finish**



øD	Teeth	Product Ref.	B	C	ø bore
250	60	IT/901 04 10 6	3.2	2.2	30
250	80	IT/901 05 70 6	3.2	2.2	30
300	60	IT/901 04 20 6	3.2	2.2	30
300	72	IT/901 04 30 6	3.2	2.2	30
300	96	IT/901 05 80 6	3.2	2.2	30
350	72	IT/901 04 40 6	3.5	2.5	30
350	84	IT/901 04 50 6	3.5	2.5	30
350	108	IT/901 05 90 6	3.5	2.5	30
400	96	IT/901 04 60 6	3.5	2.5	30
400	120	IT/901 06 00 6	3.5	2.5	30
450	108	IT/901 04 62 6	4.0	2.8	30
450	132	IT/901 06 03 6	4.0	2.8	30
500	120	IT/901 04 63 6	4.4	3.0	30

