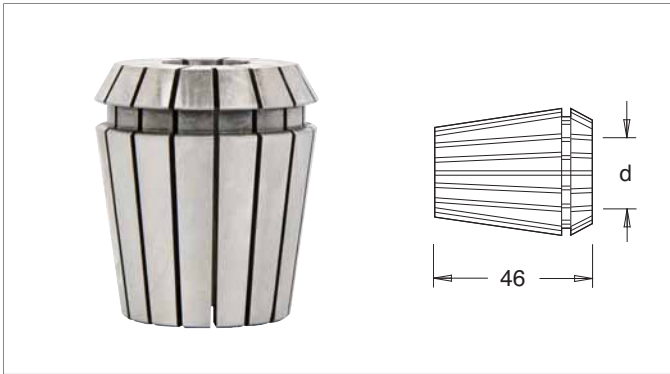


COLLETS FOR ER40 NUT

- High precision 16 slot collets to DIN6499.
- Suitable for the range of CNC chucks shown on page 139.
- Clamping range to 26mm.



for Shank ød	Tolerance	Product Ref.	Stock	Price
4	4-3	IT/615 060	Y	£22.79
5	5-4	IT/615 061	Y	£22.79
6	6-5	IT/615 062	Y	£22.79
6.35 (1/4")	-	IT/615 405	Y	£26.49
7	7-6	IT/615 063	Y	£22.79
8	8-7	IT/615 064	Y	£22.79
9	9-8	IT/615 065	Y	£22.79
9.5 (3/8")	-	IT/615 410	Y	£26.49
10	10-9	IT/615 007	Y	£22.79
11	11-10	IT/615 031	Y	£22.79
12	12-11	IT/615 032	Y	£22.79
12.7 (1/2")	-	IT/615 415	Y	£26.49
13	13-12	IT/615 006	Y	£22.79
14	14-13	IT/615 070	Y	£22.79
15	15-14	IT/615 005	Y	£22.79
16	16-15	IT/615 030	Y	£22.79
17	17-16	IT/615 073	Y	£22.79
18	18-17	IT/615 074	Y	£22.79
19	19-18	IT/615 004	Y	£22.79
20	20-19	IT/615 003	Y	£22.79
21	21-20	IT/615 077	Y	£22.79
22	22-21	IT/615 078	Y	£22.79
23	23-22	IT/615 079	Y	£22.79
24	24-23	IT/615 080	Y	£22.79
25	25-24	IT/615 002	Y	£22.79
26	26-25	IT/615 001	Y	£22.79

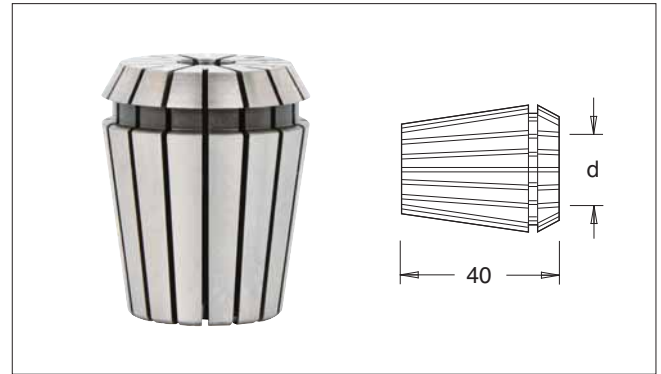
ER40 COLLET COMPLETE SET

- 23 piece set of high precision 16 slot collets to DIN6499.
- Suitable for the range of CNC chucks shown on page 139.
- Clamping range to 26mm.

Diameters ød	Product Ref.	Stock	Price
4, 5, 6, 7, 8, 9, 10, 11, 12, 13, 14, 15, 16, 17, 18, 19, 20, 21, 22, 23, 24, 25, 26	IT/615 091	Y	£511.78

COLLETS FOR ER32 NUT

- High precision 16 slot collets to DIN6499.
- Suitable for the range of CNC chucks shown on page 139.
- Clamping range to 20mm.



for Shank ød	Tolerance	Product Ref.	Stock	Price
3	3-2	IT/615 040	Y	£14.99
4	4-3	IT/615 041	Y	£14.99
5	5-4	IT/615 042	Y	£14.99
6	6-5	IT/615 043	Y	£14.99
6.35 (1/4")	-	IT/615 305	Y	£18.91
7	7-6	IT/615 044	Y	£14.99
8	8-7	IT/615 012	Y	£14.99
9	9-8	IT/615 046	Y	£14.99
9.5 (3/8")	-	IT/615 310	Y	£18.91
10	10-9	IT/615 010	Y	£14.99
11	11-10	IT/615 048	Y	£14.99
12	12-11	IT/615 049	Y	£14.99
12.7 (1/2")	-	IT/615 315	Y	£18.91
13	13-12	IT/615 009	Y	£14.99
14	14-13	IT/615 051	Y	£14.99
15	15-14	IT/615 008	Y	£14.99
16	16-15	IT/615 053	Y	£14.99
17	17-16	IT/615 054	Y	£14.99
18	18-17	IT/615 055	Y	£14.99
19	19-18	IT/615 056	Y	£14.99
20	20-19	IT/615 011	Y	£14.99

ER32 COLLET COMPLETE SET

- 18 Piece Set of high precision 16 slot collets to DIN6499.
- Suitable for the range of CNC chucks shown on page 139.
- Clamping range to 20mm.

Diameters ød	Product Ref.	Stock	Price
3, 4, 5, 6, 7, 8, 9, 10, 11, 12, 13, 14, 15, 16, 17, 18, 19, 20	IT/615 090	Y	£163.10

ADJUSTABLE ASSEMBLING DEVICE

- Adjustable Assembling Device for SK30, SK40 and HSK-63F tool holders.
- Device allows safe clamping and un-clamping of tools into different types of tool holder.
- Adjustable from 0° to 90°.

For Tool Holders	d	Product Ref.	Price
SK40/BT40	63.5	IT/642 002	£249.00
HSK 63 F/HSK 63 E	63	IT/642 003	£199.20

