

# DISPOSABLE INSERT TONGUE & GROOVE ROUTER CUTTER - 12.7MM SHANK

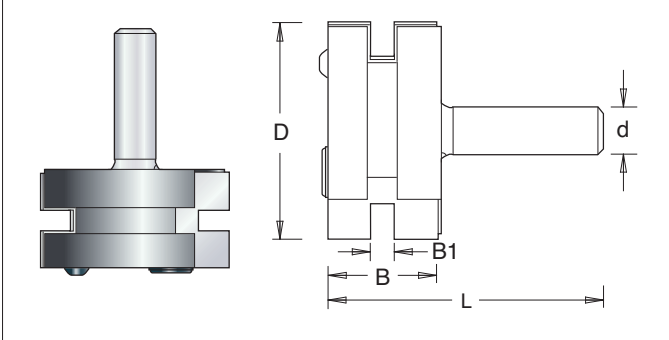
- Complete with two cutting flutes.
- Suitable for producing tongue and groove profile joints in softwood, hardwood and man-made board.
- Replaceable inserts ensure a constant cutting diameter and finish quality.
- The cutter includes a fine adjustment to ensure a perfect fit on the joint.
- For use on routers and light machining centres with CNC control.
- Recommended RPM (n): 18,000.



### Complete Sets

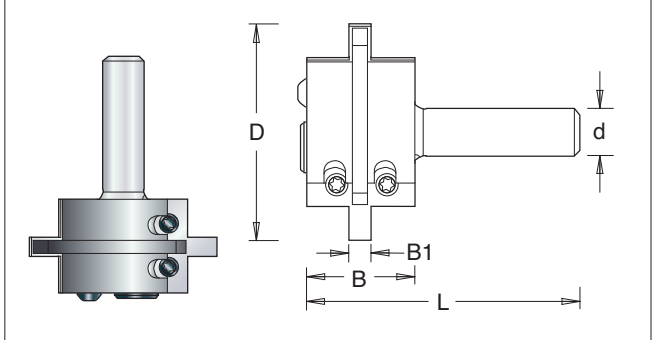
	øD	B	B1	L	ød	Product Ref	Stock	Price
Set 1	60	30	5.4-6.0	75	12.7	IT/845 021 8	Y	£241.67
Set 2	60	30	6.1-6.6	75	12.7	IT/845 116 8	Y	£241.67

Router Cutter A

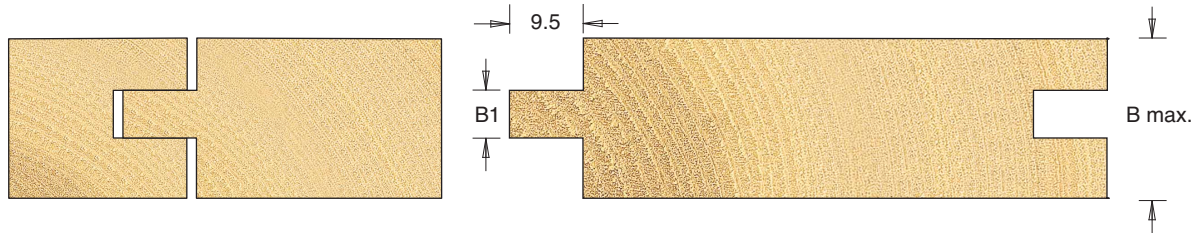
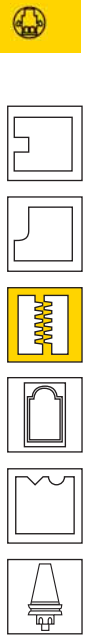


øD	B	B1	L	ød	Product Ref	Stock	Price
60	30	5.4-6.0	75	12.7	IT/845 019 8	Y	£124.45
60	30	6.1-6.6	75	12.7	IT/845 006 8	Y	£124.45

Router Cutter B



øD	B	B1	L	ød	Product Ref	Stock	Price
60	30	5.4-6.0	75	12.7	IT/845 020 8	Y	£124.45
60	30	6.1-6.6	75	12.7	IT/845 016 8	Y	£124.45



### SPARE PARTS

	B1 = 5.4 - 6.0	B1 = 5.4 - 6.0					
Desc.	T.C. Blade A	T.C. Blade B	Torx® Screw	Torx® Screw	Hex Screw	Hex Key	Torx® Key
Ref.	IT/314 500 5	IT/314 501 5	IT/193 364 8	IT/193 148 1	IT/193 072 0	IT/194 020 0	IT/194 101 5
Size	30x22x2	30x22x2	3.5x4.8	M4x5.6	M6x12.5	S2	T-15
Price	£36.52	£36.52	£1.62	£1.61	£1.86	£1.62	£3.14

	B1 = 6.1 - 6.6	B1 = 6.1 - 6.6					
Desc.	T.C. Blade A	T.C. Blade B	Torx® Screw	Torx® Screw	Hex Screw	Hex Key	Torx® Key
Ref.	IT/314 501 8	IT/314 501 9	IT/193 364 8	IT/193 148 1	IT/193 072 0	IT/194 020 0	IT/194 101 5
Size	30x22x2	30x22x2	3.5x4.8	M4x5.6	M6x12.5	S2	T-15
Price	£36.52	£36.52	£1.62	£1.61	£1.86	£1.62	£3.14