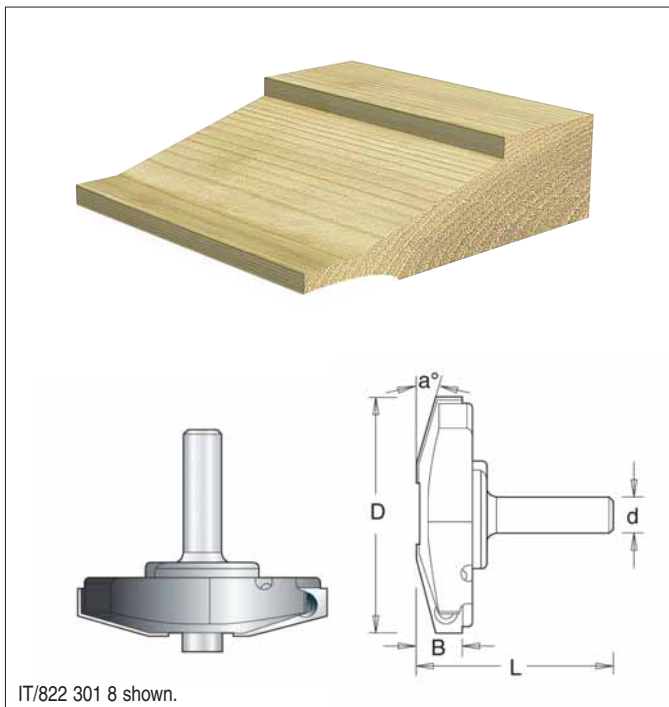
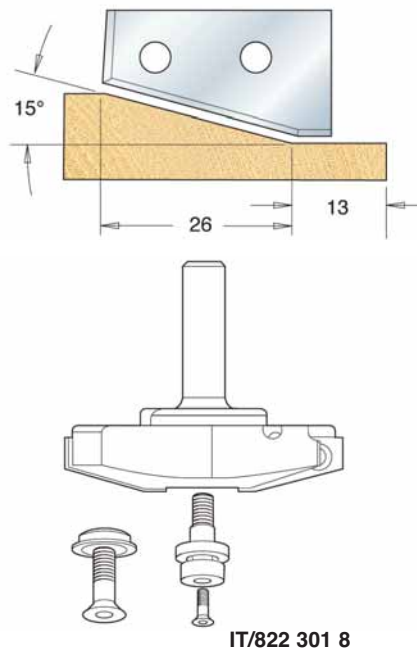


# DISPOSABLE INSERT RAISED BEVEL PANEL ROUTER CUTTERS - 12.7MM SHANK

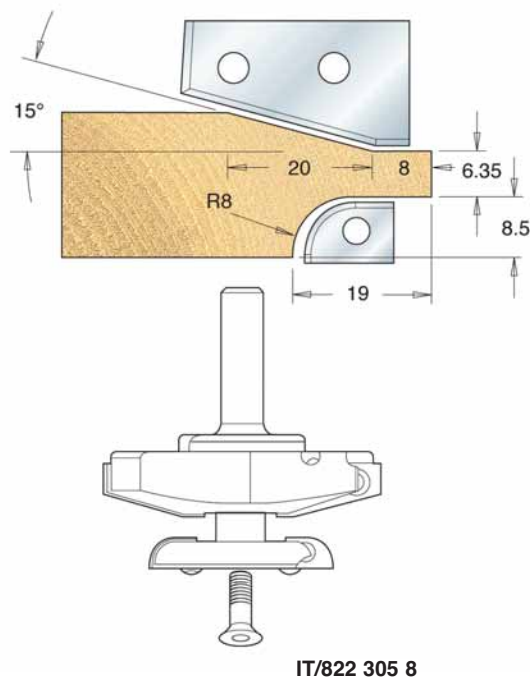
- Complete with two cutting flutes.
- Suitable for producing raised panel profiles in softwood, hardwood and man-made board.
- Replaceable inserts ensure a constant cutting diameter and finish quality.
- The cutter can be supplied with, or without the under cutter. Tool without under cutter comes complete with ball bearing set and anti-dust plug.
- For use on routers and light machining centres with CNC control.
- Recommended RPM (n): 12,000.



Without Under Cutter



With Under Cutter



øD	a	B	L	ød	Product Ref	Stock	Price
85.8	15°	20.2	71	12.7	IT/822 301 8	Y	£134.94
85.8	15°	20.2	71	12.7	IT/822 305 8*	N	£251.00

⚠ \* IT/822 305 8 is supplied complete with under cutter fitted.

⚠ Remove bearing for CNC work.



## SPARE PARTS

Desc.	T.C. Blade	Torx® Screw	Torx® Key	Under Cutter	T.C. Blade	Ball Bearing Set	Torx Screw®	Torx Key®
Ref.	IT/312 200 1	IT/193 148 2	IT/194 101 5	IT/822 501 0	IT/312 200 3	IT/190 870 0	IT/193 400 0	IT/194 110 0
Size	31x17x2	M4x5.6	T-15	54x26.7x1/2"	13.9x9.5x2xR8	12.7x4.7x5xM6	M3x4	T-9
Price	£26.19	£1.16	£3.14	£89.22	£14.60	£14.37	£1.67	£2.09