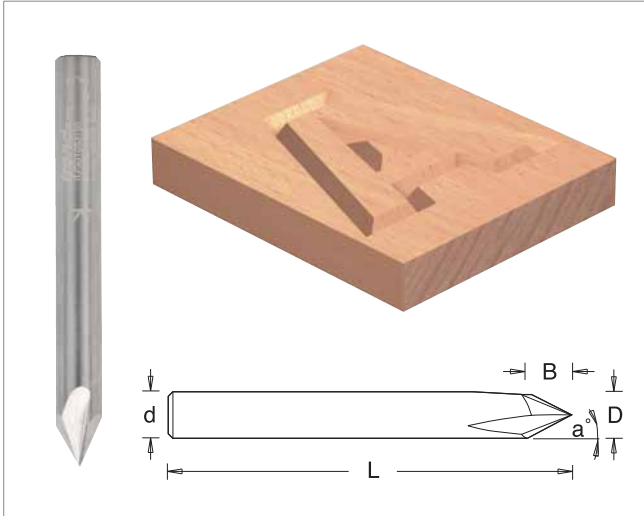


SOLID CARBIDE V-GROOVING & ENGRAVING ROUTER CUTTER - THREE FLUTE

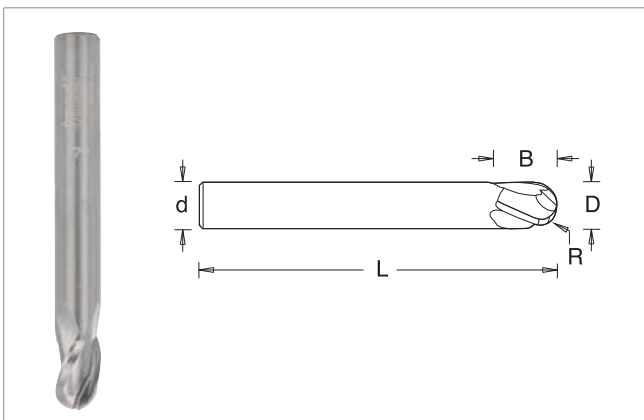
- Suitable for producing v-grooves in softwoods, hardwoods and man-made boards.
- Tool designed for engraving and sign writing.
- For use on routers and machining centres with CNC control.
- Recommended RPM (n): 24,000.



øD	a	B	L	ød	Product Ref.	Stock	Price
8	60°	7	70	8	IT/SO105 315 5	Y	£47.22

SOLID CARBIDE RADIUS GROOVING & ENGRAVING ROUTER CUTTERS - THREE FLUTE

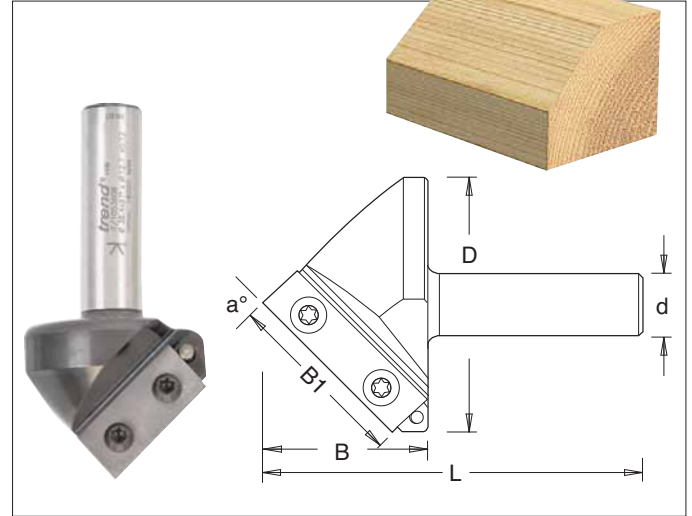
- Suitable for producing round-bottomed grooves in softwoods, hardwoods and man-made boards.
- Tool designed for engraving and 3D carving.
- For use on routers and machining centres with CNC control.
- Recommended RPM (n): 24,000.



øD	R	B	L	ød	Product Ref.	Stock	Price
6	3	9	60	6	IT/SO106 304 3	Y	£42.74
8	4	11	70	8	IT/SO106 308 5	Y	£47.22
10	5	13	80	10	IT/SO106 309 7	Y	£58.03

DISPOSABLE INSERT V GROOVE CUTTERS - 12.7MM SHANK

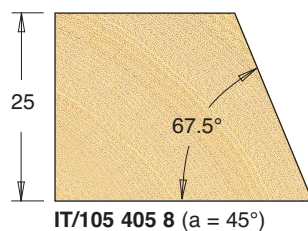
- Complete with one or two cutting flutes.
- Suitable for producing chamfer cuts, grooves and engraving in softwood, hardwood and man-made board.
- Replaceable inserts ensure a constant cutting diameter and finish quality.
- For use on routers and machining centres with CNC control.
- Recommended RPM (n): 18,000.



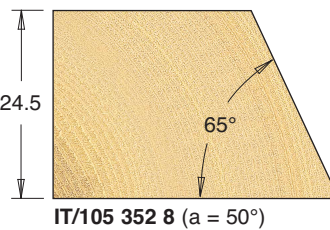
Ød = 12.7mm

øD	a	B	B1	L	Z	Product Ref.	Stock	Price
20.8	45°	25.0	27.0	60.3	1	IT/105 405 8	Y	£50.61
22.8	50°	24.5	27.0	65	1	IT/105 352 8	Y	£53.47
26.0	60°	23.4	27.0	60.4	1	IT/105 406 8	Y	£56.74
31.0	70°	22.1	27.0	66	1	IT/105 356 8	Y	£57.88
38.4	91°	19.0	27.0	76.5	1	IT/105 360 8	Y	£81.47
38.4	90°	19.0	27.0	76.5	1	IT/105 361 8	Y	£79.88
41.2	100°	17.3	27.0	81	1	IT/105 362 8	Y	£83.15
44.2	110°	15.5	27.0	81	1	IT/105 364 8	Y	£89.74
51.6	120°	14.7	29.8	77.7	2	IT/105 400 8	Y	£106.84
54.0	130°	12.7	29.8	77.0	2	IT/105 366 8	Y	£111.24
57.6	150°	7.6	29.5	75.0	2	IT/105 390 8	Y	£112.29
58.7	160°	5.0	29.8	70.7	2	IT/105 368 8	Y	£117.33

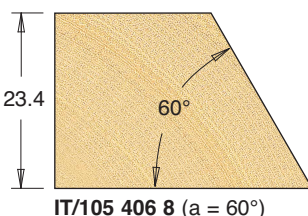
SPARE PARTS



Desc.	T.C. Blade	Torx® Screw
Ref.	IT/310 523 0	IT/193 354 8
Size	27x9x1.5	M3.5x4.8
Price	£18.30	£1.62



Ref.	IT/310 523 0	IT/193 354 8
Size	27x9x1.5	M3.5x4.8
Price	£18.30	£1.62



Ref.	IT/310 523 0	IT/193 354 8
Size	27x9x1.5	M3.5x4.8
Price	£18.30	£1.62