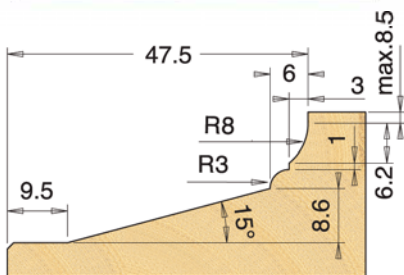


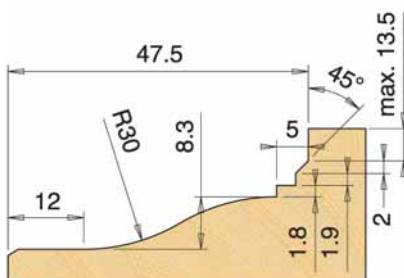
PROFILE 3

| | |
|------------|--------------|
| Prod. Ref. | IT/352 220 3 |
| Size | 50x30.5x2 |
| Price | £34.22 |



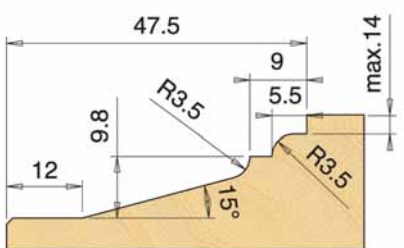
PROFILE 4

| | |
|------------|--------------|
| Prod. Ref. | IT/352 220 4 |
| Size | 50x30.5x2 |
| Price | £34.22 |



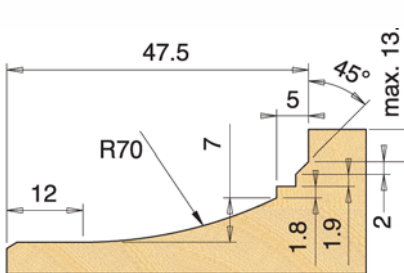
PROFILE 5

| | |
|------------|--------------|
| Prod. Ref. | IT/352 220 5 |
| Size | 50x30.5x2 |
| Price | £34.22 |



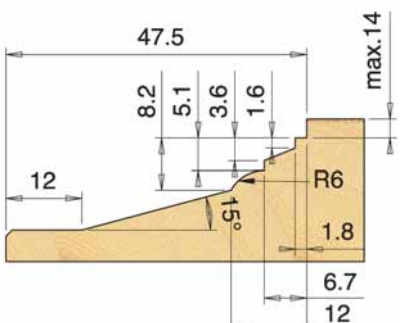
PROFILE 6

| | |
|------------|--------------|
| Prod. Ref. | IT/352 220 6 |
| Size | 50x30.5x2 |
| Price | £34.22 |



PROFILE 7

| | |
|------------|--------------|
| Prod. Ref. | IT/352 220 7 |
| Size | 50x30.5x2 |
| Price | £34.22 |



PROFILE 8

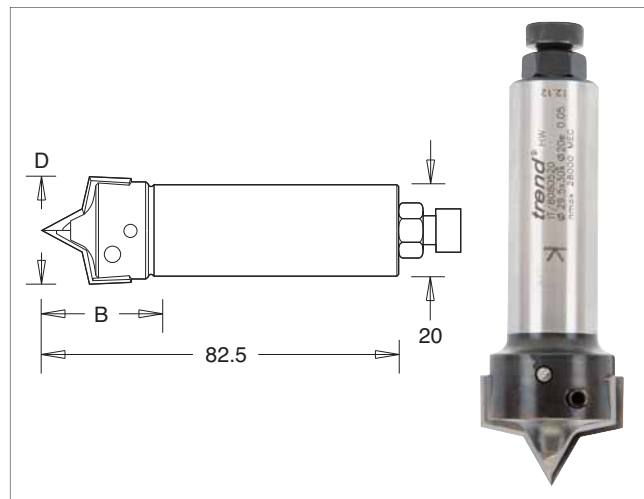
| | |
|------------|--------------|
| Prod. Ref. | IT/352 220 8 |
| Size | 50x30.5x2 |
| Price | £34.22 |

SPARE PARTS

| | | | | |
|------------|--------------|--------------|--------------|--------------|
| Desc. | | | | |
| Prod. Ref. | IT/193 148 1 | IT/194 101 5 | IT/193 039 5 | IT/194 020 0 |
| Size | M4x5.6 | T15 | M4x5 | S2 |
| Price | £1.61 | £3.14 | £1.05 | £1.62 |

DISPOSABLE INSERT MULTI PROFILE ROUTER CUTTERS - TWO FLUTE

- Suitable for producing various profiles in softwoods, hardwoods and man-made boards.
- Tool supplied with standard inserts (B51 – B55).
- For use on routers and machining centres with CNC control.
- Recommended RPM (n): 28,000.



| øD | a | R | Profile | Product Ref. | Stock | Price |
|------|-----|------|---------|--------------|-------|---------|
| 29.5 | 45° | - | B51 | IT/808 051 0 | Y | £166.82 |
| 29.5 | 30° | - | B52 | IT/808 052 0 | Y | £166.82 |
| 29.5 | - | 6.3 | B53 | IT/808 053 0 | Y | £166.82 |
| 29.5 | - | 12.5 | B54 | IT/808 054 0 | Y | £166.82 |
| 29.5 | - | 4.0 | B55 | IT/808 055 0 | Y | £166.82 |

T.C. BLADES

| | | |
|-------------------|-------------------|-------------------|
| | | |
| | | |
| Ref. IT/351 051 0 | Ref. IT/351 050 5 | Ref. IT/351 060 5 |
| Size 31x25x2 | Size 31x25x2 | Size 31x24x2 |
| Price £9.38 | Price £9.38 | Price £9.38 |
| | | |
| | | |
| Ref. IT/351 061 0 | Ref. IT/351 310 5 | |
| Size 31x24x2 | Size 31x24x2 | |
| Price £9.38 | Price £9.38 | |

SPARE PARTS

| | | | |
|--------------|--------------|--------------|--------------|
| Description | | | |
| Product Ref. | IT/199 050 0 | IT/193 049 0 | IT/194 008 0 |
| Size | L=28 | M5x10 | S2.5 |
| Price | £9.43 | £1.62 | £2.09 |