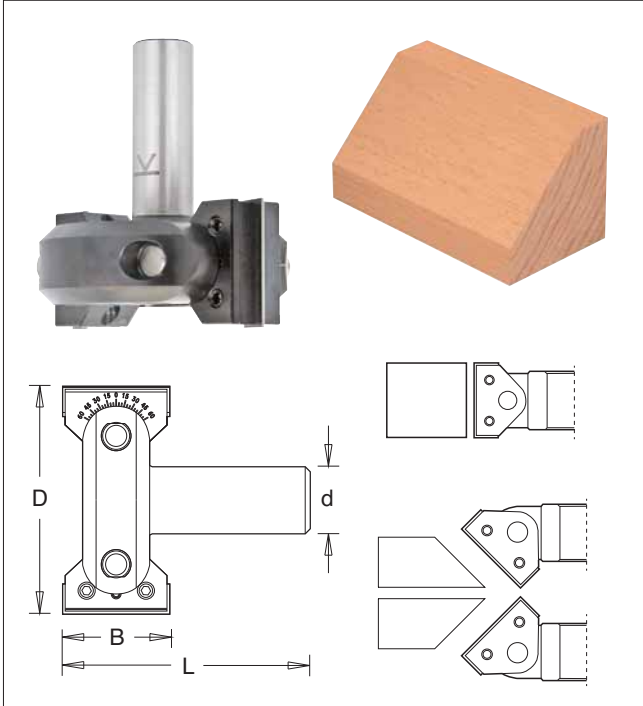


DISPOSABLE INSERT ADJUSTABLE CHAMFER ROUTER CUTTER - TWO FLUTE

- Suitable for producing chamfer cuts at various angles in softwood, hardwood and man-made board.
- Cutting angle can be adjusted in 7.5 degree steps by using a notched scale.
- Fine adjustment of 1 degree is also possible.
- Replaceable inserts ensure a constant cutting diameter and finish quality.
- For use on routers and machining centres with CNC control.
- Recommended RPM (n): 12,000.

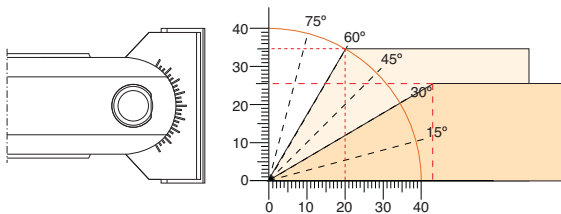


øD	a	B	L	ød	Product Ref.	Stock	Price
85	-45°→+90°	40	100	20	IT/854 001 1	Y	£359.52

SPARE PARTS

Description	T.C. Blade	Wedge	Locking Wedge
Product Ref.	IT/300 052 8/10	IT/199 082 0	IT/199 403 1
Size	40x12x1.5	L=38	25x12
Price	£33.96	£5.92	£12.50

Set Screw		Hex Key	
IT/193 049 4	IT/193 026 5	IT/194 003 5	IT/194 003 6
M6x8	M5x16	S3	S4
£1.05	£1.05	£4.16	£5.22

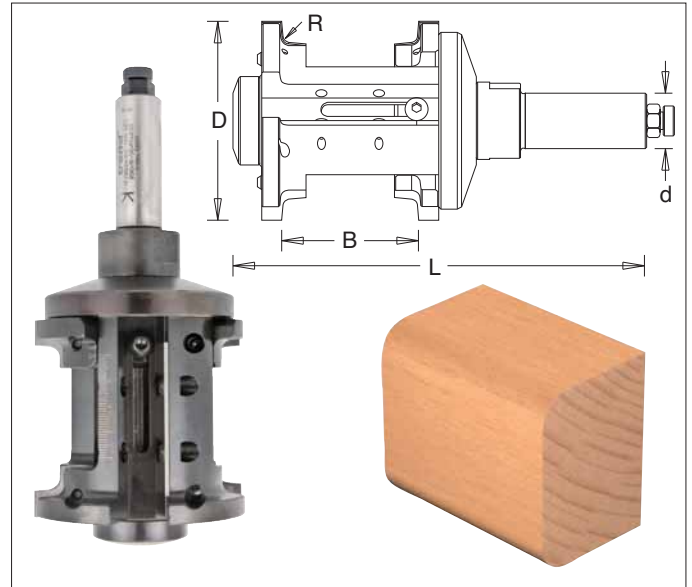


KEY

Spare Blades & Scorers -Product Reference ending in /10 are sold in packs of ten.
 Stock - Y means normally kept in stock for next day delivery.
 N means not normally held in stock, delivery in a short time.

DISPOSABLE INSERT ROUNDING & CHAMFERING CUTTERS - TWO FLUTE

- Suitable for producing round over and chamfer cuts in softwood, hardwood and man-made board.
- Replaceable inserts ensure a constant cutting diameter and finish quality.
- Recommended RPM (n): 10,000.



øD	R	B	L	ød	Product Ref.	Stock	Price
90	3	18-58	186	20	IT/852 413 0	N	£570.27
90	4	18-58	186	20	IT/852 414 0	Y	£570.27
90	5	18-58	186	20	IT/852 415 0	Y	£570.27
90	6	18-58	186	20	IT/852 416 0	Y	£570.27
90	8	20-60	186	20	IT/852 418 0	Y	£581.89
90	10	22-62	186	20	IT/852 420 0	N	£581.89
90	45°*	12-62	186	20	IT/852 421 0	Y	£581.89

*45° tip has 6mm cut length

COMPLETE SET

90	3-10 & 45°	12-62	186	20	IT/852 410 0	Y	£906.06
----	------------	-------	-----	----	--------------	---	---------

SPARE PARTS

Description	T.C. Blade		
	R3	R4	R5
Product Ref. Top	IT/310 896 3	IT/310 896 4	IT/310 896 5
Product Ref. Bottom	IT/310 896 3L	IT/310 896 4L	IT/310 896 5L
Price	£13.79	£13.79	£13.79

T.C. Blade			
R6	R8	R10	45°
IT/310 896 6	IT/310 896 8	IT/310 897 0	IT/310 300 1
IT/310 896 6L	IT/310 896 8L	IT/310 897 0L	IT/310 300 1L
£13.79	£13.79	£13.79	£14.35

T.C. Blade	Torx® Screw	Arbor	Arbor Screw
IT/300 053 1/10	IT/193 395 0	IT/190 810 0	IT/193 608 0
60x12x1.5	M4x6	L=186x20mm	M5x20
£56.32	£1.62	£111.24	£1.67

Hex Screw	Hex Key	Torx® Key	Cover
IT/193 076 0	IT/194 003 6	IT/194 101 5	IT/199 715 0
M6x12	S4	T15	-
£1.67	£5.22	£3.14	£16.57

All prices are exclusive of VAT