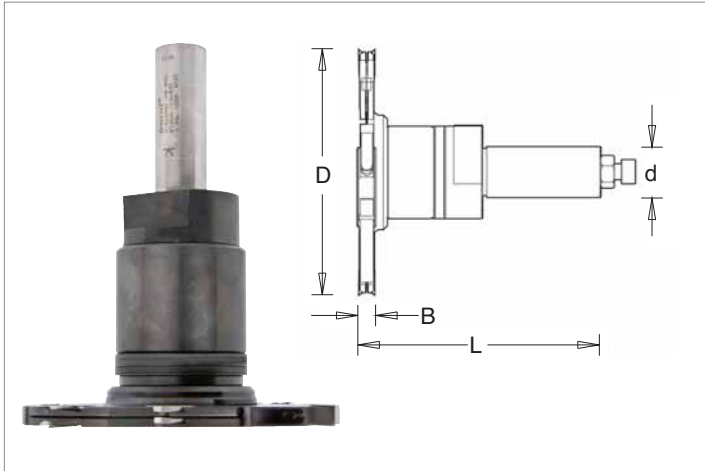


## DISPOSABLE INSERT ADJUSTABLE GROOVING CUTTER (4-15.5MM)

- Hard wearing steel body complete with disposable insert Tungsten Carbide knives and scorers (z2, v4+4).
- Suitable for producing various thickness grooves and slots in softwood, hardwood and man-made board.
- Cutting width can be adjusted by 0.1mm steps by using spacer rings.
- Replaceable inserts ensure a constant cutting diameter and finish quality.
- For use on routers and machining centres with CNC control.



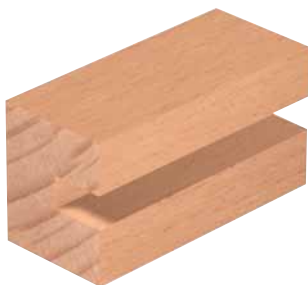
øD	B	L	ød	Product Ref.	Stock	Price
120	4-15.5	139	20	IT/822 055 0	Y	£658.33

### SPARE PARTS

Desc.	TC Blade	Wedge	Set Screw	TC Blade
Prod. Ref.	IT/310 751 2/10	IT/199 031 0	IT/193 060 0	IT/300 850 1/10
Size	7.5x12x1.5	L=6.5	M5x16	18x18x2
Price	£33.96	£7.31	£1.05	£60.71

TC Blade	TC Blade Nut	Torx® Screw	Washer Set
IT/300 850 2/10	IT/192 350 0	IT/192 360 0	IT/193 028 0
14x14x1.2	M4x0.5x11.1	M4x0.5x9.90	M4x3.2
£28.17	£1.05	£1.61	£18.30

Arbor	Arbor Screw	Hex Key	Torx® Key
IT/190 820 0	IT/193 608 0	IT/194 008 0	IT/194 015 0
L=127x20mm	M5x20	S2.5	S4
£105.16	£1.67	£2.09	£1.67



Setting Gauge
IT/760 102 5
0.25mm
£3.38

### KEY

**Spare Blades & Scorers** - Product Reference ending in /10 are sold in packs of ten.  
**Stock** - Y means normally kept in stock for next day delivery.  
 N means not normally held in stock, delivery in a short time.

## SAWBLADES FOR CUTTING & GROOVING

- Tungsten Carbide Tipped alternate bevel sawblade for cutting and grooving along and across the grain.
- Suitable for producing various thickness grooves and slots in softwood, hardwood and man-made board.
- For use on routers and machining centres with CNC control.



øD	B	Teeth	C	ød	Pin Holes	Product Ref.	Stock	Price
125	3	24	2.0	22	-	IT/9010 210 4	Y	£42.47
125	4	24	2.8	22	-	IT/9010 215 4	N	£61.65
125	5	24	3.5	22	-	IT/9010 216 4	N	£78.22
150	4	24	2.8	20	1/6/46	IT/9010 223 3	N	£78.22
150	5	24	3.5	20	1/6/46	IT/9010 224 3	Y	£90.27
180	3	30	2.0	20	1/6/46	IT/9010 230 3	Y	£47.39
180	4	30	2.8	20	1/6/46	IT/9010 231 3	N	£85.34
180	5	30	3.5	20	1/6/46	IT/9010 233 3	Y	£102.44

⚠ Other bore sizes and pin holes available on request.