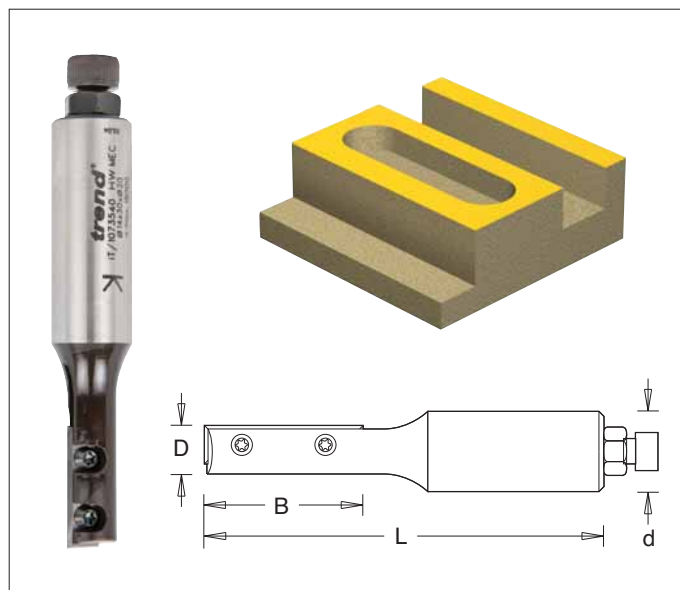


DISPOSABLE INSERT STRAIGHT ROUTER CUTTERS - ONE FLUTE

- Suitable for grooving, rebating and sizing cuts in man-made board (with or without coating).
- Replaceable inserts ensure a constant cutting diameter and finish quality.
- For use on routers and machining centres with CNC control.
- Recommended RPM (n): 18,000.



øD	B	Blade	L	ød	Product Ref.	Stock	Price
14	30	1	105	20	IT/107 354 0	Y	£66.40

⚠ Also available with 25mm diameter shank, replace the last digit with an 'H'.

SPARE PARTS

Description	T.C. Blade 1	T.C. Blade 2	T.C. Blade 3
Product Ref.	IT/310 793 0/10	IT/310 723 0/10	IT/300 752 0/10
Size	30x9x1.5	30x12x1.5	50x9x1.5
Price	£49.96	£36.05	£71.75

T.C. Blade 4	Torx® Screw	Torx® Key
IT/310 725 0/10	IT/193 354 8	IT/194 101 5
50x12x1.5	M3.5x4.8	T15
£50.61	£1.62	£3.14

KEY

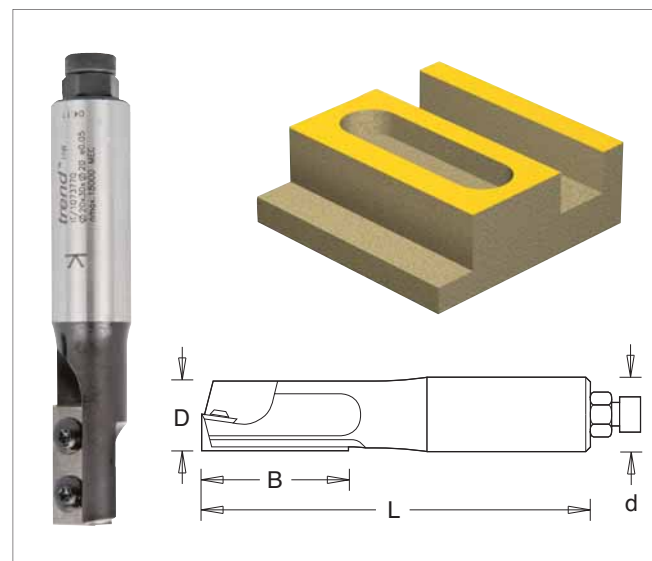
Spare Blades & Scorers - Product Reference ending in /10 are sold in packs of ten.

Stock - Y means normally kept in stock for next day delivery.

N means not normally held in stock, delivery in a short time.

DISPOSABLE INSERT STRAIGHT ROUTER CUTTERS WITH PLUNGE CENTRE TIP - ONE FLUTE

- Suitable for grooving, rebating and sizing cuts in man-made board (with or without coating).
- Replaceable inserts ensure a constant cutting diameter and finish quality.
- Brazed centre tip (16mm diameter) or disposable insert for improved plunging.
- Recommended RPM (n): 18,000. **Not suitable for plunge cutting**



øD	B	L	ød	Product Ref.	Stock	Price
16	30	105	20	IT/107 373 0*	Y	£71.08
18	50	125	20	IT/107 376 0	Y	£79.26
20	30	105	20	IT/107 377 0	Y	£69.93
20	50	125	20	IT/107 398 0	Y	£84.30

⚠ * Brazed centre tip. Also available with 25mm diameter shank, replace the last digit with an 'H'.

SPARE PARTS

Description	T.C. Blade	
Product Ref.	IT/310 723 0/10 (B = 30)	IT/310 725 0/10 (B = 50)
Size	30x12x1.5	50x12x1.5
Price	£36.05	£50.61

Bottom T.C. Blade (B = 30)

IT/310 752 6/10 (D = 18)	IT/310 752 6/10 (D = 20)	IT/310 752 3/10 (D = 25)
7.5x12x1.5	7.5x12x1.5	7.5x12x1.5
£71.85	£71.85	£71.85

Bottom T.C. Blade (B = 50)

IT/310 752 3/10 (D = 18)	IT/310 752 3/10 (D = 20)	IT/310 751 2/10 (D = 25)
7.5x12x1.5	7.5x12x1.5	7.5x12x1.5
£71.85	£71.85	£33.96

Torx® Screw	Torx® Key	
IT/193 395 0	IT/193 354 8	IT/194 101 5
M4x6	M3.5x4.8	T15
£1.62	£1.62	£3.14