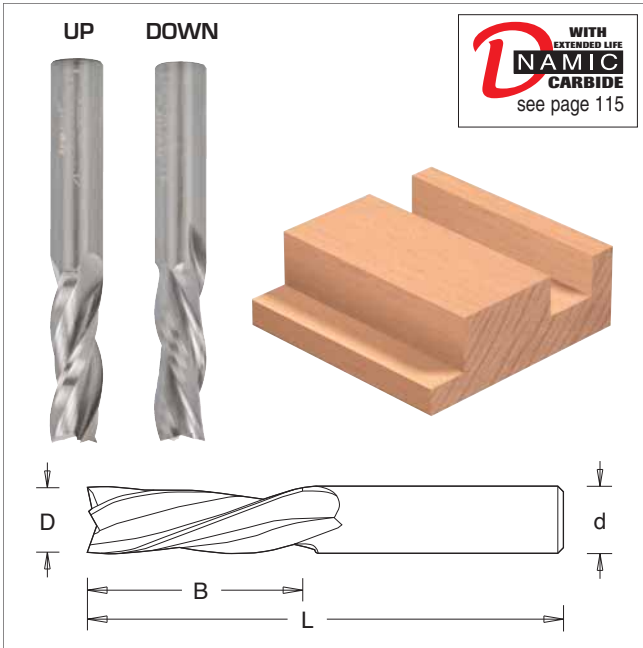


## SOLID CARBIDE FINISHING SPIRALS - THREE FLUTE

- Suitable for extra fine 'finishing' cuts in softwood, hardwood and man-made board (with or without coating).
- **DYNAMIC** Carbide for maximum durability in abrasive material.
- Up-cut spiral for optimum chip flow and improved finish on bottom of board.
- Down-cut for better clamping when machining small workpieces and improved finish on the top of the material.
- For use on routers and machining centres with CNC control.



### UP-CUT

øD	B	L	ød	Product Ref.	Stock	Price
12	52	100	12	IT/173 638 9	Y	£95.05
14	42	100	14	IT/173 670 0	Y	£98.82
16	35	80	16	IT/173 641 0	Y	£98.82
16	52	110	16	IT/173 648 0	Y	£205.89
20	52	120	20	IT/173 656 0	Y	£239.03
20	72	135	20	IT/173 658 0	Y	£269.02

### DOWN-CUT

øD	B	L	ød	Product Ref.	Stock	Price
12	52	100	12	IT/173 938 9	Y	£95.05
14	42	100	14	IT/173 970 0	Y	£98.82
14	55	110	14	IT/173 940 0	Y	£98.82
16	52	110	16	IT/173 948 0	Y	£205.89
20	52	120	20	IT/173 956 0	Y	£239.03
20	72	135	20	IT/173 958 0	Y	£269.02

### KEY

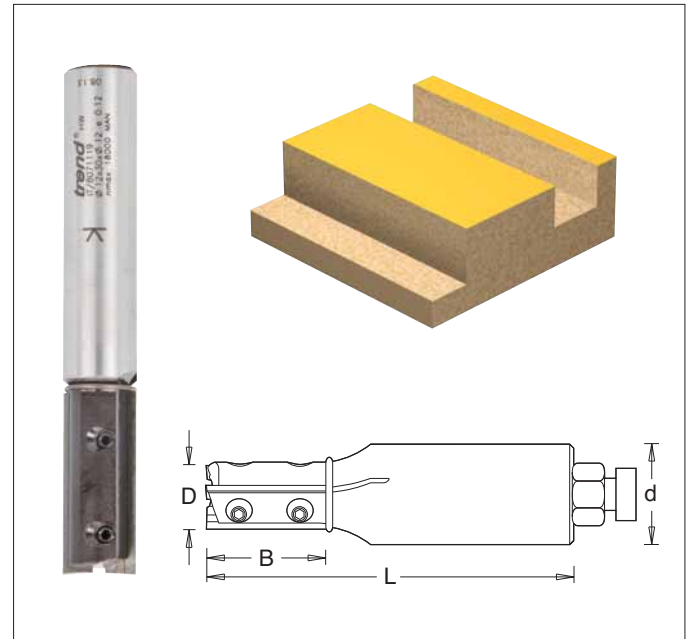
**Spare Blades & Scorers** - Product Reference ending in /10 are sold in packs of ten.

**Stock** - Y means normally kept in stock for next day delivery.

N means not normally held in stock, delivery in a short time.

## DISPOSABLE INSERT STRAIGHT ROUTER CUTTERS - MULTI FLUTE

- Suitable for grooving, rebating and sizing cuts in man-made board (with or without coating).
- Replaceable inserts ensure a constant cutting diameter and finish quality.
- For use on routers and machining centres with CNC control.
- Recommended RPM (n): 18,000.



øD	B	Blade	L	ød	Product Ref.	Stock	Price
12	30	2	81.0	12	IT/807 111 9** ●	Y	£63.32
18	30	3	81.5	18	IT/807 120 0	Y	£78.74
18	30	3	81.5	25	IT/807 120 H	Y	£78.74
18	50	3	101.5	20	IT/807 121 0	Y	£89.74
18	50	3	101.5	20	IT/807 121 0L ▲	Y	£90.27
18	50	3	101.5	25	IT/807 121 H	Y	£90.27
18	50	3	101.5	25	IT/807 121 HL ▲	Y	£104.64
20	50	3	101.5	20	IT/807 125 0	Y	£99.71
20	50	3	101.5	25	IT/807 125 H	Y	£99.71
20	50	3	101.5	25	IT/807 125 HL ▲	Y	£113.44

▲ L=Left Hand Rotation. ● Cutters do not have screw adjuster.

## SPARE PARTS

Desc.	T.C. Blade			
	IT/310 751 0/10	IT/310 751 1/10	IT/310 751 3/10	IT/310 751 3L
<b>Prod. Ref.</b>	IT/310 751 0/10	IT/310 751 1/10	IT/310 751 3/10	IT/310 751 3L
<b>Size</b>	20x5.5x1.1 (B = 20)	30x5.5x1.1 (B = 30)	50x5.5x1.1 (B = 50)	50x5.5x1.1 LEFT HAND
<b>Price</b>	£52.38	£52.38	£59.10	£7.31

Hex Screw*	Hex Screw**	Hex Screw	Hex Key
IT/193 035 0	IT/193 036 0	IT/193 037 0	IT/194 102 0
M3x4	M3x5	M3x7	S1.5
£1.05	£1.05	£1.05	£5.22