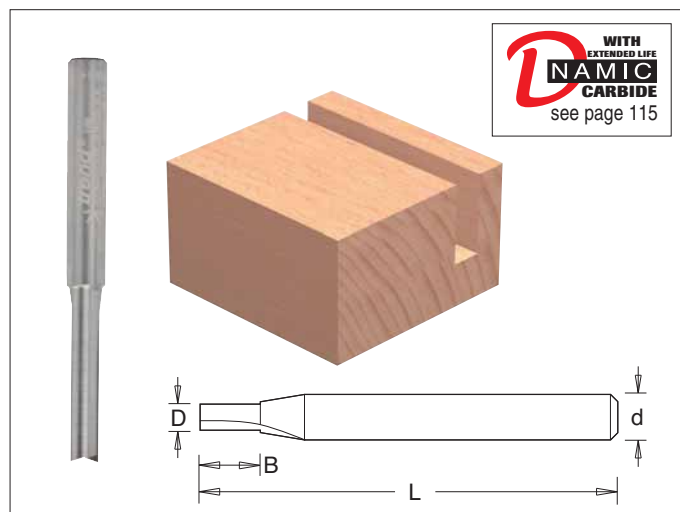


SOLID CARBIDE STRAIGHT ROUTER CUTTERS - TWO FLUTE

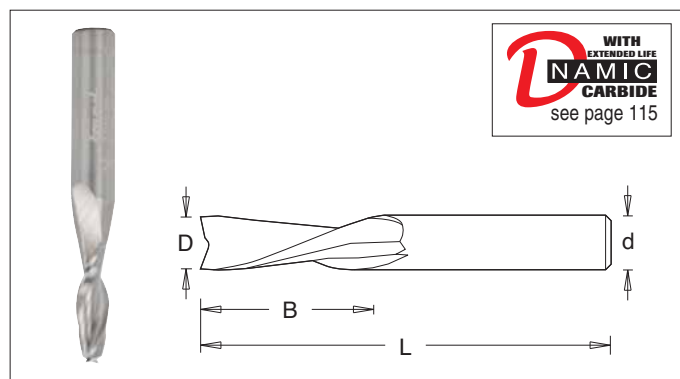
- Suitable for producing grooves or slots in softwood, hardwood and man-made board (with or without coating).
- **DYNAMIC** Carbide for maximum durability.
- For use on routers and machining centres with CNC control.



øD	B	L	ød	Product Ref.	Stock	Price
3	11	60	6	IT/SO107 001 3	Y	£18.57
4	11	60	6	IT/SO107 004 3	Y	£18.57
5	11	60	6	IT/SO107 007 3	Y	£18.57
6	19	60	6	IT/SO107 010 3	Y	£19.79
6	25	60	6	IT/SO107 013 3	Y	£25.50
8	25	70	8	IT/SO107 025 5	Y	£38.97
10	30	80	10	IT/SO107 858 7	Y	£56.08

SOLID CARBIDE FINISHING SPIRALS - TWO FLUTE - 8MM SHANK

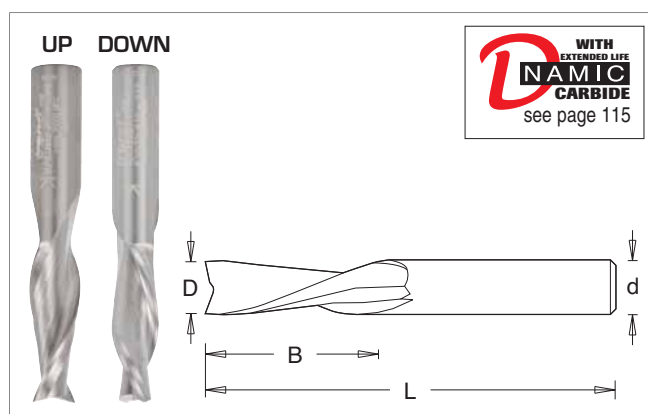
- Suitable for 'fine' finishing cuts in softwood, hardwood and man-made board (with or without coating).
- **DYNAMIC** carbide for maximum durability in abrasive material.
- Up-cut spiral for optimum chip flow and improved finish on bottom of board.
- Down-cut for better clamping when machining small workpieces and improved finish on the top of the material.
- For use on routers and machining centres with CNC control.



UP-CUT

øD	B	L	ød	Product Ref.	Stock	Price
3	12	50	8	IT/173 405 5	Y	£21.12
4	12	50	8	IT/173 410 5	Y	£21.12
5	15	50	8	IT/173 415 5	Y	£21.12
6	20	60	8	IT/173 420 5	Y	£25.50
8	20	60	8	IT/173 425 5	Y	£27.44

- Suitable for 'fine' finishing cuts in softwood, hardwood and man-made board (with or without coating).
- Carbide for maximum durability in abrasive material.
- Up-cut spiral for optimum chip flow and improved finish on bottom of board.
- **Down-cut** for better clamping when machining small workpieces and improved finish on the top of the material.
- For use on routers and machining centres with CNC control.

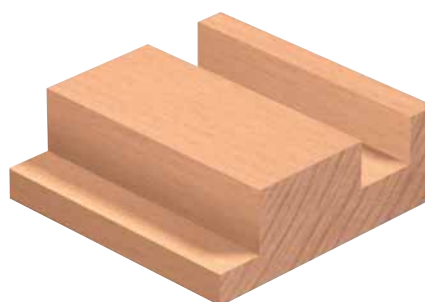


UP-CUT

øD	B	L	ød	Product Ref.	Stock	Price
4	12	55	4	IT/173 410 0	Y	£21.12
5	20	55	5	IT/173 416 0	Y	£21.12
6	20	60	6	IT/173 420 3	Y	£25.50
10	25	70	10	IT/173 430 7	Y	£45.28
10	32	70	10	IT/173 432 7	Y	£52.32
12	32	80	12	IT/173 435 9	Y	£63.13
12	42	90	12	IT/173 437 9	Y	£67.62
12	52	100	12	IT/173 438 9	Y	£104.52

DOWN-CUT

øD	B	L	ød	Product Ref.	Stock	Price
4	12	55	4	IT/173 510 0	Y	£21.12
5	20	55	5	IT/173 516 0	Y	£21.12
6	20	60	6	IT/173 520 3	Y	£25.50
10	25	70	10	IT/173 530 7	Y	£44.07
10	32	70	10	IT/173 532 7	Y	£52.32
12	32	80	12	IT/173 535 9	Y	£63.13
12	42	90	12	IT/173 537 9	Y	£67.62
12	52	100	12	IT/173 538 9	Y	£104.52



KEY

Stock - Y means normally kept in stock for next day delivery.
N means not normally held in stock, delivery in a short time.