

LIP & SPUR DOWEL DRILLS - HOLLOW GROUND FLUTES - CONTINUED

L = 70mm L1 = 43mm Ød = 10mm

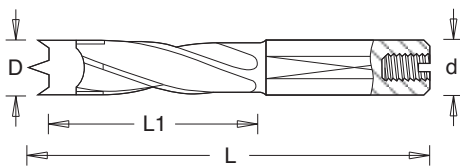
øD	Right	Left	Stock	Price
4.0	IT/201 432 7	IT/201 434 7	Y	£16.45
5.0	IT/201 433 7	IT/201 436 7	Y	£13.44
5.1	IT/201 428 7	IT/201 429 7	Y	£14.60
5.2	IT/201 430 7	IT/201 431 7	Y	£14.60
6.0	IT/201 437 7	IT/201 440 7	Y	£14.60
6.3	IT/201 458 7	IT/201 459 7	Y	£15.88
7.0	IT/201 441 7	IT/201 442 7	Y	£15.88
8.0	IT/201 443 7	IT/201 446 7	Y	£15.88
8.1	IT/201 487 7	IT/201 488 7	Y	£17.04
8.2	IT/201 489 7	IT/201 490 7	Y	£17.04
9.0	IT/201 491 7	IT/201 492 7	Y	£17.04
9.5	-	IT/201 494 7	Y	£17.04
10.0	IT/201 447 7	IT/201 450 7	Y	£17.04
11.0	IT/201 448 7	IT/201 455 7	Y	£18.90
12.0	IT/201 451 7	IT/201 454 7	Y	£18.90
12.7	IT/201 456 7	IT/201 457 7	Y	£19.47
14.0	IT/201 594 7	IT/201 595 7	Y	£23.76
15.0	IT/201 596 7	IT/201 597 7	Y	£26.19
16.0	IT/201 598 7	IT/201 599 7	Y	£27.47

L = 77mm L1 = 50mm Ød = 10mm

øD	Right	Left	Stock	Price
5.0	IT/201 473 7	IT/201 476 7	Y	£17.04
5.2	IT/201 546 7	IT/201 547 7	Y	£17.73
6.0	IT/201 477 7	IT/201 478 7	Y	£17.73
8.0	IT/201 483 7	IT/201 486 7	Y	£17.73
8.1	IT/201 550 7	IT/201 551 7	N	£19.47
8.2	IT/201 554 7	IT/201 555 7	Y	£19.47
9.0	IT/201 560 7	-	Y	£19.47
10.0	IT/201 495 7	IT/201 496 7	Y	£19.47
11.0	IT/201 570 7	IT/201 571 7	Y	£22.60
12.0	IT/201 497 7	IT/201 498 7	Y	£22.60

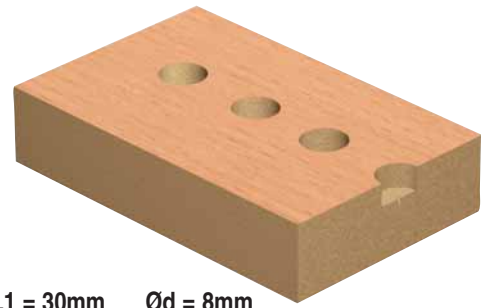
LIP & SPUR DOWEL DRILLS - HOLLOW GROUND FLUTES - 8MM SHANK

- 4 flute Tungsten Carbide Tipped dowel drill with centre point and two spurs.
- Hollow ground flutes help reduce tear out.
- Suitable for drilling blind holes in natural wood and man-made boards (including paper/plastic coated and veneered).
- Drills have a cylindrical shank with flat and length adjusting screw.
- For use on automatic and point-to-point boring machines.
- Spare screw reference IT/193 000 0.



KEY

Stock - Y means normally kept in stock for next day delivery.
N means not normally held in stock, delivery in a short time.



L = 55.5mm L1 = 30mm Ød = 8mm

øD	Right	Left	Stock	Price
5.0	IT/201 403 5	IT/201 406 5	Y	£12.18
6.0	IT/201 407 5	IT/201 410 5	Y	£13.44
8.0	IT/201 413 5	IT/201 416 5	Y	£13.44
9.0	IT/201 510 5	IT/201 511 5	Y	£15.88
10.0	IT/201 417 5	IT/201 420 5	Y	£15.88
12.0	IT/201 421 5	IT/201 424 5	Y	£17.04

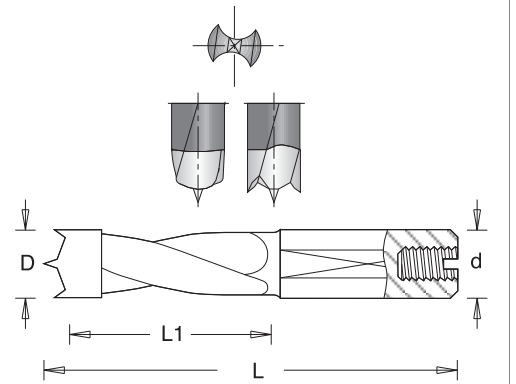
L = 67mm L1 = 40mm Ød = 8mm

øD	Right	Left	Stock	Price
5.0	IT/201 433 5	IT/201 436 5	Y	£13.44
6.0	IT/201 437 5	IT/201 440 5	Y	£14.60
7.0	IT/201 441 5	IT/201 442 5	Y	£15.88
8.0	IT/201 443 5	IT/201 446 5	Y	£15.88
9.0	IT/201 491 5	IT/201 492 5	N	£17.04
10.0	IT/201 447 5	-	N	£17.04
12.0	IT/201 451 5	IT/201 454 5	N	£18.90

LIP & SPUR DOWEL DRILLS - 10MM SHANK



- Solid carbide drill head, 2 fluted dowel drill with centre point and two spurs.
- Radius spurs and solid carbide head will outperform standard dowel drills many times.
- Suitable for drilling blind holes in natural wood and man-made boards (including paper/plastic coated and veneered).
- Drills have a cylindrical shank with flat and length adjusting screw.
- For use on automatic & point-to-point boring machines.
- Spare screw reference IT/193 000 0.



L = 57.5mm L1 = 27mm Ød = 10mm

øD	Right	Left	Stock	Price
5.0	IT/201 705 7	IT/201 706 7	Y	£14.60
8.0	IT/201 713 7	IT/201 716 7	Y	£17.04
10.0	IT/201 722 7	IT/201 723 7	Y	£19.47

L = 70mm L1 = 35mm Ød = 10mm

øD	Right	Left	Stock	Price
5.0	IT/201 731 7	IT/201 734 7	Y	£17.04
8.0	IT/201 743 7	IT/201 746 7	Y	£18.30
10.0	IT/201 745 7	IT/201 748 7	Y	£18.30