



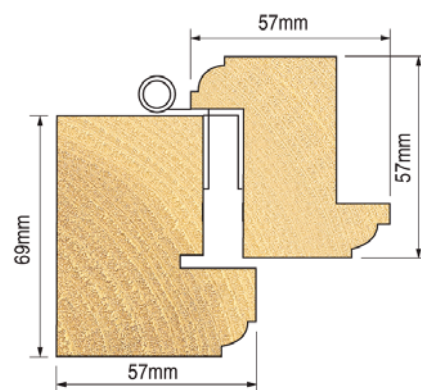
**SP**  
*Ovolo*

Product Ref.	Bore	Price
IT/MWS/SET011	30mm	£2,722.86
IT/MWS/SET017	1-1/4"	£2,722.86

## STORM PROOF *Ovolo*

**Timber Storm Proof style windows with the following features:**

- Outer frame section 69mm x 57mm. Sash section 57mm x 57mm.
- Standard ovolo profile on outer frame and sash.
- All outer frame and sash joints are combed.
- Will also produce single tenon for mullion and transom joints (mortise hole required).
- Uses standard cranked hinges, fasteners and stays.
- 4mm groove width in outer frame to accept standard weather seals. Alternative 3mm groove width can be produced.



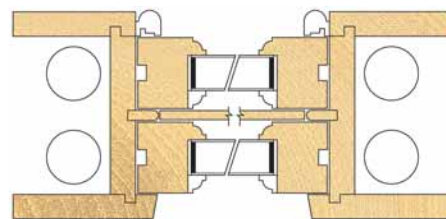
**SB XS**  
*Ovolo*

Product Ref.	Bore	Price
IT/MWS/SET071	30mm	£2,379.98
IT/MWS/SET077	1-1/4"	£2,379.98

## SLIDING BOX SASH *Ovolo*

**Timber Sliding Box Sash style windows with the following features:**

- Top sash head and stiles 57mm x 57mm section. Meeting rail 44mm x 57mm section.
- Bottom sash stiles 57mm x 57mm section. Meeting rail 44mm x 57mm section. Bottom rail 69mm x 57mm section.
- Standard ovolo profile on sashes.
- Tooling will make both top and bottom sashes. Tools from the system can be used to produce the box (spindle moulder will need to be re-set).
- All sash joints are combed.



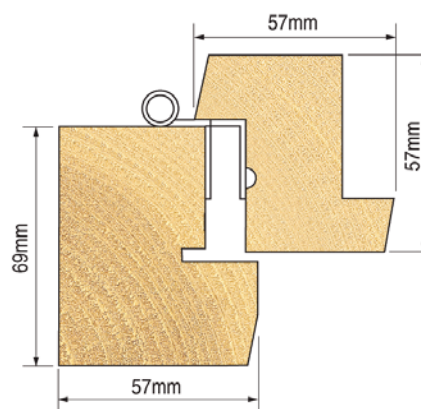
**EJMA**  
*9° Splay*

Product Ref.	Bore	Price
IT/MWS/SET021	30mm	£2,123.95
IT/MWS/SET027	1-1/4"	£2,123.95

## EJMA *9° Splay*

**Timber EJMA 9° Splay style windows with the following features:**

- 69mm x 57mm outer frame section.
- 57mm x 57mm sash section.
- Traditional EJMA (English Joinery Manufacturers Association) 9 degree splay profile on outer frame and sash.
- All outer frame and sash joints are combed.
- Will also produce single tenon for mullion and transom joints (mortise hole required).
- Uses standard cranked hinges, fasteners and stays.



**FS**  
*9° Splay*

Product Ref.	Bore	Price
IT/MWS/SET041	30mm	£2,823.98
IT/MWS/SET047	1-1/4"	£2,823.98

## FULL SPLAY *9°*

**Timber Full Splay 9° style windows with the following features:**

- Outer frame section 69mm x 57mm. Sash section 57mm x 57mm.
- Standard 9 degree full splay profile on outer frame and sash.
- All outer frame and sash joints are combed.
- Will also produce single tenon for mullion and transom joints (mortise hole required).
- Uses standard cranked hinges, fasteners and stays.
- 4mm groove width in outer frame to accept standard weather seals. Alternative 3mm groove width can be produced.

