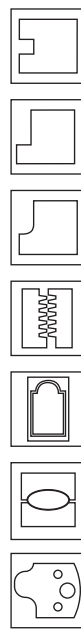
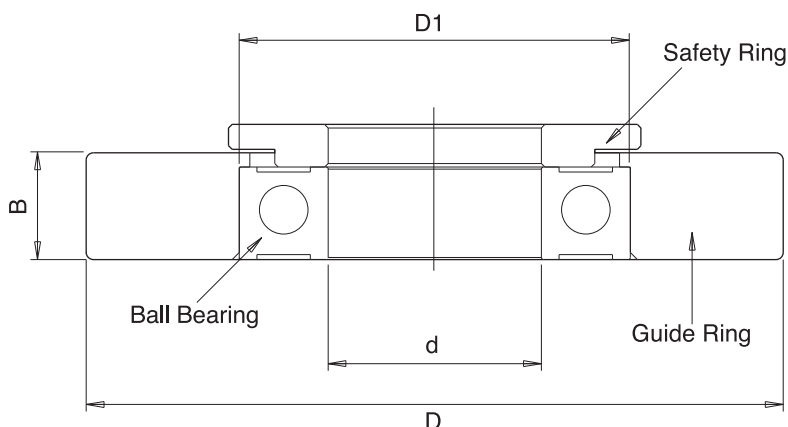


## BALL BEARING GUIDE RINGS

- A complete range of alloy guide rings for use in conjunction with a ball bearing and security ring.
- Enables cutter blocks to be used with a template or directly onto the workpiece for shaping work.
- Choose required diameter guide ring from this table and corresponding ball bearing and safety ring from the second table depending on shaft diameter.

D	D1	B	Description	Product Ref.	Stock	Price
75	55	15	Guide Ring	IT/192 581 0	Y	£20.85
80	55	15	Guide Ring	IT/192 582 0	Y	£21.90
85	55	15	Guide Ring	IT/192 583 0	Y	£22.94
90	55	15	Guide Ring	IT/192 584 0	Y	£23.98
95	55	15	Guide Ring	IT/192 585 0	Y	£25.03
100	55	15	Guide Ring	IT/192 586 0	Y	£30.25
105	55	15	Guide Ring	IT/192 587 0	Y	£31.28
110	55	15	Guide Ring	IT/192 588 0	Y	£32.33
115	55	15	Guide Ring	IT/192 589 0	Y	£33.96
120	55	15	Guide Ring	IT/192 590 0	Y	£24.33
125	55	15	Guide Ring	IT/192 591 0	Y	£40.68
130	55	15	Guide Ring	IT/192 592 0	Y	£26.64
135	55	15	Guide Ring	IT/192 593 0	Y	£31.28
140	55	15	Guide Ring	IT/192 594 0	Y	£32.46
145	55	15	Guide Ring	IT/192 595 0	Y	£34.76
150	55	15	Guide Ring	IT/192 596 0	Y	£35.91

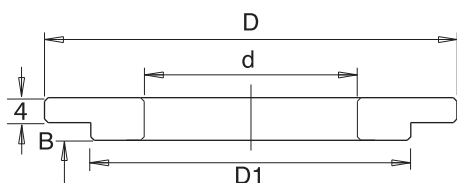
D1	B	Description	30mm Bore d	1 1/4" Bore d	Stock	Price
55	13	Ball Bearing	IT/191 023 0	IT/191 023 7	Y	£21.90
		Safety Ring	IT/192 510 0	IT/192 510 7	Y	£9.39



## REDUCTION BUSH

- Steel reduction bush to reduce bore of a 1-1/4" bore block to 30mm. To be used as a pair.

D	D1	d	B	Product Ref.	Stock	Price
55	1 1/4"	30	5	IT/BUSH/31830	Y	£12.05



### KEY

**Stock** - Y means normally kept in stock for next day delivery.  
 N means not normally held in stock, delivery in a short time.