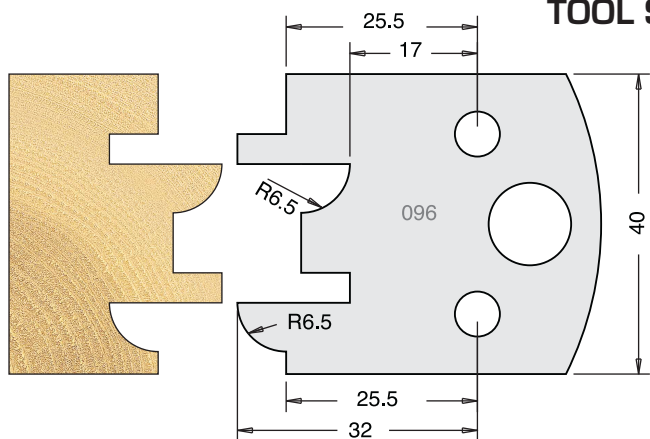
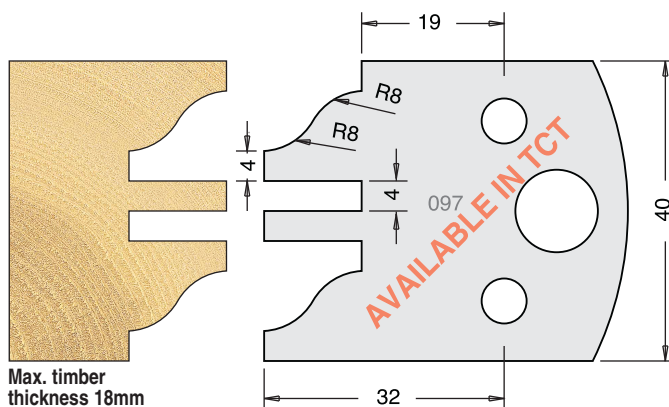


All drawings are actual size

TOOL STEEL MULTI PROFILE CUTTERS - 40X4MM

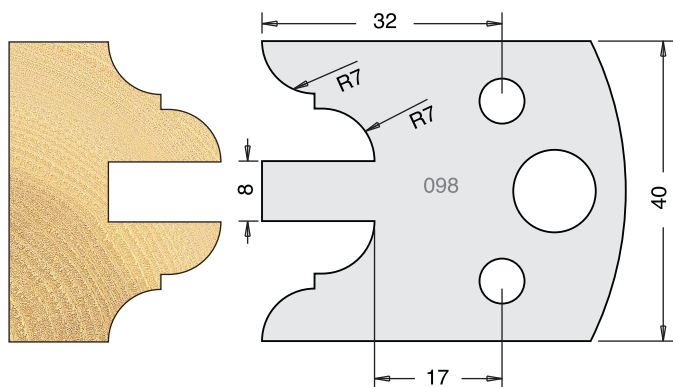


Knives	IT/33 096 40	£9.94
Limitors	IT/34 096 40	£9.38

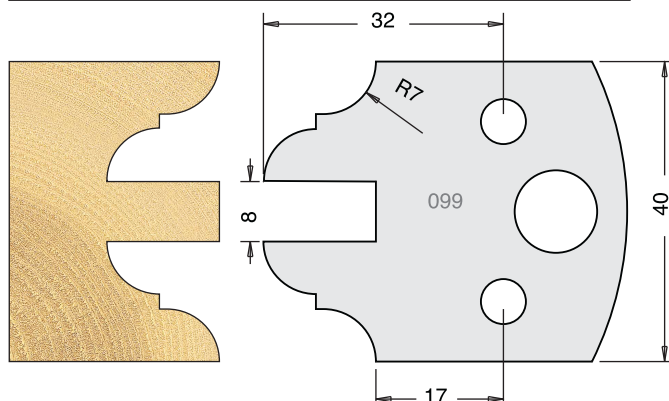


Max. timber thickness 18mm

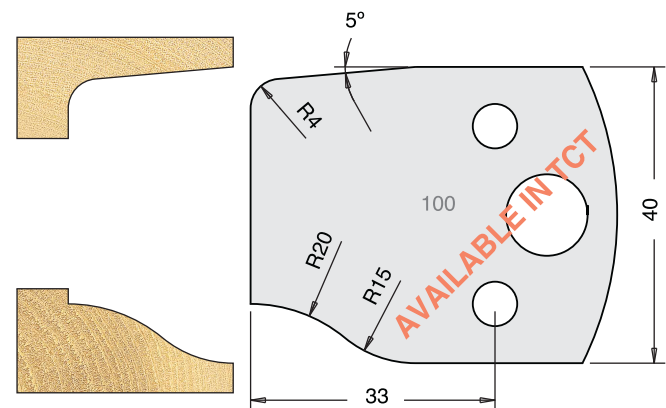
Knives	IT/33 097 40	£9.94	TCT	IT/33 097 42	£42.27
Limitors	IT/34 097 40	£9.38			



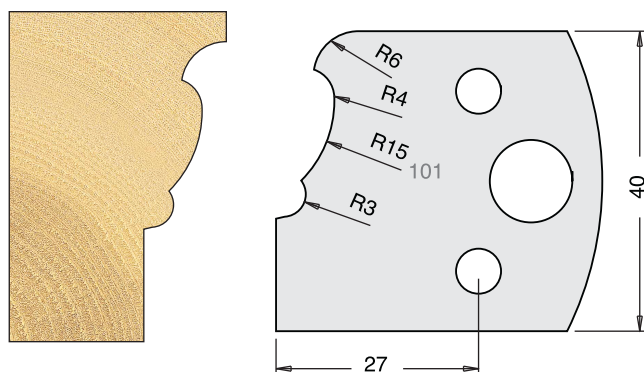
Knives	IT/33 098 40	£9.94
Limitors	IT/34 098 40	£9.38



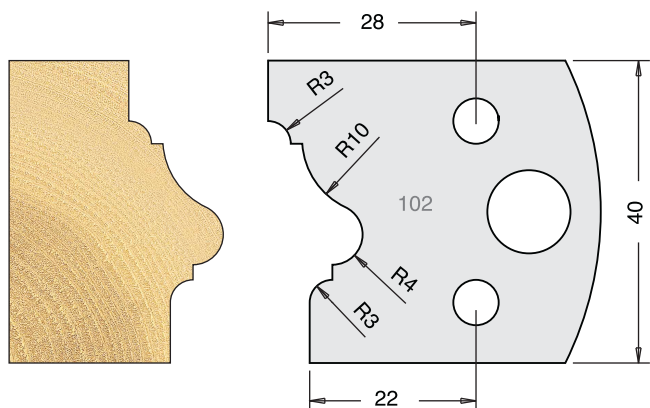
Knives	IT/33 099 40	£9.94
Limitors	IT/34 099 40	£9.38



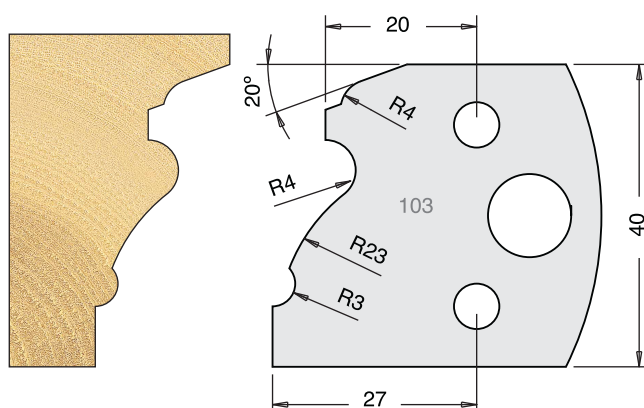
Knives	IT/33 100 40	£9.94	TCT	IT/33 100 42	£35.76
Limitors	IT/34 100 40	£9.38			



Knives	IT/33 101 40	£9.94
Limitors	IT/34 101 40	£9.38



Knives	IT/33 102 40	£9.94
Limitors	IT/34 102 40	£9.38



Knives	IT/33 103 40	£9.94
Limitors	IT/34 103 40	£9.38