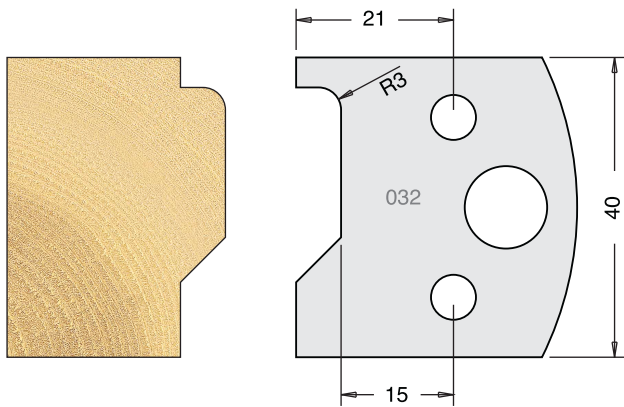
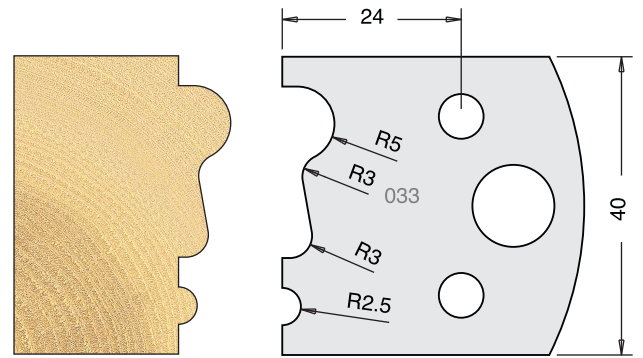


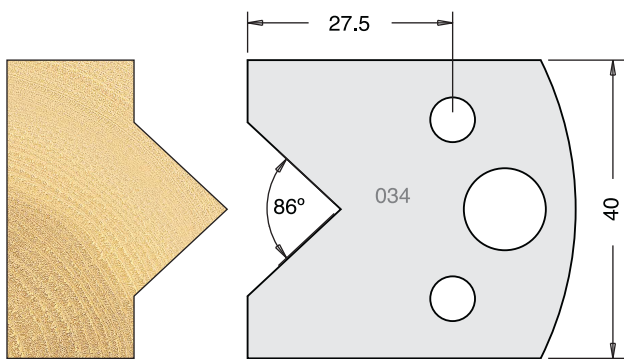
TOOL STEEL MULTI PROFILE CUTTERS - 40X4MM



Knives	IT/33 032 40	£9.94
Limitors	IT/34 032 40	£9.38

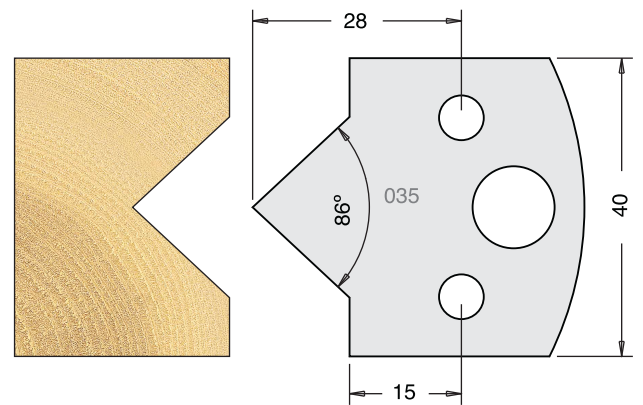


Knives	IT/33 033 40	£9.94
Limitors	IT/34 033 40	£9.38



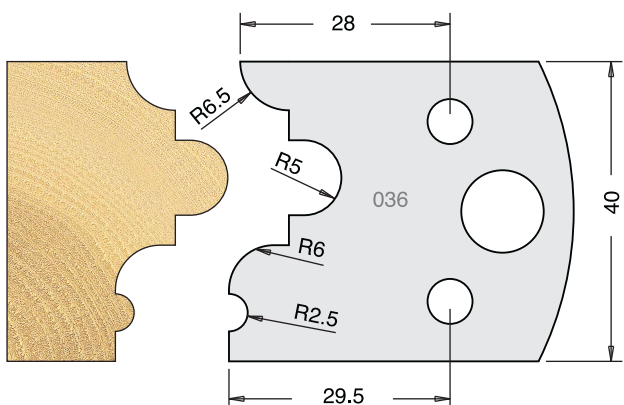
Knives	IT/33 034 40	£9.94
Limitors	IT/34 034 40	£9.38

Not for use to create a 45° mitre cut.

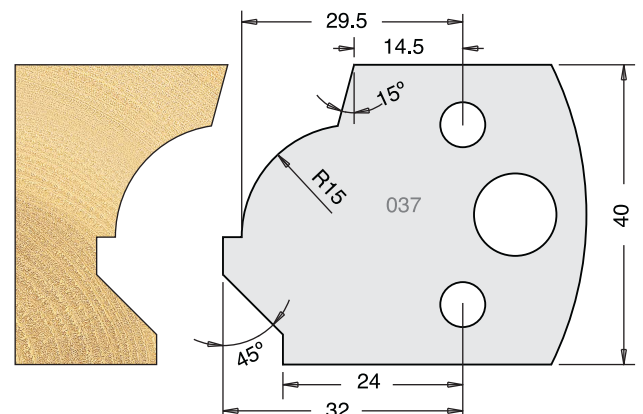


Knives	IT/33 035 40	£9.94
Limitors	IT/34 035 40	£9.38

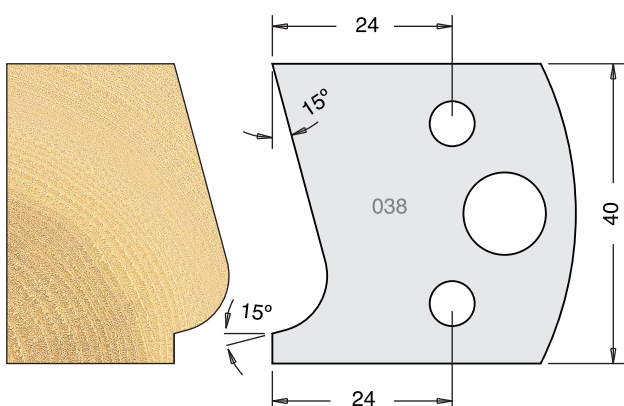
Not for use to create a 45° mitre cut.



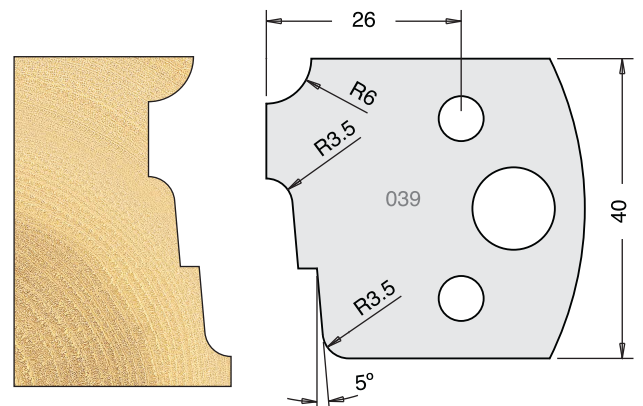
Knives	IT/33 036 40	£9.94
Limitors	IT/34 036 40	£9.38



Knives	IT/33 037 40	£9.94
Limitors	IT/34 037 40	£9.38



Knives	IT/33 038 40	£9.94
Limitors	IT/34 038 40	£9.38



Knives	IT/33 039 40	£9.94
Limitors	IT/34 039 40	£9.38

All blades sold as a pair

All prices are exclusive of VAT