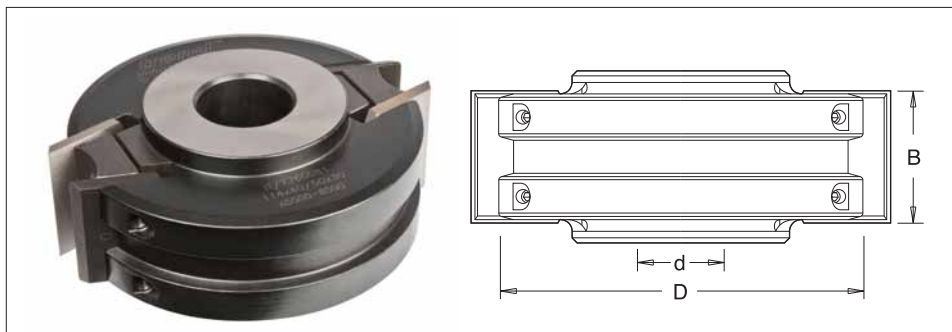
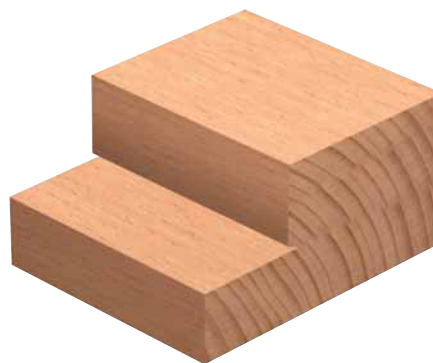


MULTI PROFILE CUTTER BLOCKS

- Hard wearing steel and alloy (100mm diameter) body complete with two tool steel rebate knives and limiter plates.
- Suitable for jointing, rebating and profiling with 4mm thick knives and limitors in un-bonded softwood and hardwood boards on a spindle moulder.
- 14 profiles available in TCT suitable for abrasive hardwoods and man-made board.
- Over one hundred and fifty 40mm and seventy 50mm profiles and limitors available from stock.
- 114mm diameter cutter block suitable for 40mm and 50mm knives and limitors.
- Suitable for Hand Feeding (MAN).



Recommended RPM (n):

78mm dia.	7,000 – 9,000
93mm dia.	6,000 – 9,000
100mm dia.	5,000 – 8,000
114mm dia.	5,000 – 8,500
120mm dia.	5,100 – 8,000



Hand Feed

D	B	z	30mm Bore d	1 1/4" Bore d	Stock	Price
78	40	2	IT/776 010 1	-	Y	£104.89
93	40	2	IT/776 006 1	IT/776 006 7	Y	£68.27
100	40	2	IT/776 020 1*	IT/776 010 7*	Y	£80.31
120	40	2	IT/776 007 1	IT/776 007 7	Y	£80.31
114	40/50	2	IT/776 008 1**	IT/776 008 7**	Y	£80.31

* Alloy Body

** Suitable for 40mm and 50mm profile knives/limitor plates.

CUTTER DIAMETER WITH MOUNTED REBATE KNIVES SPARE PIN

Cutter Head Diameter	Diameter with Rebate Knives
78mm	90mm
93mm	105mm
100mm	112mm
114mm	128mm
120mm	132mm

Description	Location Pin
Product Ref.	IT/190 701 1
Size	6xM5x6
Price	£1.61

EMPTY WOODEN STORAGE BOXES FOR 40MM KNIVES, LIMITORS & CUTTER BLOCKS

- Empty wooden storage box suitable for cutter blocks listed above and 40mm profile knives and limitors shown on the following pages.
- Allows you to create your own sets.



Tools not included.

Max Dia. of Cutterhead	Box Size	Max. no. of Knives/Limitors	Product Ref.	Stock	Price
93	125x220x60	12 Pairs	IT/600 106 0	Y	£19.36
114	155x240x60	12 Pairs	IT/600 106 1	Y	£25.50
130	195x265x60	24 Pairs	IT/600 106 2	Y	£29.79

KEY

Stock - Y means normally kept in stock for next day delivery.

N means not normally held in stock, delivery in a short time.