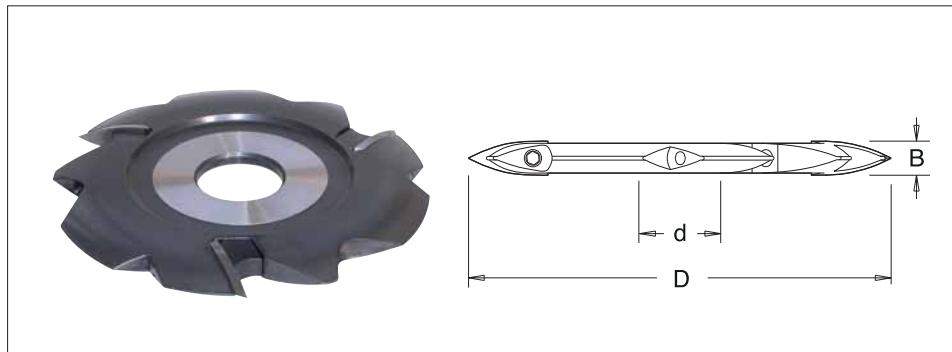
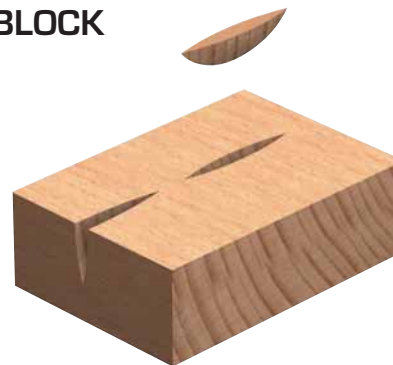


## LAMELLO® DISPOSABLE INSERT RESIN POCKET CUTTER BLOCK

- Hard wearing steel body complete with disposable Tungsten Carbide knives (z).
- Suitable for producing the slot in softwood and hardwood boards to take the No.2 wooden patches used in the Lamello® Minislot machine.
- Constant diameter and groove width through disposable tips. More cost effective than standard tipped cutter.
- Recommended RPM (n): 7,600 – 13,400.
- Suitable for Hand Feeding (MAN).



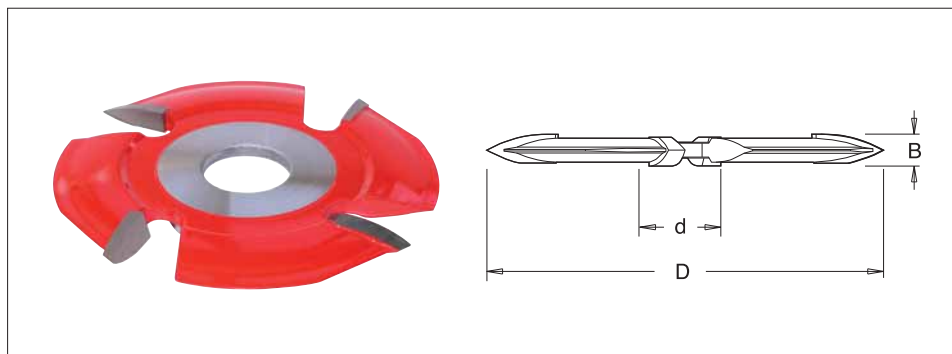
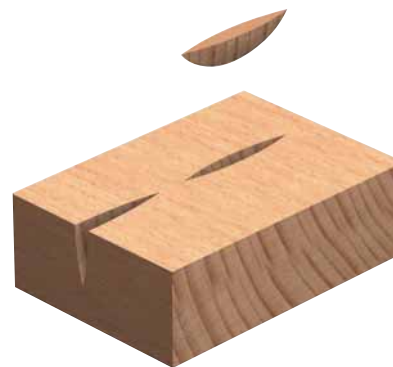
| D   | B | z | 22mm Bore d  | Stock | Price   |
|-----|---|---|--------------|-------|---------|
| 100 | 8 | 3 | IT/721 025 4 | N     | £209.17 |

### SPARE KNIFE

| Description  | T.C. Blade   |
|--------------|--------------|
| Product Ref. | IT/310 858 2 |
| Size         | 8x20x2       |
| Price        | £22.08       |

## LAMELLO® RESIN POCKET CUTTER BLOCK

- Hard wearing steel body complete with Tungsten Carbide Tips (z).
- Suitable for producing the slot in softwood and hardwood boards to take the No.2 wooden patches used in the Lamello® Minislot machine.
- 15mm wide cutter block also available for No.4 wooden patches.
- Recommended RPM (n): 7,600 - 13,400.
- Suitable for Hand Feeding (MAN).



| D   | B  | z | Minislot Patch Size | 22mm Bore d  | Stock | Price   |
|-----|----|---|---------------------|--------------|-------|---------|
| 100 | 8  | 4 | No. 2               | IT/707 520 4 | N     | £79.26  |
| 100 | 15 | 4 | No. 4               | IT/707 525 4 | N     | £109.26 |

### KEY

**Stock** - Y means normally kept in stock for next day delivery.  
 N means not normally held in stock, delivery in a short time.

