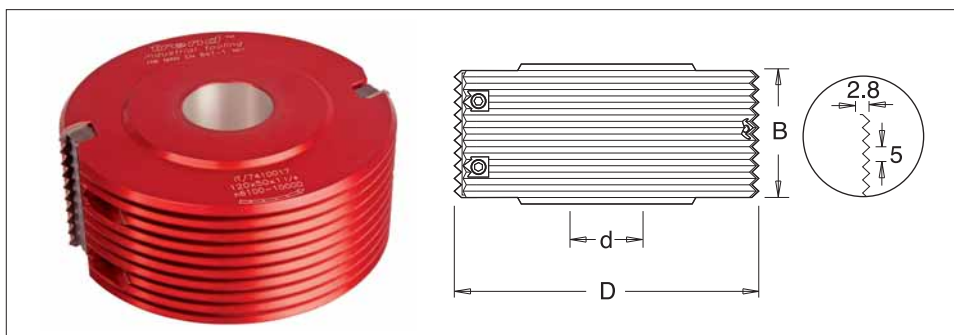
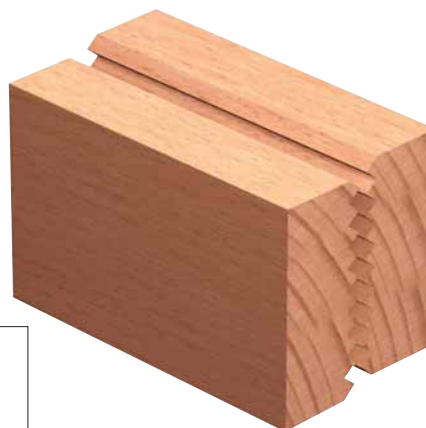


DISPOSABLE INSERT GLUE JOINT CUTTER BLOCK

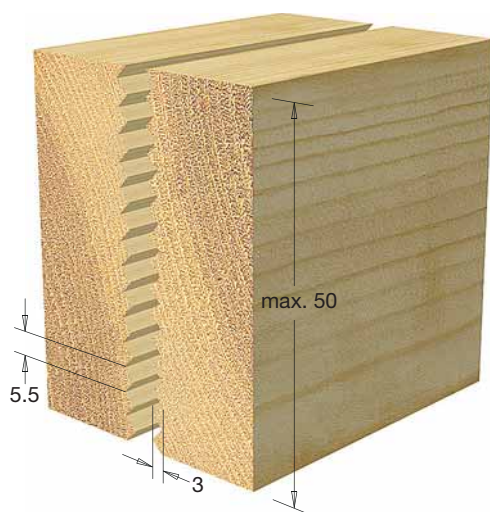
- Hard wearing alloy body complete with disposable Tungsten Carbide knives (z).
- Suitable for producing glue joints in softwood and hardwood on a spindle moulder.
- Recommended RPM (n) 6,100 – 10,00.
- Suitable for Hand Feeding (MAN).



D	B	z	30mm Bore d	1 1/4" Bore d	Stock	Price
120	50	2	IT/741 001 1	IT/741 001 7	Y	£132.99

SPARE KNIFE

Description	T.C. Blade
Product Ref.	IT/3108507
Size	50x12x1.5
Price	£24.28



KEY

Spare Knives and Scorers - Product Reference ending in /10 are sold in packs of ten.

Stock - Y means normally kept in stock for next day delivery.

N means not normally held in stock, delivery in a short time.

