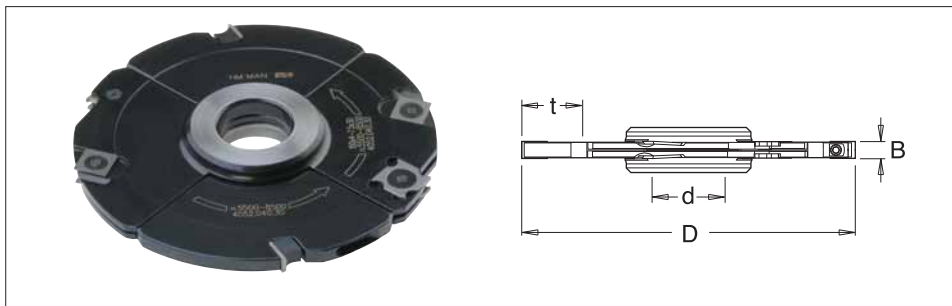
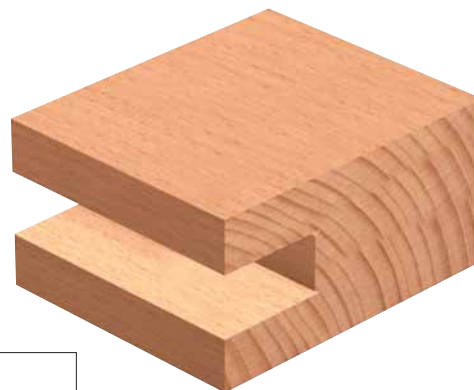


3 PART DISPOSABLE INSERT ADJUSTABLE GROOVING CUTTERS WITH SCORERS 4-30MM

- Hard wearing steel body complete with disposable Tungsten Carbide knives (z) and scorers (v).
- Suitable for producing various width grooves and slots in softwood, hardwood and man-made boards on a spindle moulder.
- Cutting width can be adjusted by 0.1mm by using supplied spacer rings.
- Recommended RPM (n) 5,500 – 8,000.
- Suitable for Hand Feeding (MAN).



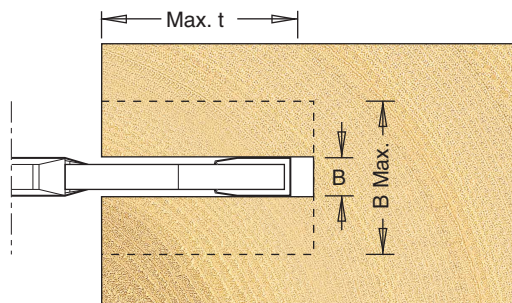
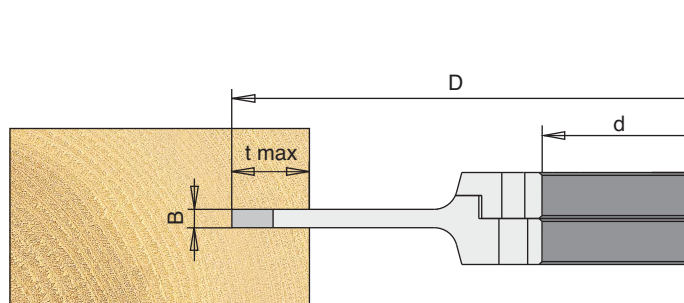
D	B	z	v	max. t	30mm Bore d	1 1/4" Bore d	Stock	Price
150	4.0 - 15.5	4+2	4	45	IT/722 030 1	IT/722 030 7	Y	£426.10
150	8.0 - 30.0	4+2	4	45	IT/ST/AG001	IT/ST/AG007	Y	£506.58

SPARE KNIVES

Description	T.C. Blade		
	Product Ref.	IT/ST/TCI01	IT/310 751 2/10
Size	18x18x2 B=4-15.5mm	15x12x1.5 B=8-30mm	7.5x12x1.5 B=4-30mm
Price	£60.71	£4.96	£33.96

SPARE SCORERS

Description	T.C. Blade	
	Product Ref.	IT/300 850 3/10
Size	14x14x1.2 B=4-15.5mm	14x14x2 B=8-30mm
Price	£28.17	£22.48



KEY

Spare Knives and Scorers - Product Reference ending in /10 are sold in packs of ten.

Stock - Y means normally kept in stock for next day delivery.

N means not normally held in stock, delivery in a short time.