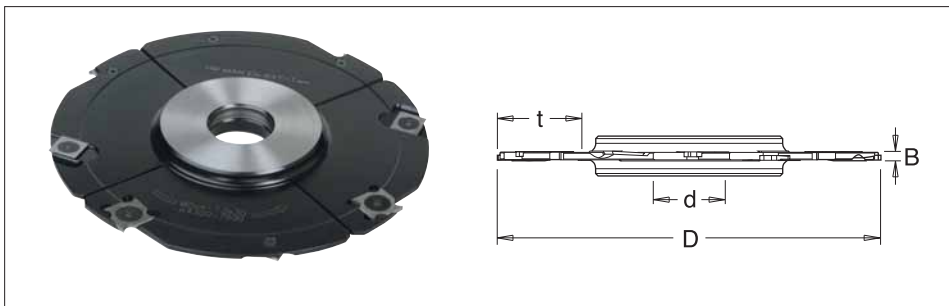
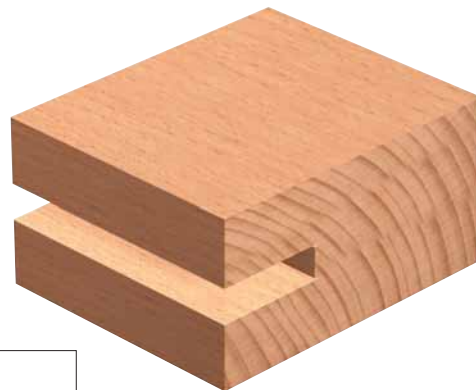


DISPOSABLE INSERT ADJUSTABLE GROOVING CUTTERS WITH SCORERS 4-24MM

- Hard wearing steel body complete with disposable Tungsten Carbide knives (z) and scorers (v).
- Suitable for producing various width grooves and slots in softwood, hardwood and man-made boards on a spindle moulder.
- Cutting width can be adjusted by 0.1mm by using supplied spacer rings.
- Recommended RPM (n) 160mm diameter 4,800 – 8,300. 180mm diameter 4,300 – 7,500.
- Suitable for Hand Feeding (MAN).



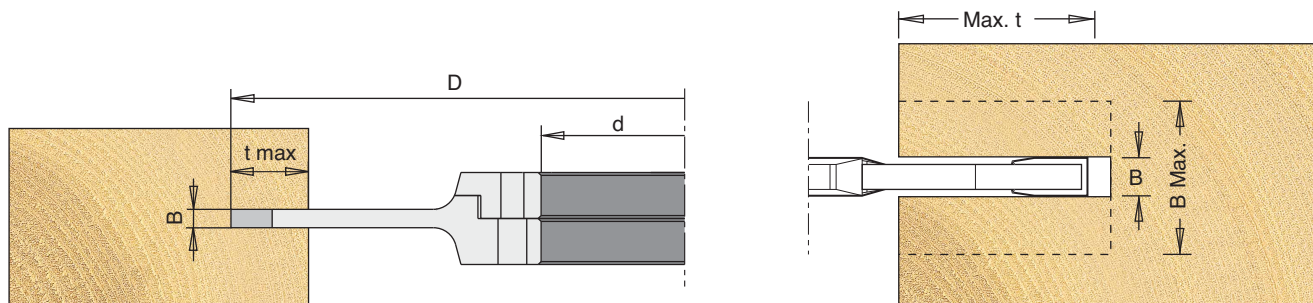
D	B	z	v	max. t	30mm Bore d	Stock	1 1/4" Bore d	Stock	Price
160	4.0 - 7.5	8	4	30	IT/722 001 1	Y	IT/722 001 7	Y	£312.87
160	8.0 - 15.0	4	4	30	IT/722 002 1	Y	IT/722 002 7	Y	£259.70
160	12.5 - 24.0	4	4	30	IT/722 003 1	Y	IT/722 003 7	Y	£272.21
180	4.0 - 7.5	8	4	40	IT/722 010 1	Y	IT/722 010 7	N	£345.79
180	8.0 - 15.0	4	4	40	IT/722 004 1	N	IT/722 004 7	N	£284.73
180	12.5 - 24.0	4	4	40	IT/722 005 1	N	IT/722 005 7	N	£331.18

SPARE KNIVES

Description	T.C. Blade		
	Product Ref.	IT/310 751 2/10	IT/300 750 9/10
Size	18x18x2 B=4-7.5mm	7.5x12x1.5 B=8-15mm	11.6x12x1.5 B=12.5-24mm
Price	£60.71	£33.96	£38.64

SPARE SCORERS

Description	T.C. Blade	
	Product Ref.	IT/300 850 3/10
Size	14x14x1.2 B=4-7.5mm	14x14x2 B=8-24mm
Price	£28.17	£22.48



KEY

Spare Knives and Scorers - Product Reference ending in /10 are sold in packs of ten.

Stock - Y means normally kept in stock for next day delivery.

N means not normally held in stock, delivery in a short time.