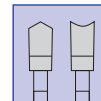
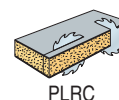
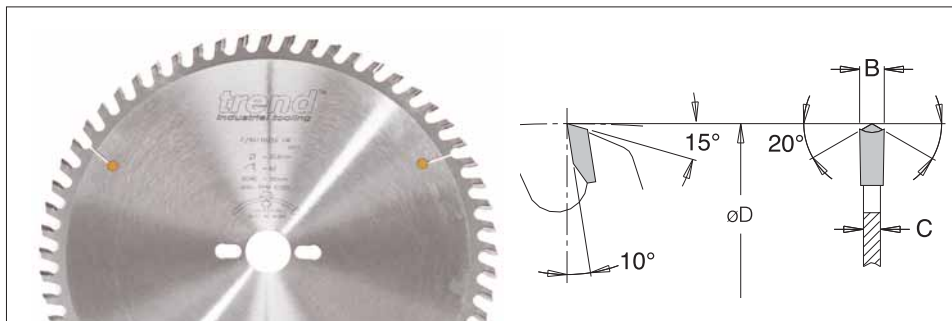


PANEL TRIMMING & SIZING SAWBLADES WITHOUT SCORER

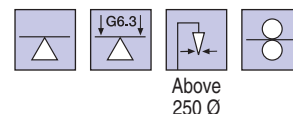
- Suitable for trimming and sizing with a super fine finish on single and double-sided laminated boards (chipboard, MDF etc).
- Hollow pointed tooth.
- Special tooth form allows blade to machine double-sided laminated board without a scorer.
- For use on a table or panel saw.
- Other bore sizes available, see page 17.



LAMINATED BOARDS
HOLLOW/POINT TEETH
SUPER FINE FINISH



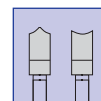
øD	Teeth	B	C	ø bore	Product Ref.	Stock	Price
253	48	3.2	2.2	30	IT/901 10 10 6	N	£95.61
303	60	3.3	2.4	30	IT/901 10 25 6	Y	£110.79
350	72	3.2	2.2	30	IT/901 10 30 6	Y	£138.71



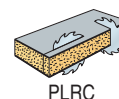
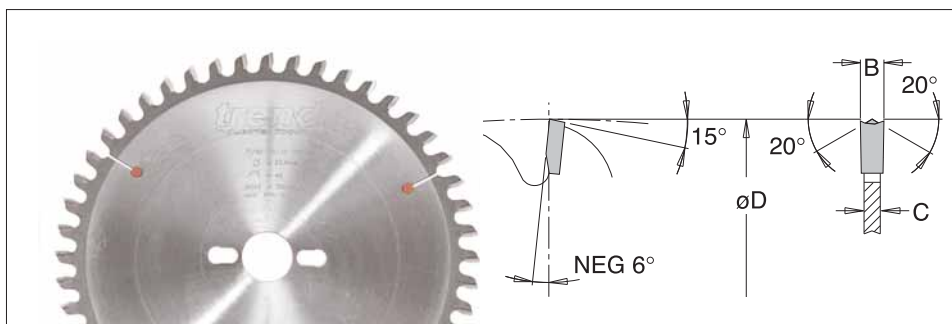
Above
250 Ø

VERTICAL PANEL TRIMMING & SIZING SAWBLADES

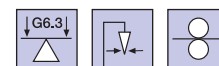
- Suitable for trimming and sizing with a super fine finish on single and double-sided laminated boards (chipboard, MDF etc).
- Hollow pointed tooth, negative hook.
- Special tooth form allows blade to machine double-sided laminated board without a scorer.
- For use on a vertical panel sizing machine.
- Other bore sizes available, see page 17.



LAMINATED BOARDS
HOLLOW/POINT TEETH
SUPER FINE FINISH



øD	Teeth	B	C	ø bore	Product Ref.	Stock	Price
220	42	3.2	2.2	30	IT/901 10 65 6	N	£79.73
253	48	3.2	2.2	30	IT/901 10 13 6	Y	£95.61
303	60	3.2	2.2	30	IT/901 10 85 6	Y	£110.79



MANUFACTURING
TECHNOLOGY



Balance



Dynamic
Balance



Straightening



Dynamic
Straightness



Tension



Low
Noise