

# MULTI PROFILE SYSTEM TOOLING

Ø	Max.RPM
78	7,000-9,000
93	6,000-9,000
100	5,000-8,000
114	5,000-8,500
120	5,100-8,000



## MULTI PROFILE SYSTEM CUTTER BLOCKS



40 x 4mm cutter blocks.

- Cutterhead bodies in hard wearing aluminium or steel complete with 4mm thick tool steel rebate knives and corresponding limiter plates.
- Suitable for jointing, rebating and profiling of softwood and hardwood.

Block Only	Dia. Rebate	Dia. with Rebate	Thickness	Product Ref.	No. of Blades	Bore	Body	Price
	78mm	90mm	40mm	IT/776 010 1	2	30mm	Steel	£110.13
	93mm	105mm	40mm	IT/776 006 1	2	30mm	Steel	£71.68
	93mm	105mm	40mm	IT/776 006 7	2	1-1/4"	Steel	£71.68
	100mm	112mm	40mm	IT/776 020 1	2	30mm	Alloy	£84.33
	100mm	112mm	40mm	IT/776 010 7	2	1-1/4"	Alloy	£84.33
	120mm	132mm	40mm	IT/776 007 1	2	30mm	Steel	£84.33
	120mm	132mm	40mm	IT/776 007 7	2	1-1/4"	Steel	£84.33
	114mm	128mm	40/50mm	IT/776 008 1	2	30mm	Steel	£84.33
	114mm	128mm	40/50mm	IT/776 008 7	2	1-1/4"	Steel	£84.33

## CUTTER BLOCK SET

40 x 4mm cutter set comprising an aluminium block Ref. IT/776 020 1 (100 x 40 x 30mm\*), knives Refs. IT/33 001 40 to IT/33 006 40 and limitors Refs. IT/34 001 40 to IT/34 006 40.

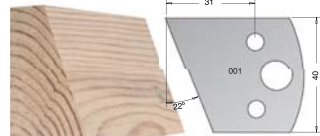
- Six pairs of profile knives and limitors.
- Suitable for softwood and hardwood.
- Supplied in a wooden box.



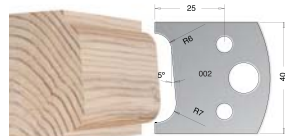
**IT/ST/SET001** (30mm bore)  
£194.44

**IT/ST/SET007** (1-1/4" bore)  
£194.44

\* 1-1/4" bore uses block IT/776 010 7.



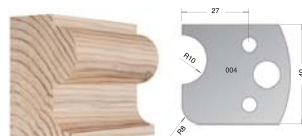
IT/33 001 40 Knives  
IT/34 001 40 Limitors



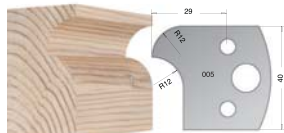
IT/33 002 40 Knives  
IT/34 002 40 Limitors



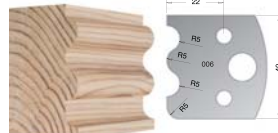
IT/33 003 40 Knives  
IT/34 003 40 Limitors



IT/33 004 40 Knives  
IT/34 004 40 Limitors



IT/33 005 40 Knives  
IT/34 005 40 Limitors

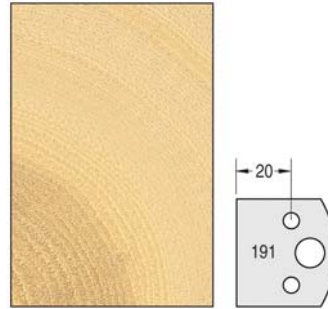


IT/33 006 40 Knives  
IT/34 006 40 Limitors

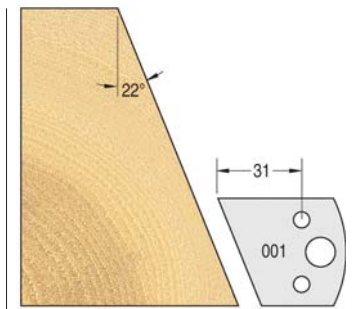
## CUTTER KNIVES & LIMITORS

A range of 40mm x 4mm knives for use with Trend multi profile system cutter blocks. Knives are tool steel grade. All knives and limitors are sold as pairs.

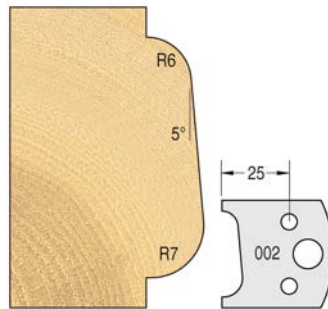
- Suitable for jointing, rebating and profiling of softwood and hardwood.
- Knives are 40mm high x 4mm thick.
- Wooden profiles are shown actual size.
- Knife drawings are shown 35% of actual size and show back of knife. Dimensions are in mm.
- 150 profiles are available.



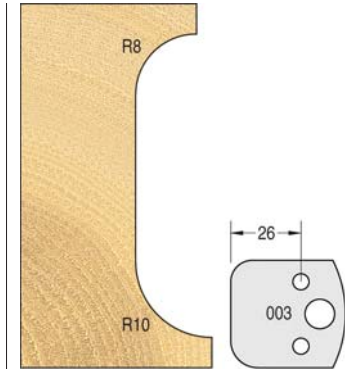
IT/33 191 40 Knives (pair) £8.50  
IT/34 191 40 Limitors (pair) £8.34



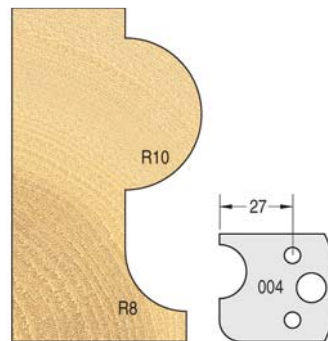
IT/33 001 40 Knives (pair) £10.44  
IT/34 001 40 Limitors (pair) £9.85



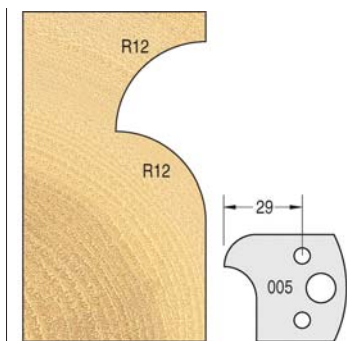
IT/33 002 40 Knives (pair) £10.44  
IT/34 002 40 Limitors (pair) £9.85



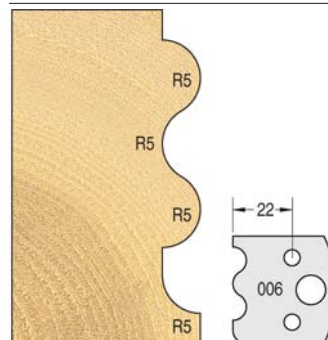
IT/33 003 40 Knives (pair) £10.44  
IT/34 003 40 Limitors (pair) £9.85



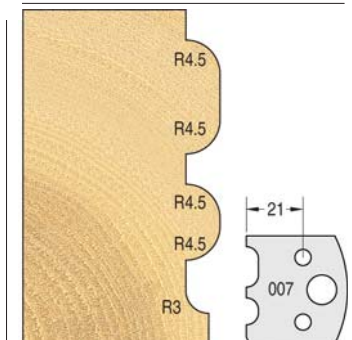
IT/33 004 40 Knives (pair) £10.44  
IT/34 004 40 Limitors (pair) £9.85



IT/33 005 40 Knives (pair) £10.44  
IT/34 005 40 Limitors (pair) £9.85

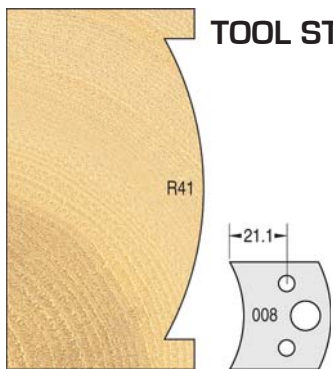


IT/33 006 40 Knives (pair) £10.44  
IT/34 006 40 Limitors (pair) £9.85

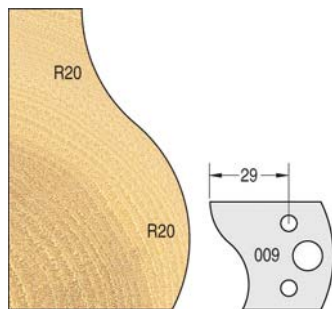


IT/33 007 40 Knives (pair) £10.44  
IT/34 007 40 Limitors (pair) £9.85

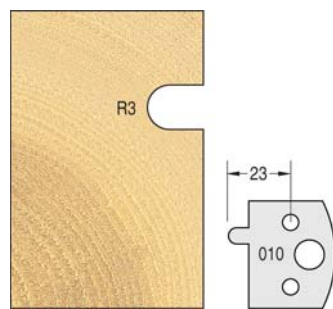
**TOOL STEEL MULTI PROFILE CUTTERS 40X4MM**



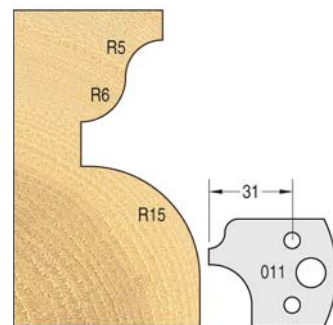
**IT/33 008 40** Knives (pair) £10.44  
**IT/34 008 40** Limitors (pair) £9.85



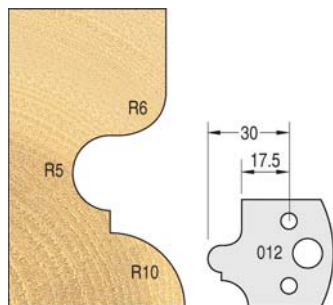
**IT/33 009 40** Knives (pair) £10.44  
**IT/34 009 40** Limitors (pair) £9.85



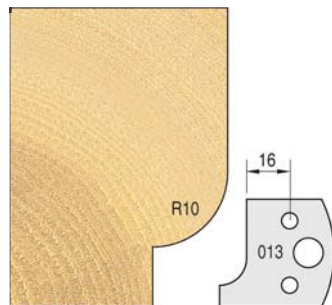
**IT/33 010 40** Knives (pair) £10.44  
**IT/34 010 40** Limitors (pair) £9.85



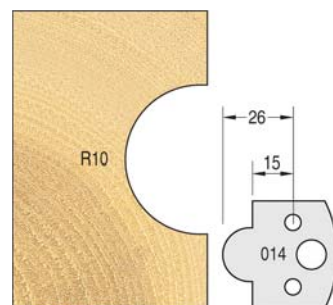
**IT/33 011 40** Knives (pair) £10.44  
**IT/34 011 40** Limitors (pair) £9.85



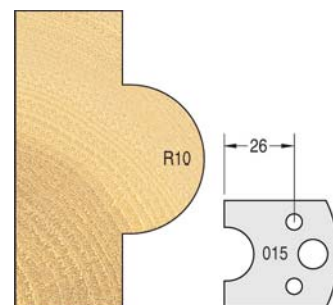
**IT/33 012 40** Knives (pair) £10.44  
**IT/34 012 40** Limitors (pair) £9.85



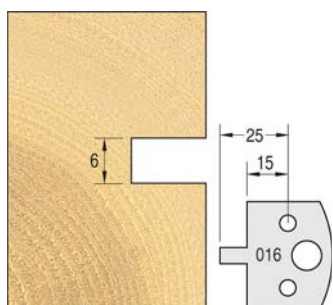
**IT/33 013 40** Knives (pair) £10.44  
**IT/34 013 40** Limitors (pair) £9.85



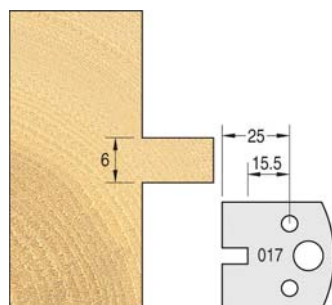
**IT/33 014 40** Knives (pair) £10.44  
**IT/34 014 40** Limitors (pair) £9.85



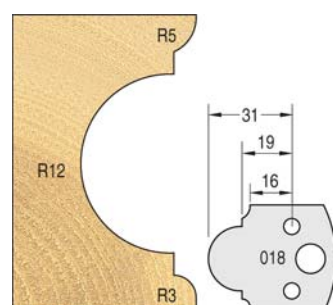
**IT/33 015 40** Knives (pair) £10.44  
**IT/34 015 40** Limitors (pair) £9.85



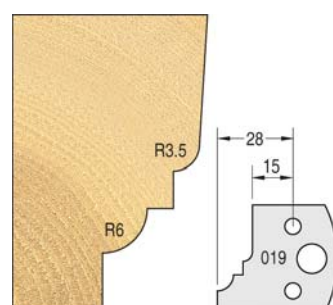
**IT/33 016 40** Knives (pair) £10.44  
**IT/34 016 40** Limitors (pair) £9.85



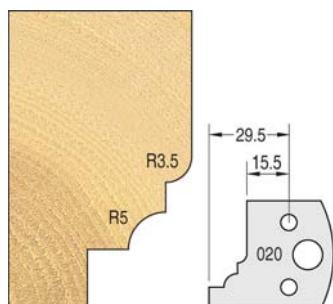
**IT/33 017 40** Knives (pair) £10.44  
**IT/34 017 40** Limitors (pair) £9.85



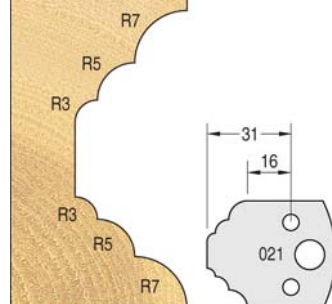
**IT/33 018 40** Knives (pair) £10.44  
**IT/34 018 40** Limitors (pair) £9.85



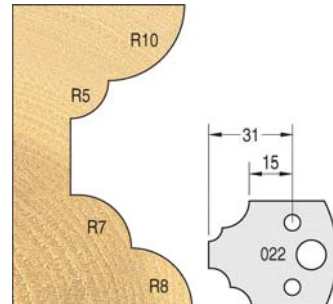
**IT/33 019 40** Knives (pair) £10.44  
**IT/34 019 40** Limitors (pair) £9.85



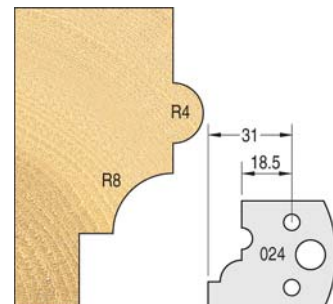
**IT/33 020 40** Knives (pair) £10.44  
**IT/34 020 40** Limitors (pair) £9.85



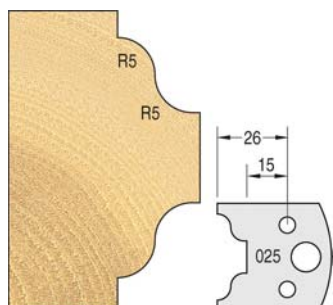
**IT/33 021 40** Knives (pair) £10.44  
**IT/34 021 40** Limitors (pair) £9.85



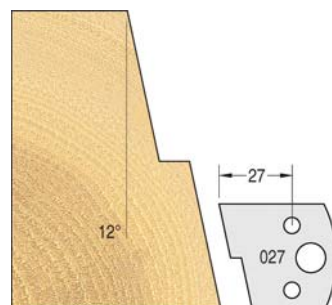
**IT/33 022 40** Knives (pair) £10.44  
**IT/34 022 40** Limitors (pair) £9.85



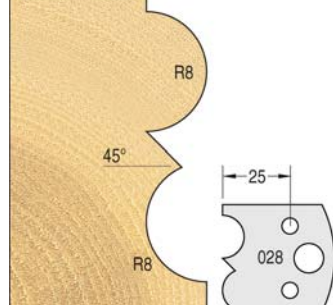
**IT/33 024 40** Knives (pair) £10.44  
**IT/34 024 40** Limitors (pair) £9.85



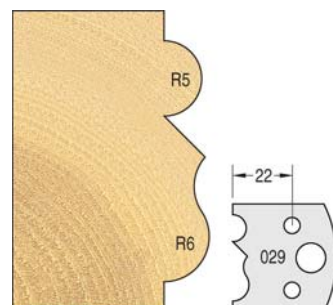
**IT/33 025 40** Knives (pair) £10.44  
**IT/34 025 40** Limitors (pair) £9.85



**IT/33 027 40** Knives (pair) £10.44  
**IT/34 027 40** Limitors (pair) £9.85

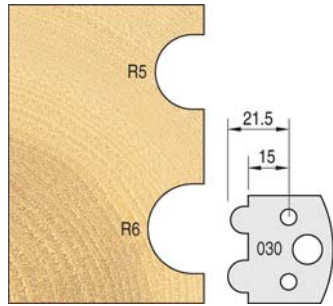


**IT/33 028 40** Knives (pair) £10.44  
**IT/34 028 40** Limitors (pair) £9.85

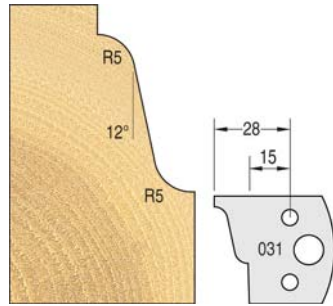


**IT/33 029 40** Knives (pair) £10.44  
**IT/34 029 40** Limitors (pair) £9.85

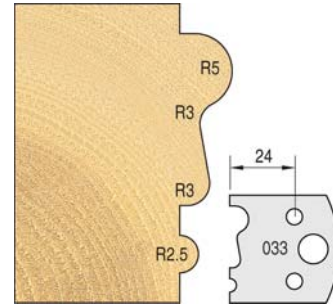
TOOL STEEL MULTI PROFILE CUTTERS 40X4MM



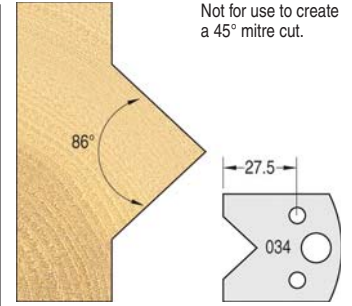
**IT/33 030 40** Knives (pair) £10.44  
**IT/34 030 40** Limitors (pair) £9.85



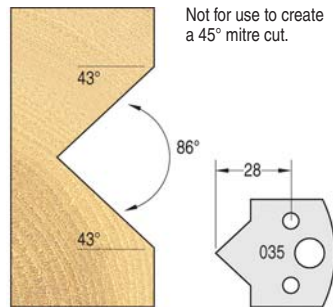
**IT/33 031 40** Knives (pair) £10.44  
**IT/34 031 40** Limitors (pair) £9.85



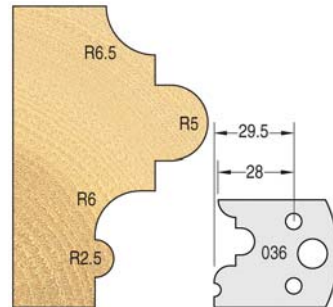
**IT/33 033 40** Knives (pair) £10.44  
**IT/34 033 40** Limitors (pair) £9.85



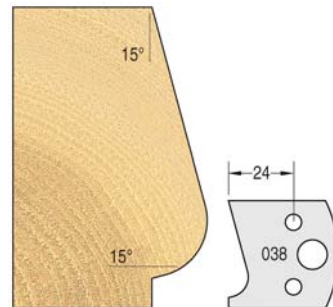
**IT/33 034 40** Knives (pair) £10.44  
**IT/34 034 40** Limitors (pair) £9.85



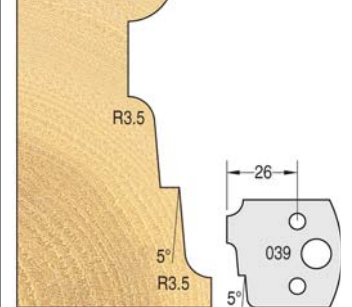
**IT/33 035 40** Knives (pair) £10.44  
**IT/34 035 40** Limitors (pair) £9.85



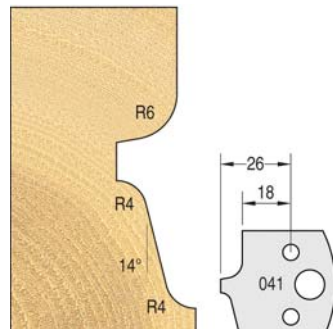
**IT/33 036 40** Knives (pair) £10.44  
**IT/34 036 40** Limitors (pair) £9.85



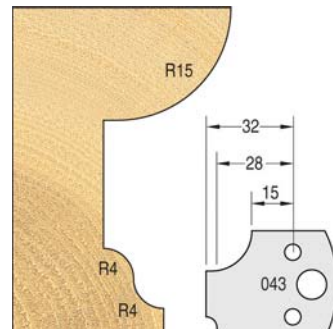
**IT/33 038 40** Knives (pair) £10.44  
**IT/34 038 40** Limitors (pair) £9.85



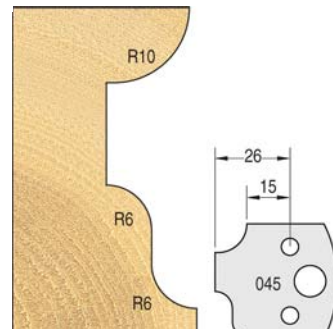
**IT/33 039 40** Knives (pair) £10.44  
**IT/34 039 40** Limitors (pair) £9.85



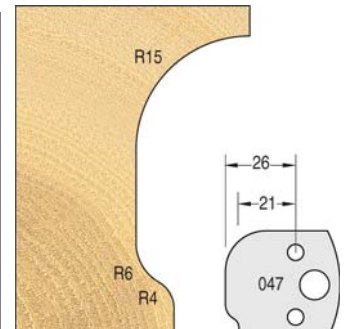
**IT/33 041 40** Knives (pair) £10.44  
**IT/34 041 40** Limitors (pair) £9.85



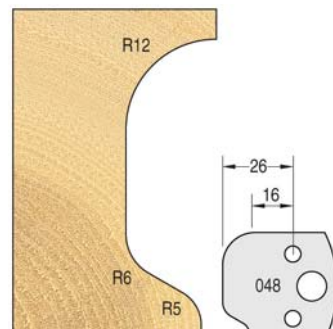
**IT/33 043 40** Knives (pair) £10.44  
**IT/34 043 40** Limitors (pair) £9.85



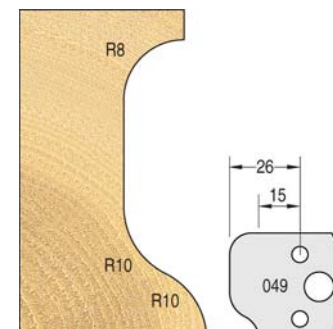
**IT/33 045 40** Knives (pair) £10.44  
**IT/34 045 40** Limitors (pair) £9.85



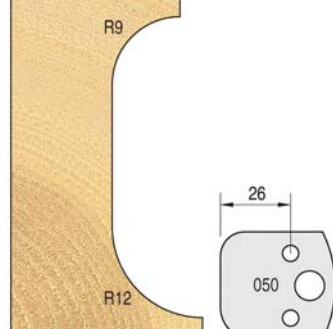
**IT/33 047 40** Knives (pair) £10.44  
**IT/34 047 40** Limitors (pair) £9.85



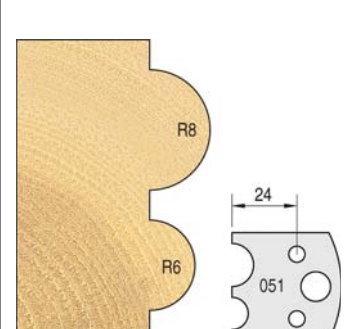
**IT/33 048 40** Knives (pair) £10.44  
**IT/34 048 40** Limitors (pair) £9.85



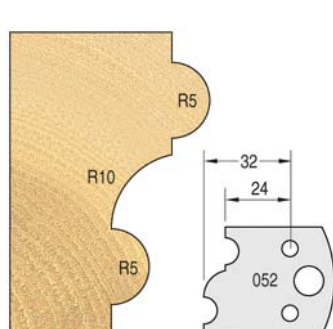
**IT/33 049 40** Knives (pair) £10.44  
**IT/34 049 40** Limitors (pair) £9.85



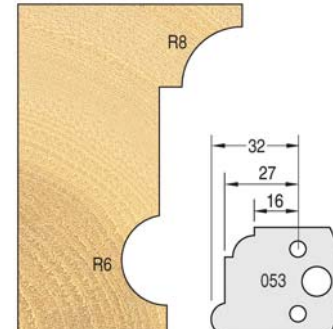
**IT/33 050 40** Knives (pair) £10.44  
**IT/34 050 40** Limitors (pair) £9.85



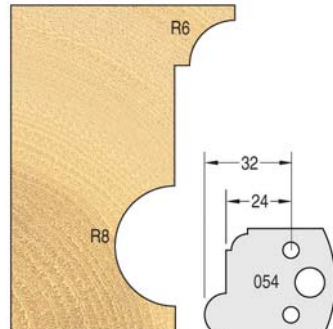
**IT/33 051 40** Knives (pair) £10.44  
**IT/34 051 40** Limitors (pair) £9.85



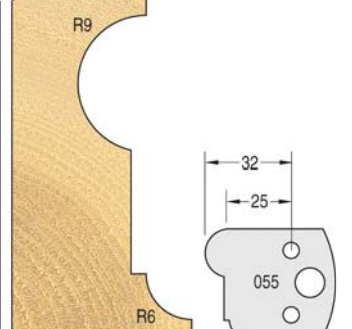
**IT/33 052 40** Knives (pair) £10.44  
**IT/34 052 40** Limitors (pair) £9.85



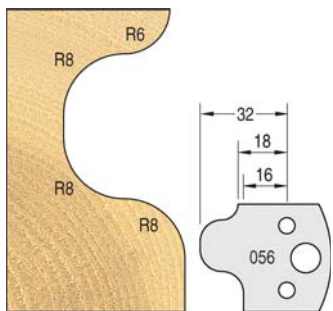
**IT/33 053 40** Knives (pair) £10.44  
**IT/34 053 40** Limitors (pair) £9.85



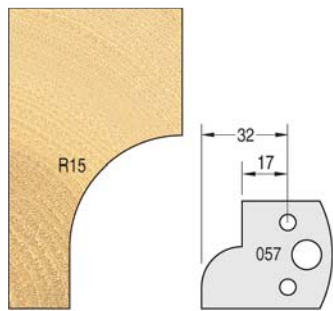
**IT/33 054 40** Knives (pair) £10.44  
**IT/34 054 40** Limitors (pair) £9.85



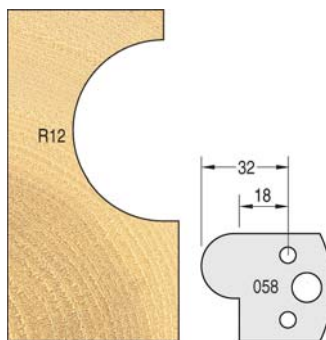
**IT/33 055 40** Knives (pair) £10.44  
**IT/34 055 40** Limitors (pair) £9.85



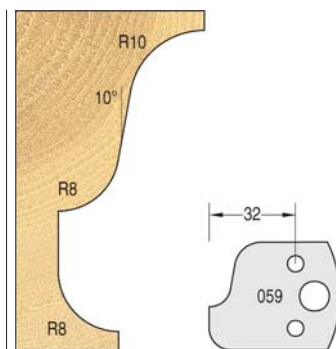
**IT/33 056 40** Knives (pair) \_\_\_ £10.44  
**IT/34 056 40** Limitors (pair) \_\_\_ £9.85



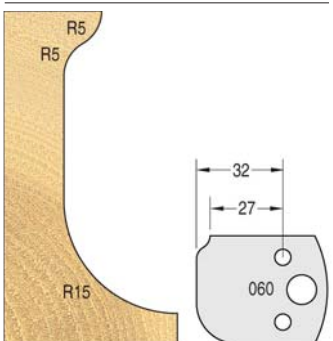
**IT/33 057 40** Knives (pair) \_\_\_ £10.44  
**IT/34 057 40** Limitors (pair) \_\_\_ £9.85



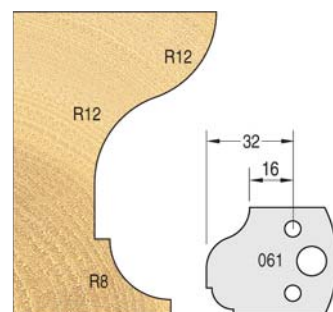
**IT/33 058 40** Knives (pair) \_\_\_ £10.44  
**IT/34 058 40** Limitors (pair) \_\_\_ £9.85



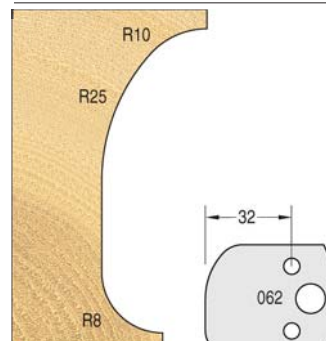
**IT/33 059 40** Knives (pair) \_\_\_ £10.44  
**IT/34 059 40** Limitors (pair) \_\_\_ £9.85



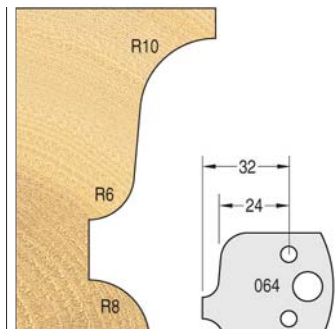
**IT/33 060 40** Knives (pair) \_\_\_ £10.44  
**IT/34 060 40** Limitors (pair) \_\_\_ £9.85



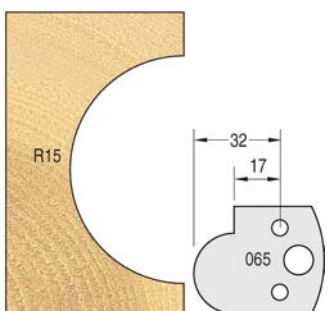
**IT/33 061 40** Knives (pair) \_\_\_ £10.44  
**IT/34 061 40** Limitors (pair) \_\_\_ £9.85



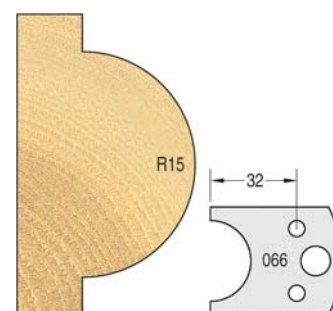
**IT/33 062 40** Knives (pair) \_\_\_ £10.44  
**IT/34 062 40** Limitors (pair) \_\_\_ £9.85



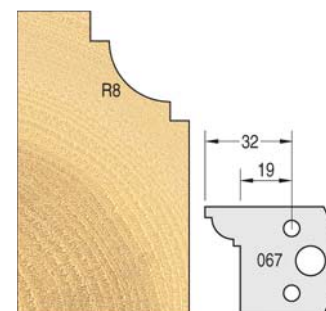
**IT/33 064 40** Knives (pair) \_\_\_ £10.44  
**IT/34 064 40** Limitors (pair) \_\_\_ £9.85



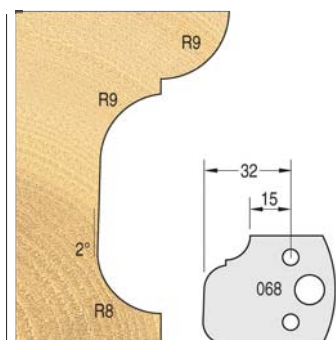
**IT/33 065 40** Knives (pair) \_\_\_ £10.44  
**IT/34 065 40** Limitors (pair) \_\_\_ £9.85



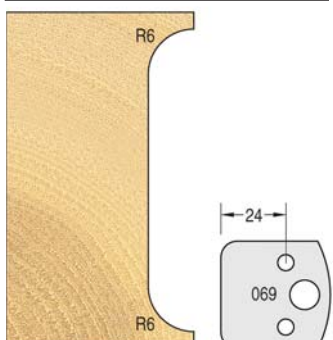
**IT/33 066 40** Knives (pair) \_\_\_ £10.44  
**IT/34 066 40** Limitors (pair) \_\_\_ £9.85



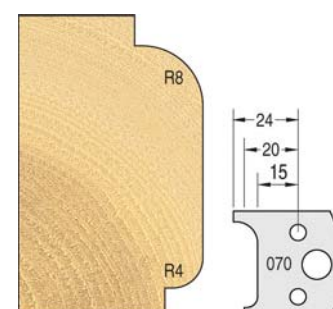
**IT/33 067 40** Knives (pair) \_\_\_ £10.44  
**IT/34 067 40** Limitors (pair) \_\_\_ £9.85



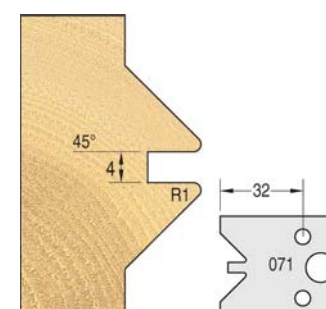
**IT/33 068 40** Knives (pair) \_\_\_ £10.44  
**IT/34 068 40** Limitors (pair) \_\_\_ £9.85



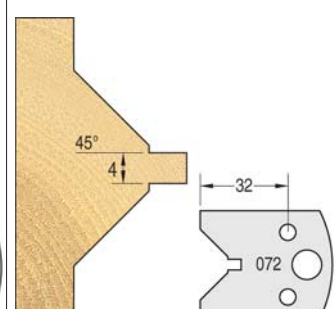
**IT/33 069 40** Knives (pair) \_\_\_ £10.44  
**IT/34 069 40** Limitors (pair) \_\_\_ £9.85



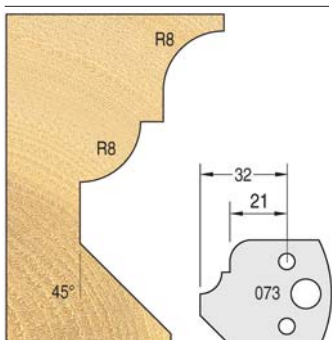
**IT/33 070 40** Knives (pair) \_\_\_ £10.44  
**IT/34 070 40** Limitors (pair) \_\_\_ £9.85



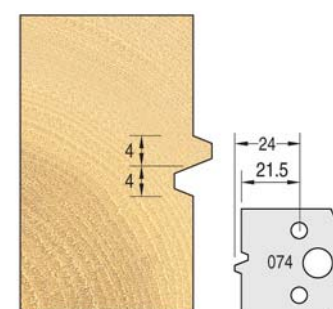
**IT/33 071 40** Knives (pair) \_\_\_ £10.44  
**IT/34 071 40** Limitors (pair) \_\_\_ £9.85



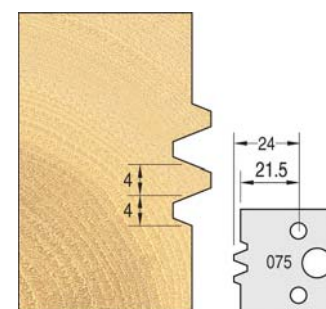
**IT/33 072 40** Knives (pair) \_\_\_ £10.44  
**IT/34 072 40** Limitors (pair) \_\_\_ £9.85



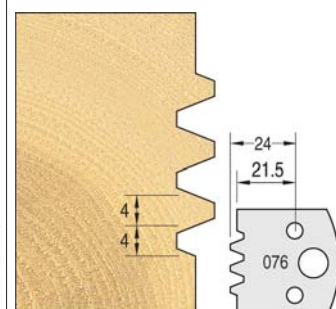
**IT/33 073 40** Knives (pair) \_\_\_ £10.44  
**IT/34 073 40** Limitors (pair) \_\_\_ £9.85



**IT/33 074 40** Knives (pair) \_\_\_ £10.44  
**IT/34 074 40** Limitors (pair) \_\_\_ £9.85

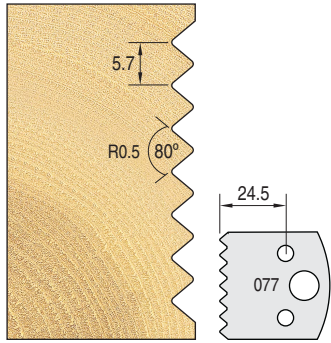


**IT/33 075 40** Knives (pair) \_\_\_ £10.44  
**IT/34 075 40** Limitors (pair) \_\_\_ £9.85

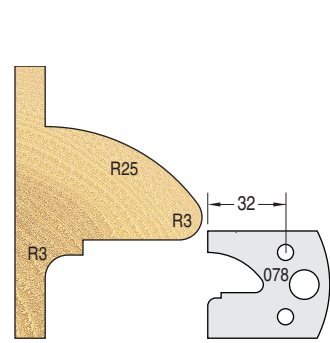


**IT/33 076 40** Knives (pair) \_\_\_ £10.44  
**IT/34 076 40** Limitors (pair) \_\_\_ £9.85

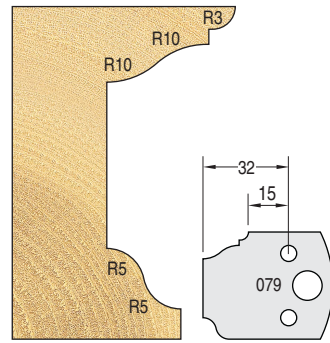
TOOL STEEL MULTI PROFILE CUTTERS 40X4MM



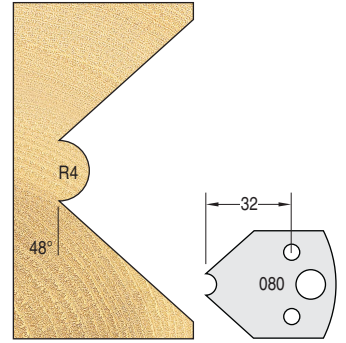
IT/33 077 40 Knives (pair) £10.44  
IT/34 077 40 Limitors (pair) £9.85



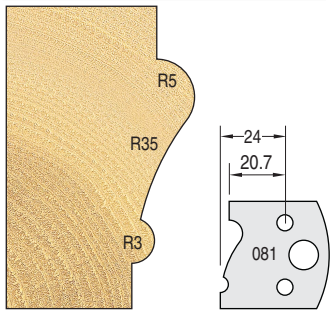
IT/33 078 40 Knives (pair) £10.44  
IT/34 078 40 Limitors (pair) £9.85



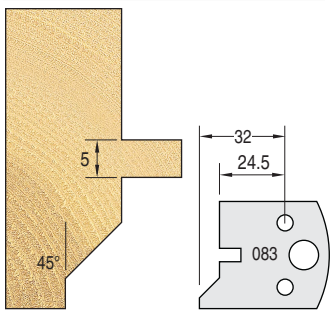
IT/33 079 40 Knives (pair) £10.44  
IT/34 079 40 Limitors (pair) £9.85



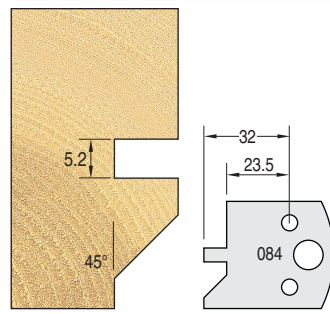
IT/33 080 40 Knives (pair) £10.44  
IT/34 080 40 Limitors (pair) £9.85



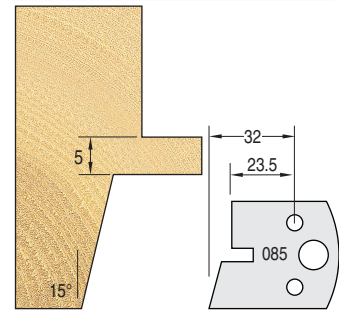
IT/33 081 40 Knives (pair) £10.44  
IT/34 081 40 Limitors (pair) £9.85



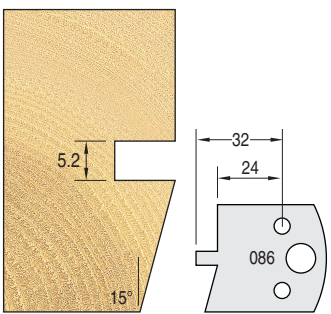
IT/33 083 40 Knives (pair) £10.44  
IT/34 083 40 Limitors (pair) £9.85



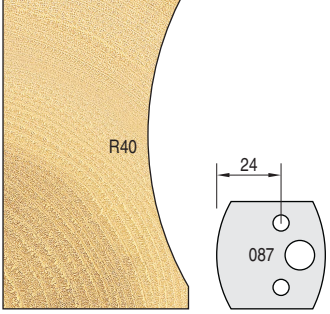
IT/33 084 40 Knives (pair) £10.44  
IT/34 084 40 Limitors (pair) £9.85



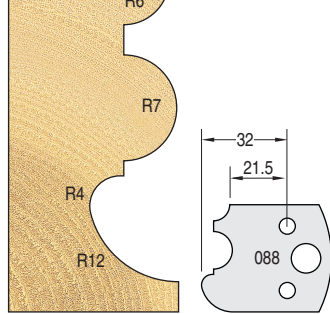
IT/33 085 40 Knives (pair) £10.44  
IT/34 085 40 Limitors (pair) £9.85



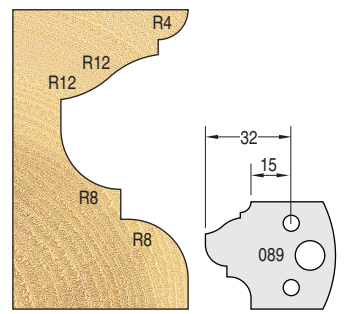
IT/33 086 40 Knives (pair) £10.44  
IT/34 086 40 Limitors (pair) £9.85



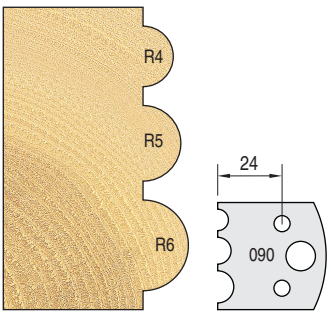
IT/33 087 40 Knives (pair) £10.44  
IT/34 087 40 Limitors (pair) £9.85



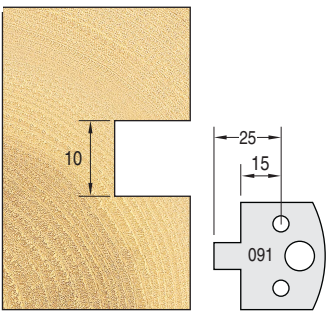
IT/33 088 40 Knives (pair) £10.44  
IT/34 088 40 Limitors (pair) £9.85



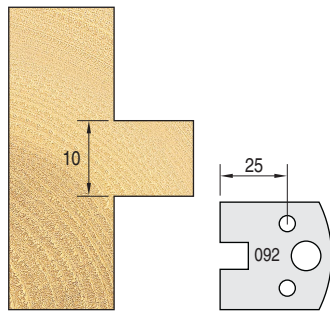
IT/33 089 40 Knives (pair) £10.44  
IT/34 089 40 Limitors (pair) £9.85



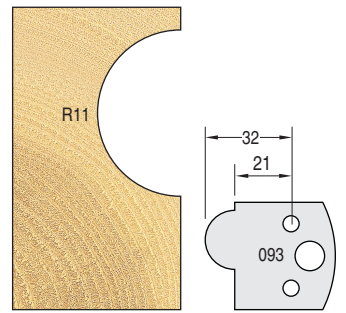
IT/33 090 40 Knives (pair) £10.44  
IT/34 090 40 Limitors (pair) £9.85



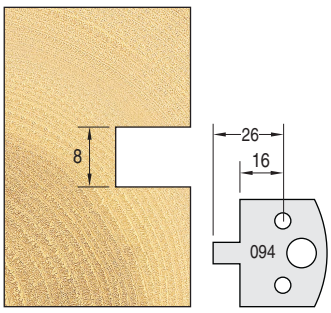
IT/33 091 40 Knives (pair) £10.44  
IT/34 091 40 Limitors (pair) £9.85



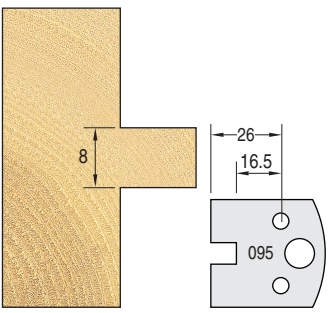
IT/33 092 40 Knives (pair) £10.44  
IT/34 092 40 Limitors (pair) £9.85



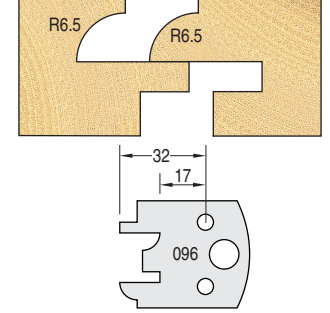
IT/33 093 40 Knives (pair) £10.44  
IT/34 093 40 Limitors (pair) £9.85



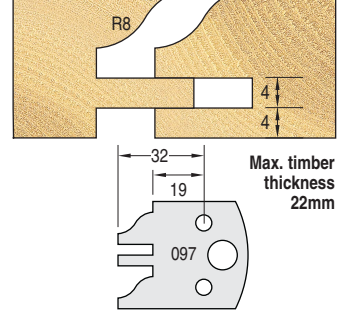
IT/33 094 40 Knives (pair) £10.44  
IT/34 094 40 Limitors (pair) £9.85



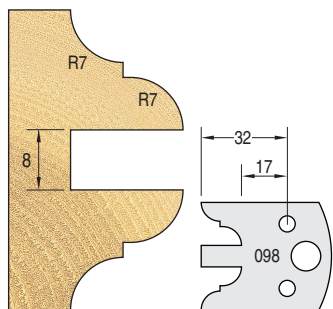
IT/33 095 40 Knives (pair) £10.44  
IT/34 095 40 Limitors (pair) £9.85



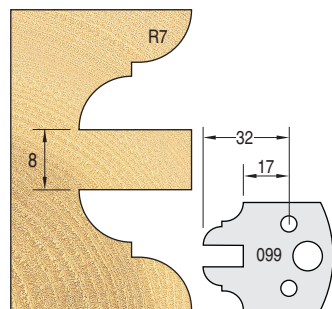
IT/33 096 40 Knives (pair) £10.44  
IT/34 096 40 Limitors (pair) £9.85



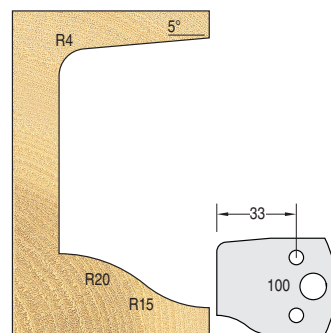
IT/33 097 40 Knives (pair) £10.44  
IT/34 097 40 Limitors (pair) £9.85



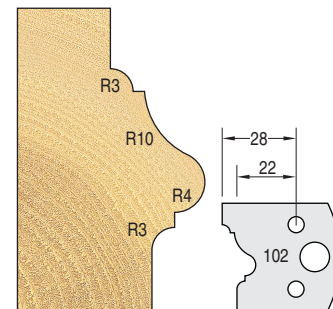
IT/33 098 40 Knives (pair) £10.44  
IT/34 098 40 Limitors (pair) £9.85



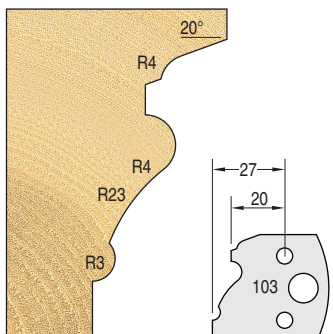
IT/33 099 40 Knives (pair) £10.44  
IT/34 099 40 Limitors (pair) £9.85



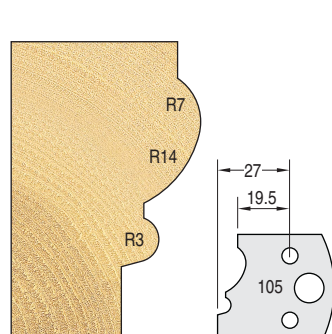
IT/33 100 40 Knives (pair) £10.44  
IT/34 100 40 Limitors (pair) £9.85



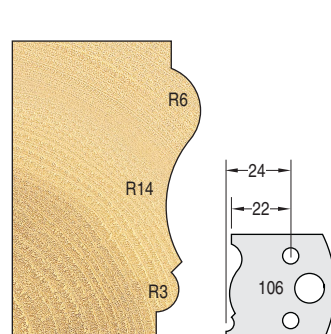
IT/33 102 40 Knives (pair) £10.44  
IT/34 102 40 Limitors (pair) £9.85



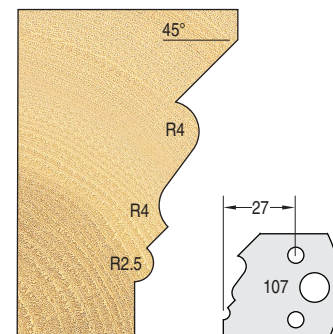
IT/33 103 40 Knives (pair) £10.44  
IT/34 103 40 Limitors (pair) £9.85



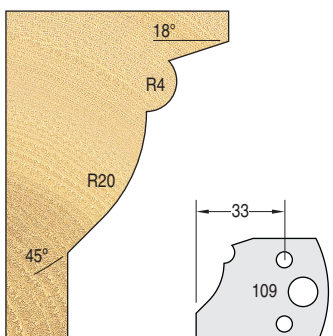
IT/33 105 40 Knives (pair) £10.44  
IT/34 105 40 Limitors (pair) £9.85



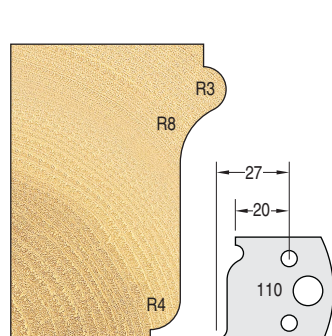
IT/33 106 40 Knives (pair) £10.44  
IT/34 106 40 Limitors (pair) £9.85



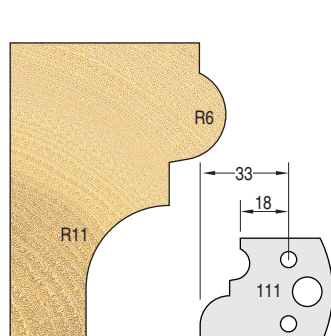
IT/33 107 40 Knives (pair) £10.44  
IT/34 107 40 Limitors (pair) £9.85



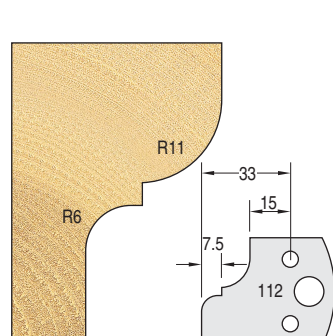
IT/33 109 40 Knives (pair) £10.44  
IT/34 109 40 Limitors (pair) £9.85



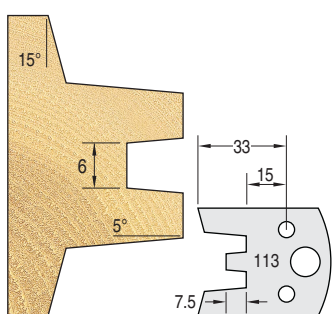
IT/33 110 40 Knives (pair) £10.44  
IT/34 110 40 Limitors (pair) £9.85



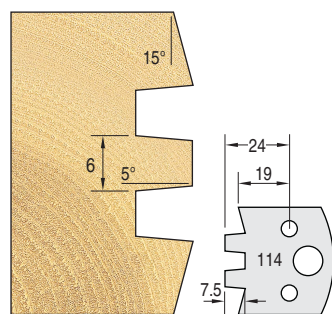
IT/33 111 40 Knives (pair) £10.44  
IT/34 111 40 Limitors (pair) £9.85



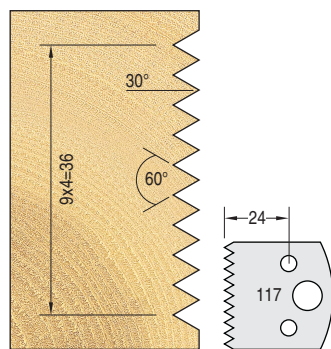
IT/33 112 40 Knives (pair) £10.44  
IT/34 112 40 Limitors (pair) £9.85



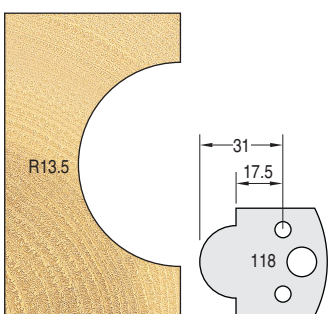
IT/33 113 40 Knives (pair) £10.44  
IT/34 113 40 Limitors (pair) £9.85



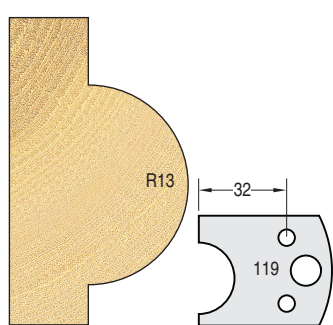
IT/33 114 40 Knives (pair) £10.44  
IT/34 114 40 Limitors (pair) £9.85



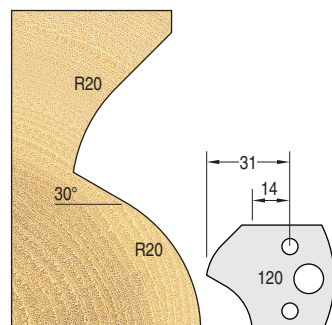
IT/33 117 40 Knives (pair) £10.44  
IT/34 117 40 Limitors (pair) £9.85



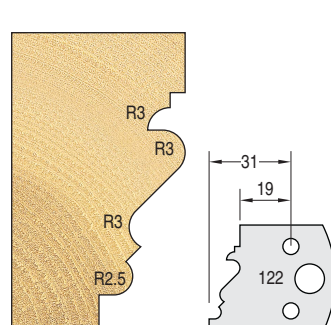
IT/33 118 40 Knives (pair) £10.44  
IT/34 118 40 Limitors (pair) £9.85



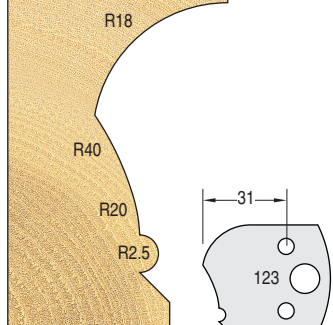
IT/33 119 40 Knives (pair) £10.44  
IT/34 119 40 Limitors (pair) £9.85



IT/33 120 40 Knives (pair) £10.44  
IT/34 120 40 Limitors (pair) £9.85



IT/33 122 40 Knives (pair) £10.44  
IT/34 122 40 Limitors (pair) £9.85

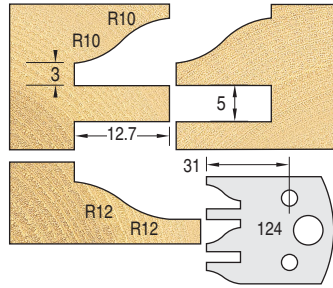


IT/33 123 40 Knives (pair) £10.44  
IT/34 123 40 Limitors (pair) £9.85

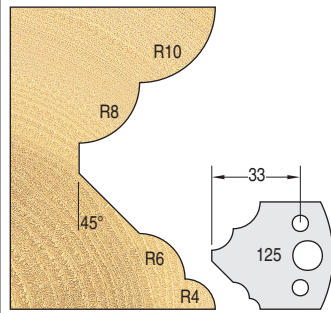
TOOL STEEL MULTI PROFILE CUTTERS 40X4MM

For moulding on one side only

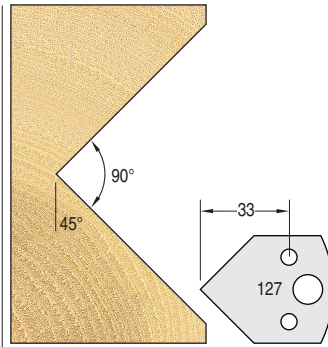
Max. timber thickness 18mm



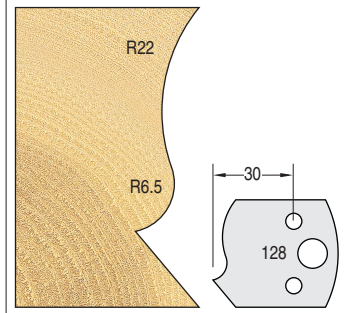
IT/33 124 40 Knives (pair) £10.44  
IT/34 124 40 Limitors (pair) £9.85



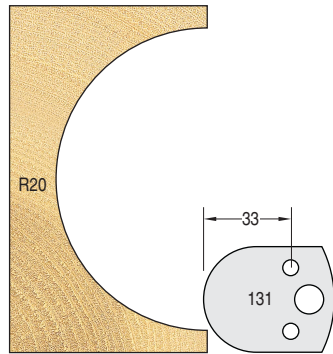
IT/33 125 40 Knives (pair) £10.44  
IT/34 125 40 Limitors (pair) £9.85



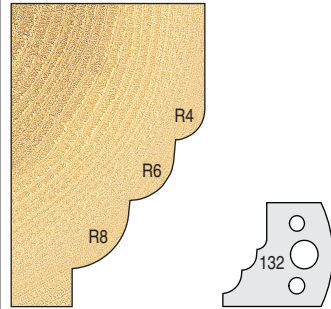
IT/33 127 40 Knives (pair) £10.44  
IT/34 127 40 Limitors (pair) £9.85



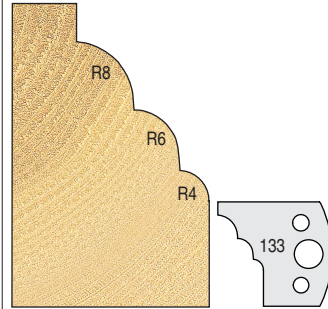
IT/33 128 40 Knives (pair) £10.44  
IT/34 128 40 Limitors (pair) £9.85



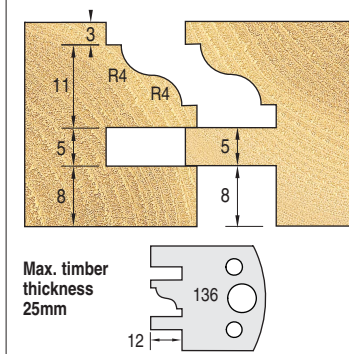
IT/33 131 40 Knives (pair) £10.44  
IT/34 131 40 Limitors (pair) £9.85



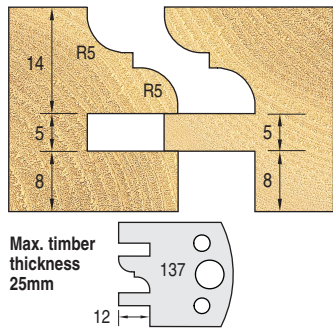
IT/33 132 40 Knives (pair) £10.44  
IT/34 132 40 Limitors (pair) £9.85



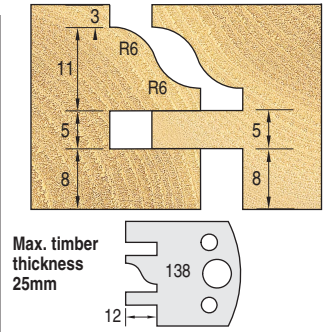
IT/33 133 40 Knives (pair) £10.44  
IT/34 133 40 Limitors (pair) £9.85



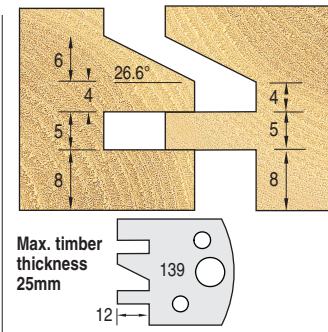
IT/33 136 40 Knives (pair) £16.22  
IT/34 136 40 Limitors (pair) £12.75



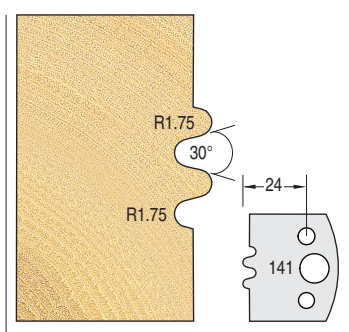
IT/33 137 40 Knives (pair) £16.22  
IT/34 137 40 Limitors (pair) £12.75



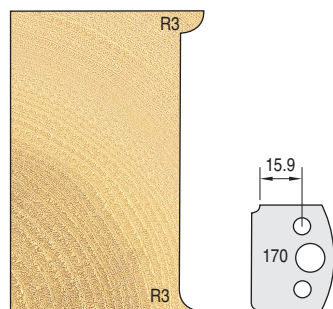
IT/33 138 40 Knives (pair) £16.22  
IT/34 138 40 Limitors (pair) £12.75



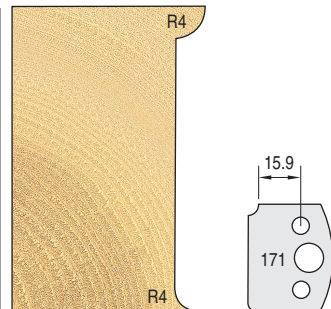
IT/33 139 40 Knives (pair) £16.22  
IT/34 139 40 Limitors (pair) £12.75



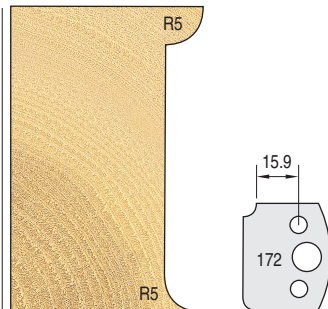
IT/33 141 40 Knives (pair) £16.22  
IT/34 141 40 Limitors (pair) £12.75



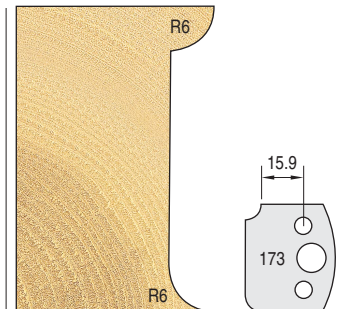
IT/33 170 40 Knives (pair) £10.44  
IT/34 170 40 Limitors (pair) £9.85



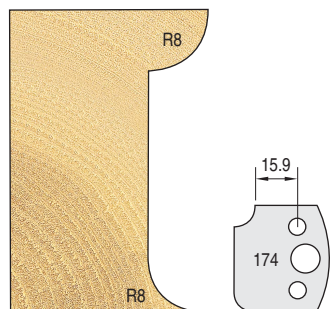
IT/33 171 40 Knives (pair) £10.44  
IT/34 171 40 Limitors (pair) £9.85



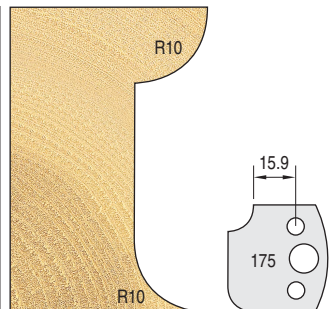
IT/33 172 40 Knives (pair) £10.44  
IT/34 172 40 Limitors (pair) £9.85



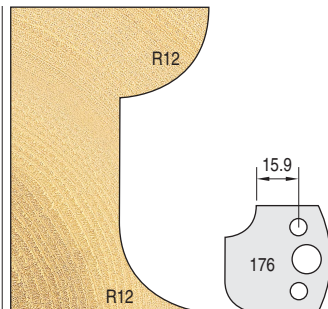
IT/33 173 40 Knives (pair) £10.44  
IT/34 173 40 Limitors (pair) £9.85



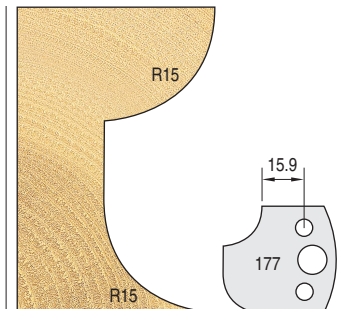
IT/33 174 40 Knives (pair) £10.44  
IT/34 174 40 Limitors (pair) £9.85



IT/33 175 40 Knives (pair) £10.44  
IT/34 175 40 Limitors (pair) £9.85



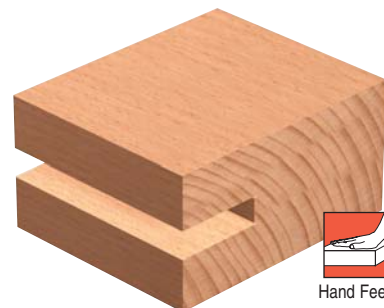
IT/33 176 40 Knives (pair) £10.44  
IT/34 176 40 Limitors (pair) £9.85



IT/33 177 40 Knives (pair) £10.44  
IT/34 177 40 Limitors (pair) £9.85

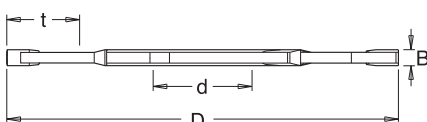
# 3-16MM GROOVING CUTTERS

- Hard wearing steel body complete with six Tungsten Carbide Tips.
- Suitable for producing grooves and slots in softwood, hardwood and man-made boards on a spindle moulder.
- Tungsten Carbide teeth can be re-ground (will effect tool dimensions).
- Recommended RPM (n) 10,500.
- Suitable for Hand Feeding (MAN).
- IT/712 0941(7) - by combining the four cutters and spacers from the set, cutting width can be adjusted from 3.0mm to 18.0mm.



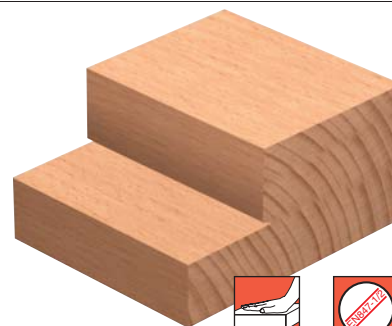
**TCT**

Diameter D	Cut C	Product Ref.	No. of Teeth	Bore d	Depth of Cut t	Max. RPM	Price
125mm	3mm	IT/707 001 1	6	30mm	32mm	10,500	£77.27
125mm	3mm	IT/707 001 7	6	1-1/4"	32mm	10,500	£77.27
125mm	4mm	IT/707 004 1	6	30mm	32mm	10,500	£77.27
125mm	4mm	IT/707 004 7	6	1-1/4"	32mm	10,500	£77.27
125mm	5mm	IT/707 007 1	6	30mm	32mm	10,500	£79.45
125mm	5mm	IT/707 007 7	6	1-1/4"	32mm	10,500	£79.45
125mm	6mm	IT/707 010 1	6	30mm	32mm	10,500	£83.22
125mm	6mm	IT/707 010 7	6	1-1/4"	32mm	10,500	£83.22
125mm	8mm	IT/707 013 1	6	30mm	32mm	10,500	£87.60
125mm	8mm	IT/707 013 7	6	1-1/4"	32mm	10,500	£87.60
125mm	10mm	IT/707 016 1	6	30mm	32mm	10,500	£94.17
125mm	10mm	IT/707 016 7	6	1-1/4"	32mm	10,500	£94.17
125mm	12mm	IT/707 019 1	6	30mm	32mm	10,500	£99.66
125mm	12mm	IT/707 019 7	6	1-1/4"	32mm	10,500	£99.66
125mm	14mm	IT/707 022 1	6	30mm	32mm	10,500	£109.02
125mm	14mm	IT/707 022 7	6	1-1/4"	32mm	10,500	£109.02
125mm	16mm	IT/707 025 1	6	30mm	32mm	10,500	£141.15
125mm	3-18mm	IT/712 094 1	4	30mm	32mm	10,500	£220.17
125mm	3-18mm	IT/712 094 7	4	1-1/4"	32mm	10,500	£220.17



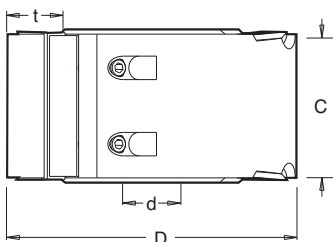
# DISPOSABLE INSERT REBATING CUTTER BLOCKS

- Cutterhead body in hard wearing aluminium, complete with disposable Tungsten Carbide knives and scorers for improved finish.
- Suitable for producing various thickness rebates in softwood, hardwood and man-made boards (with or without coating) on a spindle moulder.



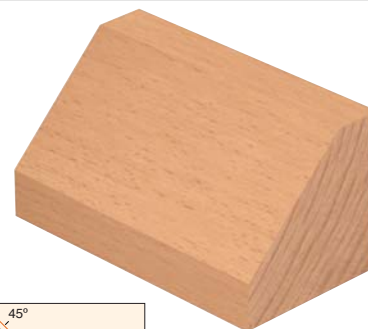
**TCT**

Diameter D	Cut C	Product Ref.	No. of Teeth	Bore d	Depth of Cut t	Max. RPM	Price
90mm	40mm	IT/733 201 1	2+4	30mm	15mm	8,500 - 12,000	£82.61
90mm	40mm	IT/733 201 7	2+4	1-1/4"	15mm	8,500 - 12,000	£82.61
125mm	50mm	IT/733 302 1	2+4	30mm	30 mm	6,100 - 10,000	£88.21
125mm	50mm	IT/733 302 7	2+4	1-1/4"	30 mm	6,100 - 10,000	£88.21



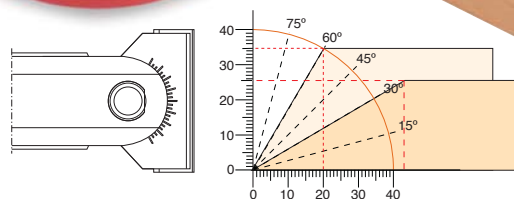
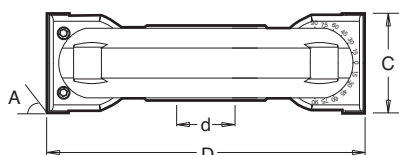
# DISPOSABLE INSERT ADJUSTABLE CHAMFER CUTTER BLOCKS

- Cutterhead body in hard wearing aluminium complete with disposable Tungsten Carbide knives.
- Suitable for producing chamfer cuts at various angles in softwood, hardwood and man-made boards on a spindle moulder.
- Cutting angle can be adjusted in 7.5° steps by using notched scale.
- Fine adjustments of 1° are also possible.



**TCT**

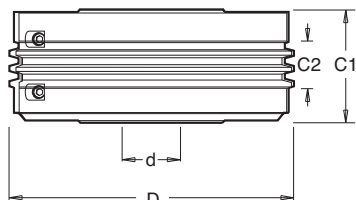
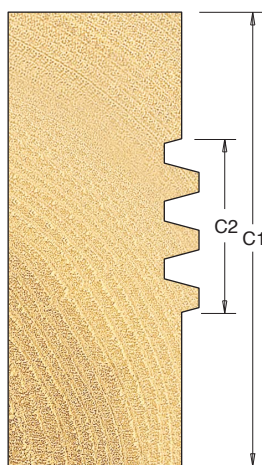
Diameter D	Cut C	Product Ref.	Angle A	Bore d	Max. RPM	Price
120mm	40mm	IT/734 015 1	-45° - +45°	30mm	6,400 - 8,500	£208.68
120mm	40mm	IT/734 015 7	-45° - +45°	1 1/4"	6,400 - 8,500	£208.68





## DISPOSABLE INSERT GLUE JOINT CUTTER BLOCKS

- Cutterhead bodies in hard wearing steel complete with disposable Tungsten Carbide knives.
- Suitable for producing 'finger style' reversible glue joints in softwood, hardwood and man-made boards on a spindle moulder.



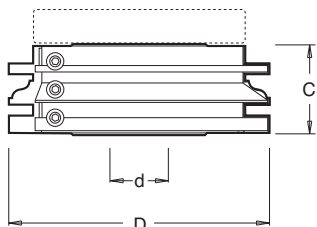
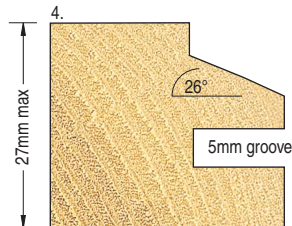
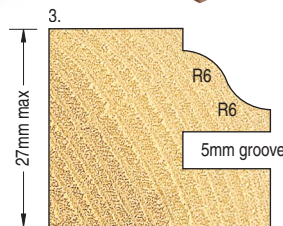
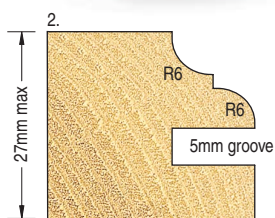
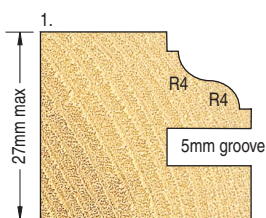
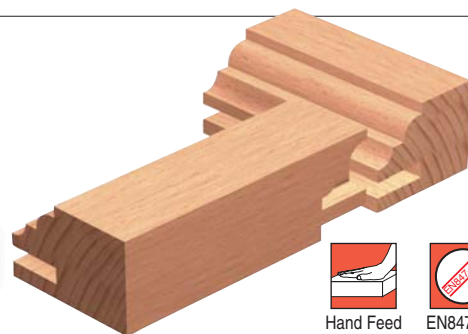
**TCT**



Diameter D	Cut C1	Product Ref.	Cut C2	Bore d	Max. RPM	Price
140mm	60mm	IT/741 005 1	23mm	30mm	5,400 - 8,800	£291.91
140mm	60mm	IT/741 005 7	23mm	1-1/4"	5,400 - 8,800	£291.91

## DISPOSABLE INSERT PROFILE/COUNTER PROFILE CUTTER BLOCKS

- Cutterhead in hard wearing aluminium, complete with disposable Tungsten Carbide knives.
- Suitable for producing various profile/counter profile joints in softwood, hardwood and man-made boards on a spindle moulder.
- Raising or lowering the cutter on the spindle moulder produces both parts of the joint.
- Same tool body accepts all four different profiles.
- Also available with 1-1/4" bore.



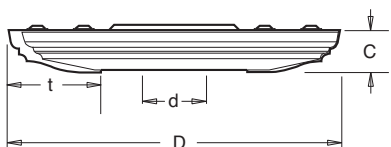
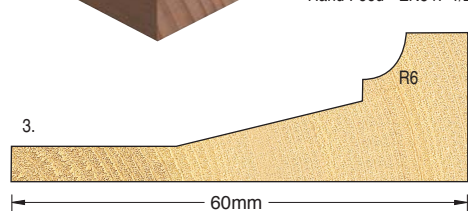
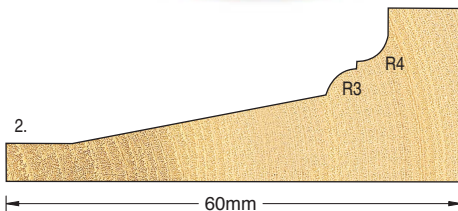
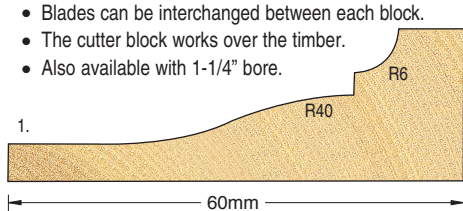
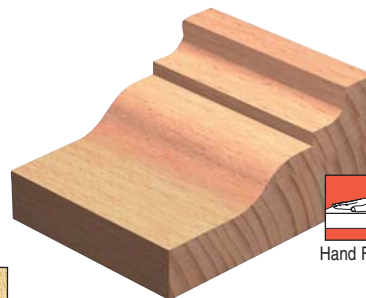
**TCT**



Diameter D	Cut C	Product Ref.	Profile	Bore d	Max. RPM	Price
120mm	40mm	IT/742 031 1	1	30mm	5,000 - 8,400	£163.17
120mm	40mm	IT/742 032 1	2	30mm	5,000 - 8,400	£163.17
120mm	40mm	IT/742 033 1	3	30mm	5,000 - 8,400	£163.17
120mm	40mm	IT/742 034 1	4	30mm	5,000 - 8,400	£163.17

## DISPOSABLE INSERT PANEL RAISING CUTTERHEAD

- Cutterhead in hard wearing aluminium, complete with disposable Tungsten Carbide knives.
- Suitable for producing various raised panel profiles in softwood, hardwood and man-made boards on a spindle moulder.
- Blades can be interchanged between each block.
- The cutter block works over the timber.
- Also available with 1-1/4" bore.



**TCT**



Diameter D	Cut C	Product Ref.	Profile	Bore d	Depth of Cut t	Max. RPM	Price
180mm	25mm	IT/751 072 1	1	30mm	57mm	4,500 - 7,500	£171.54
180mm	25mm	IT/751 073 1	2	30mm	57mm	4,500 - 7,500	£171.54
180mm	25mm	IT/751 074 1	3	30mm	57mm	4,500 - 7,500	£171.54