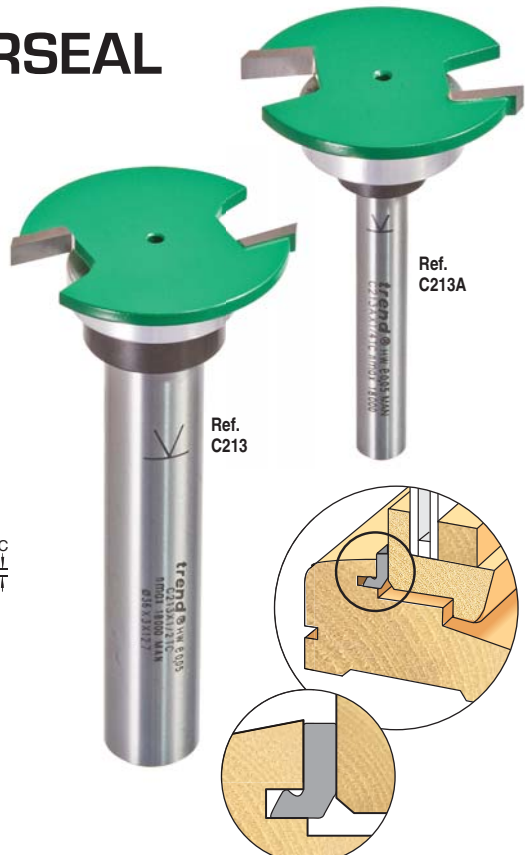
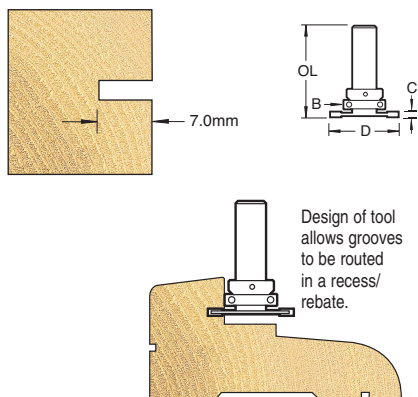


TCT WEATHERSEAL CUTTERS

TUNGSTEN CARBIDE TIPPED

SHANK MOUNTED BEARING GUIDED WEATHERSEAL RECESSER

The weatherseal recessers are designed to create a 7mm deep groove near the bottom of a rebate in a door or window frame to accept barbed weatherseals. Four sizes of resector are offered to suit the most popular sizes of weatherseal.



| WITH 1/4" SHANKS | | | | | | |
|------------------|------|------|-------|--------------|-----------------|-------|
| C mm | D mm | B mm | OL mm | Product Ref. | Shank Dia. 1/4" | Price |
| 2.0 | 34.0 | 20.0 | 55.0 | C210A | £39.11 | |
| 2.5 | 34.0 | 20.0 | 55.0 | C211A | £39.11 | |
| 2.8 | 34.0 | 20.0 | 55.0 | C212A | £39.11 | |
| 3.0 | 34.0 | 20.0 | 55.0 | C213A | £39.11 | |

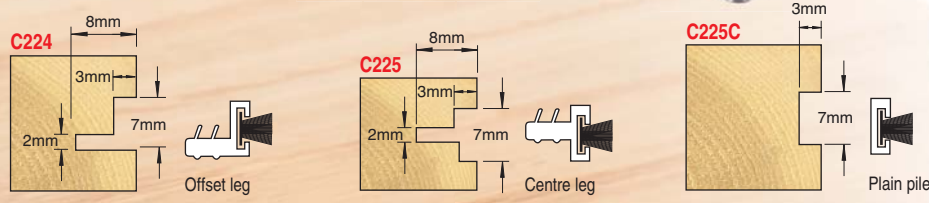
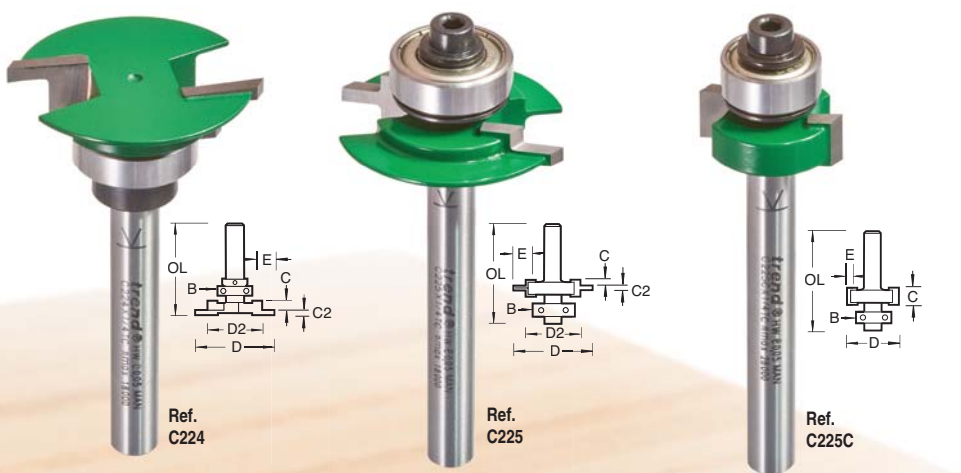
| ALTERNATIVE BEARINGS for other groove depths | | | |
|--|-----------------|--------------|--------|
| Groove Depth mm | Bearing Dia. mm | Product Ref. | Price |
| 5.0 | 24.0 | BB24 | £9.92 |
| 6.0 | 22.0 | BB22 | £10.17 |
| 7.5 | 19.0 | BB19 | £10.13 |
| 8.0 | 18.0 | BB18 | £9.92 |

| WITH 1/2" SHANKS | | | | | | |
|------------------|------|------|-------|--------------|-----------------|-------|
| C mm | D mm | B mm | OL mm | Product Ref. | Shank Dia. 1/2" | Price |
| 2.0 | 36.0 | 22.0 | 80.0 | C210 | £40.09 | |
| 2.5 | 36.0 | 22.0 | 80.0 | C211 | £40.09 | |
| 2.8 | 36.0 | 22.0 | 80.0 | C212 | £40.09 | |
| 3.0 | 36.0 | 22.0 | 80.0 | C213 | £40.09 | |

| ALTERNATIVE BEARINGS for other groove depths | | | |
|--|-----------------|--------------|--------|
| Groove Depth mm | Bearing Dia. mm | Product Ref. | Price |
| 4.0 | 28.0 | B28C | £14.67 |
| 5.3 | 25.4 | B254C | £13.69 |
| 6.0 | 24.0 | B24C | £9.58 |
| 6.5 | 23.0 | B23C | £9.58 |
| 8.5 | 19.0 | B19C | £7.16 |

BEARING GUIDED PILE CARRIER CUTTER

Create a groove for pile carriers using a smaller router where application allows. Two fluted for fine finish with three types to suit centre leg, offset or plain pile carrier. Ideal for grooving for parting bead.



HAND MITRE SHEARS

For perfect snipping & mitre cuts of weatherseal, mouldings & beading. See page 218 for full details.

Product Ref.
HM/SHEAR
HM/SHEAR/A

WITH 1/4" SHANKS

| C mm | C2 mm | D mm | D2 mm | E mm | B mm | OL mm | Product Ref. | Shank Dia. 1/4" | Price |
|------|-------|------|-------|------|------|-------|--------------|-----------------|-------|
| 5.0 | 2.0 | 31.9 | 21.9 | 8.0 | 15.9 | 57 | C224 | £44.90 | |
| 2.5 | 2.0 | 31.9 | 21.9 | 8.0 | 15.9 | 57 | C225 | £39.85 | |
| 7.0 | - | 18.7 | - | 3.0 | 12.7 | 58 | C225C | £32.63 | |



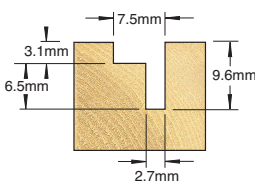
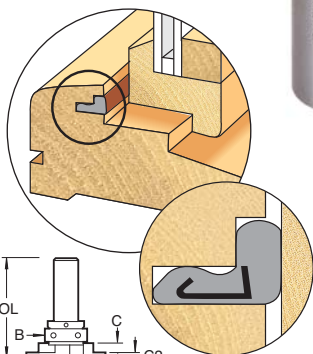
RECESSER

Shank Mounted Bearing Guided Aquamac 63 & Aquatex P6 Style.

Ref. C206 is designed to accommodate the popular Schlegel® Aquamac 63 & Exitex® Aquatex P6 weatherseals and allows for a particularly small gap between sash and frame. The slot can be positioned part way down the side of the rebate, or at the bottom of the rebate.



Applications for Bearing Guided Cutters



| D mm | D2 mm | C mm | C2 mm | B mm | OL mm | Product Ref. | Shank Dia. 1/2" |
|------|-------|------|-------|------|-------|--------------|-----------------|
| 41.3 | 28.3 | 4.8 | 2.7 | 22.0 | 67.0 | C206 | £57.28 |

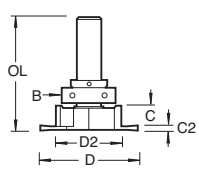
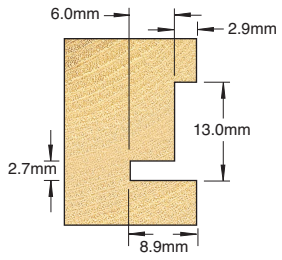
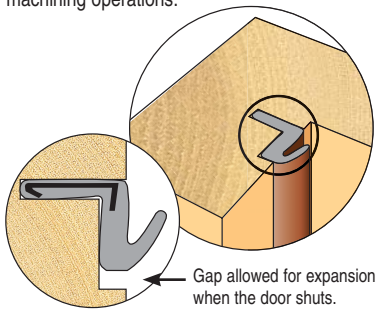
RECESSER

Shank Mounted Bearing Guided Aquamac 21 & Aquatex A10 Style.

Ref. C207 resector will accommodate Schlegel® Aquamac 21 & Exitex® Aquatex A10 seals. This cutter is designed for use in a wiping mode and comes complete with a guide bearing to reduce setting-up time and simplify machining operations.



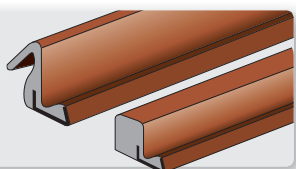
18,000



| D mm | D2 mm | C mm | C2 mm | B mm | OL mm | Product Ref. | Shank Dia. 1/2" |
|------|-------|------|-------|------|-------|--------------|-----------------|
| 46.3 | 34.3 | 10.3 | 2.7 | 28.6 | 90.0 | C207 | £57.28 |

AQUA WEATHERSEALS

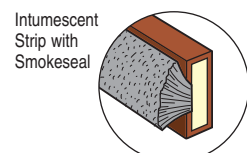
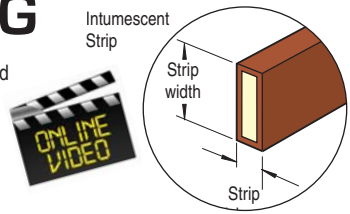
See page 188 for full details.



TCT TUNGSTEN CARBIDE TIPPED

INTUMESCENT RECESSING

- For either frame or door applications, with standard Intumescent Strip.
- Neatly cuts grooves on doors or frames to accept Intumescent Strip which enables the formation of effective barriers to both fire and smoke.
- By using alternative ball bearing diameters, other seal thicknesses can be introduced.
- Alternative bearings can be purchased to suit other thicknesses.



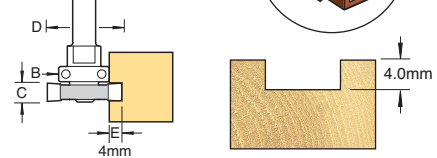
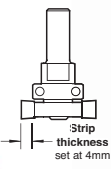
RECESSER

Shank Mounted Bearing Guided 1/4" Shank.

For 4.0mm thick intumescent strip. Ref. C209 is for 10.0mm width. Ref. C220 is for 15.0mm width.



Ref. C209



| C mm | D mm | B mm | E mm | Product Ref. | Shank Dia. 1/4" |
|------|------|------|------|--------------|-----------------|
| 10.0 | 24.0 | 16.0 | 4.0 | C209 | £29.91 |
| 15.0 | 24.0 | 16.0 | 4.0 | C220 | £31.37 |

| REPLACEMENT PARTS | | Product Ref. | Price |
|-------------------|--|--------------|--------|
| Slotter 10mm kerf | | SP-C209C | £21.68 |
| Slotter 15mm kerf | | SP-C220C | £19.74 |
| Arbor for C209 | | 33/23 | £8.96 |
| Arbor for C220 | | 33/25 | £11.51 |
| Bearing 16.0mmØ | | B16 | £4.24 |
| Step washer | | BWASH/14 | £1.33 |

ALTERNATIVE BEARINGS for other strip thicknesses

| Strip Thickness mm | Bearing mmØ | Product Ref. | Price |
|--------------------|-------------|--------------|--------|
| 2.0 | 20.0 | B20 | £10.13 |
| 3.0 | 18.0 | B18 | £11.15 |

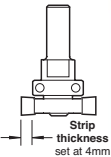
RECESSER

Shank Mounted Bearing Guided 1/2" shank.

For 4.0mm thick intumescent strip. Ref. C208 is for 10.0mm width. Ref. C221 is for 15.0mm width. Ref. C223 is for 20.0mm width.



Ref. C221



| C mm | D mm | B mm | E mm | Product Ref. | Shank Dia. 1/2" |
|------|------|------|------|--------------|-----------------|
| 10.0 | 40.0 | 32.0 | 4.0 | C208 | £43.25 |
| 15.0 | 40.0 | 32.0 | 4.0 | C221 | £44.57 |
| 20.0 | 40.0 | 32.0 | 4.0 | C223 | £66.60 |

| REPLACEMENT PARTS | | Product Ref. | Price |
|-------------------|--|--------------|--------|
| Slotter 10mm kerf | | SP-C208C | £33.08 |
| Slotter 15mm kerf | | SP-C221C | £31.24 |
| Slotter 20mm kerf | | SP-C223C | £32.63 |
| Arbor for C208 | | 33/24 | £10.17 |
| Arbor for C221 | | 33/26 | £11.51 |
| Arbor for C223 | | 33/22 | £14.64 |
| Bearing 32.0mmØ | | B32 | £10.13 |

ALTERNATIVE BEARINGS for other strip thicknesses*

| Strip Thickness mm | Bearing mmØ | Product Ref. | Price |
|--------------------|-------------|--------------|--------|
| 2.0 | 36.0 | B36 | £10.13 |
| 3.0 | 34.0 | B34 | £10.13 |
| 5.0 | 30.0 | B30 | £10.90 |
| 6.0 | 28.0 | B28 | £10.90 |
| 7.0 | 26.0 | B26 | £8.36 |

*A spacer set SPACER/12 may be required for some bearings.

DOOR APPLICATIONS

