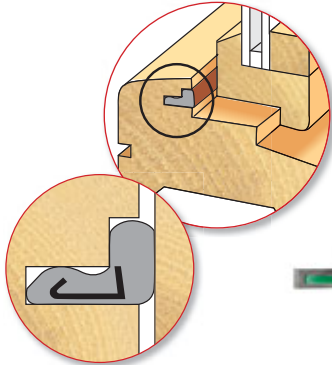


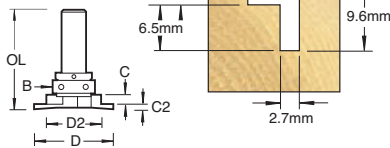
RECESSER

Shank Mounted Bearing Guided Aquamac 63 and Aquatex P6 Style.

Ref. C206 is designed to accommodate the popular Schlegel® Aquamac 63 & Exitex® Aquatex P6 weatherseals and allows for a particularly small gap between sash and frame. The slot can be positioned part way down the side of the rebate, or at the bottom of the rebate.



trend-uk.com/video

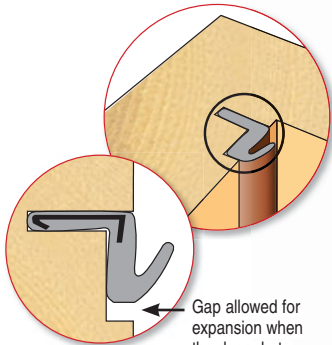


D mm	D2 mm	C mm	C2 mm	B mm	OL mm	Product Ref.	Shank Dia. 1/2"
41.3	28.3	4.8	2.7	22.0	67.0	C206	£62.59

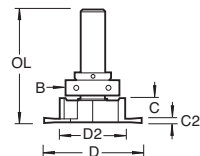
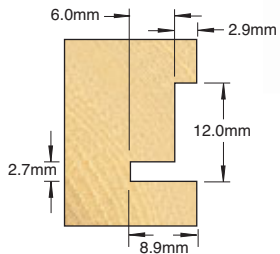
RECESSER

Shank Mounted Bearing Guided Aquamac 21 & Aquatex A10 Style.

Ref. C207 recessing cutter will accommodate Schlegel® Aquamac 21 & Exitex® Aquatex A10 seals. This cutter is designed for use in a wiping mode and comes complete with a guide bearing to reduce setting-up time and simplify machining operations.



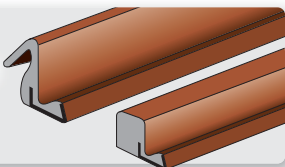
18,000



D mm	D2 mm	C mm	C2 mm	B mm	OL mm	Product Ref.	Shank Dia. 1/2"
46.3	34.3	9.3	2.7	28.6	90.0	C207	£62.59

AQUA WEATHERSEALS

See page 196 for full details.



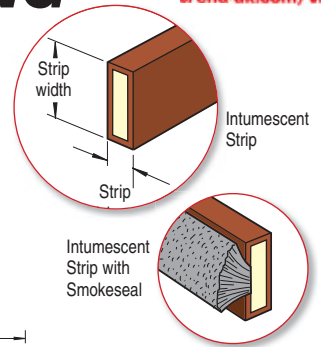
TCT
TUNGSTEN
CARBIDE
TIPPED

INTUMESCENT RECESSING

VIDEO TO WATCH

trend-uk.com/video

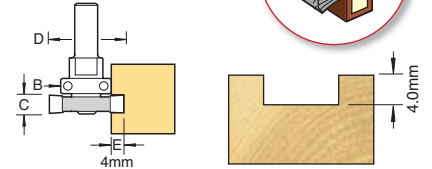
- For either frame or door applications, with standard Intumescent Strip.
- Neatly cuts grooves on doors or frames to accept Intumescent Strip which enables the formation of effective barriers to both fire and smoke.
- By using alternative ball bearing diameters, other seal thicknesses can be introduced.
- Alternative bearings can be purchased to suit other thicknesses.



RECESSER

Shank Mounted Bearing Guided 1/4" Shank.

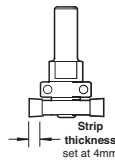
For 4.0mm thick intumescent strip.
Ref. C209 is for 10.0mm width.
Ref. C220 is for 15.0mm width.



C mm	D mm	B mm	E mm	Product Ref.	Shank Dia. 1/4"
10.0	24.0	16.0	4.0	C209	£32.68
15.0	24.0	16.0	4.0	C220	£34.28

ALTERNATIVE BEARINGS for other strip thicknesses

Strip Thickness mm	Bearing mmØ	Product Ref.	Price
2.0	20.0	B20	£11.06
3.0	18.0	B18	£12.17



Ref. C209



RECESSER

Shank Mounted Bearing Guided 1/2" Shank.

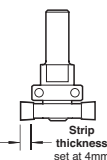
For 4.0mm thick intumescent strip.
Ref. C208 is for 10.0mm width
Ref. C221 is for 15.0mm width
Ref. C223 is for 20.0mm width.

C mm	D mm	B mm	E mm	Product Ref.	Shank Dia. 1/2"
10.0	40.0	32.0	4.0	C208	£47.27
15.0	40.0	32.0	4.0	C221	£48.71
20.0	40.0	32.0	4.0	C223	£72.78

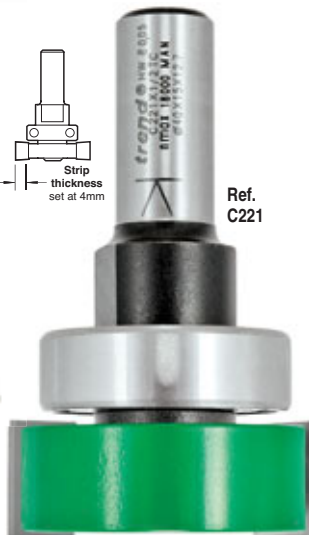
ALTERNATIVE BEARINGS for other strip thicknesses*

Strip Thickness mm	Bearing mmØ	Product Ref.	Price
2.0	36.0	B36	£11.06
3.0	34.0	B34	£11.06
5.0	30.0	B30	£11.92
6.0	28.0	B28	£11.92
7.0	26.0	B26	£9.14

*A spacer set SPACER/12 may be required for some bearings.



Ref. C221



DOOR APPLICATIONS

Half hour rating One hour rating Half hour rating One hour rating

