

TCT PANEL DOOR SETS

**TUNGSTEN
CARBIDE
TIPPED**

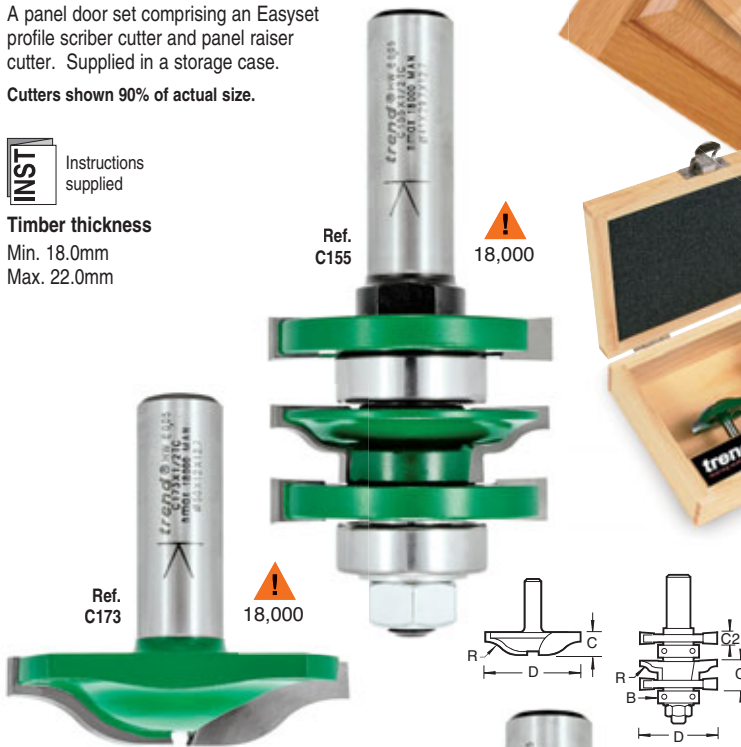
EASYSET OGEE PANEL DOOR SET

A panel door set comprising an Easyset profile scriber cutter and panel raiser cutter. Supplied in a storage case.

Cutters shown 90% of actual size.

INST Instructions supplied

Timber thickness
Min. 18.0mm
Max. 22.0mm



R mm	D mm	C mm	C2 mm	B mm	Product Ref.	Shank Diameter 8mm	1/2"	
4.0	41.0	17.0	6.35	22.0	C155	£74.21	£74.21	
12.0	50.0	16.0	-	-	C173	£58.35	£58.35	
SET COMPRISING ABOVE						CR/PDS1	£125.84	£122.17

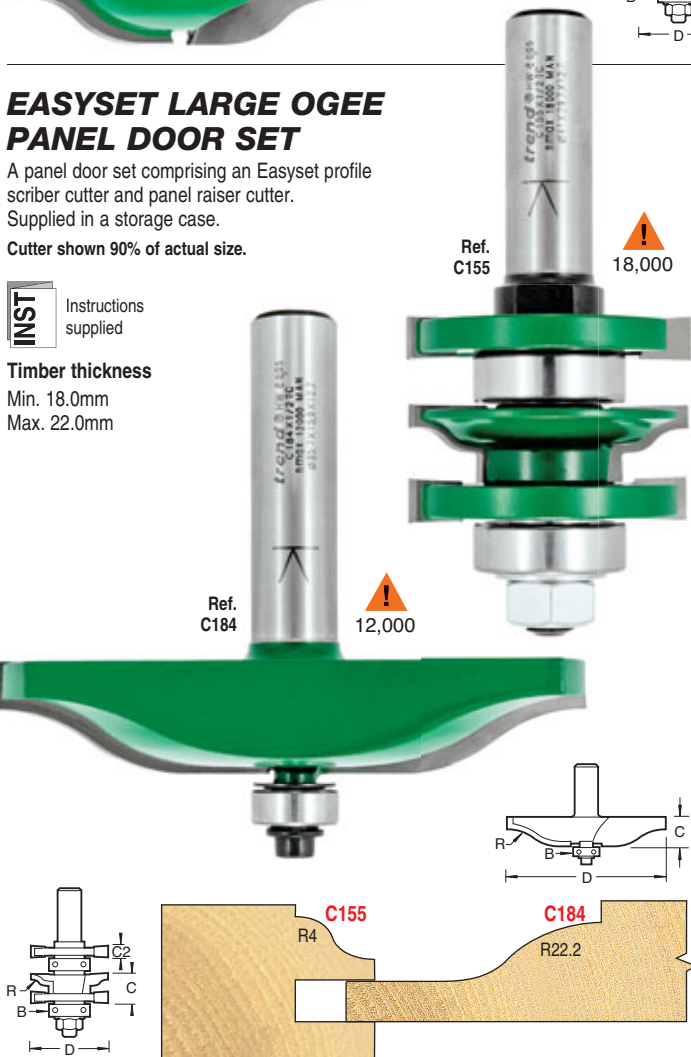
EASYSET LARGE OGEE PANEL DOOR SET

A panel door set comprising an Easyset profile scriber cutter and panel raiser cutter. Supplied in a storage case.

Cutter shown 90% of actual size.

INST Instructions supplied

Timber thickness
Min. 18.0mm
Max. 22.0mm



R mm	D mm	C mm	C2 mm	B mm	Product Ref.	Shank Diameter 12mm	1/2"
4.0	41.0	17.0	6.35	22.0	C155	-	£74.21
22.2	85.7	15.9	-	12.7	C184	£72.05	£74.21
SET COMPRISING ABOVE						CR/PDS3	£137.87

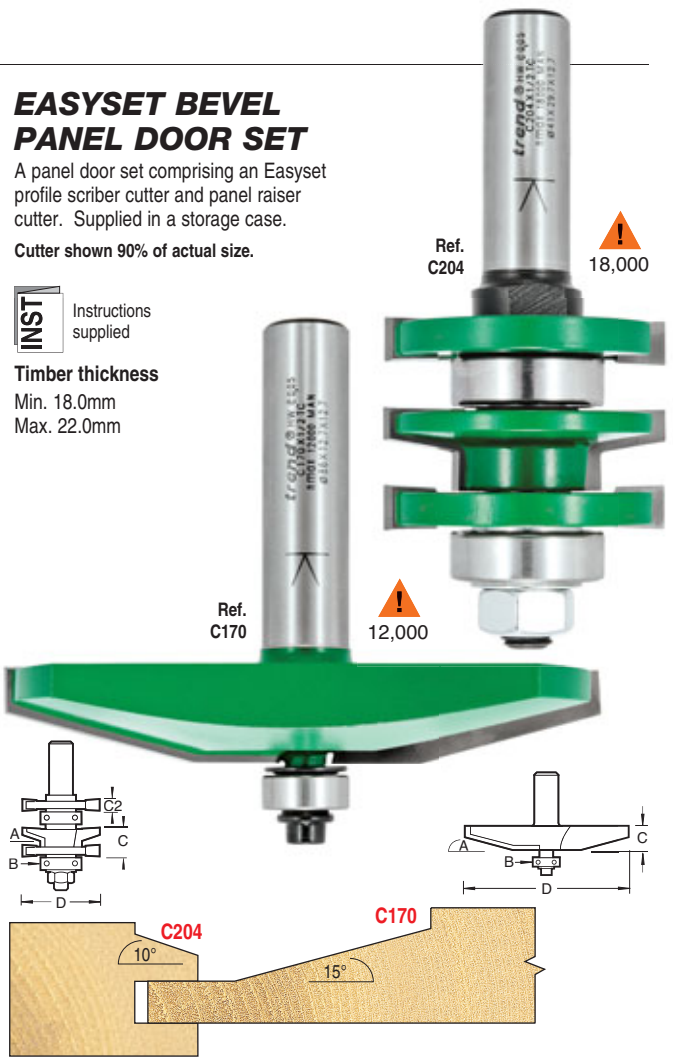
EASYSET BEVEL PANEL DOOR SET

A panel door set comprising an Easyset profile scriber cutter and panel raiser cutter. Supplied in a storage case.

Cutter shown 90% of actual size.

INST Instructions supplied

Timber thickness
Min. 18.0mm
Max. 22.0mm



A Deg.	D mm	C mm	C2 mm	B mm	Product Ref.	Shank Diameter 1/2"	
10°	41.0	17.0	6.35	22.0	C204	£74.21	
15°	86.0	12.7	-	12.7	C170	£69.47	
SET COMPRISING ABOVE						CR/PDS2	£132.56