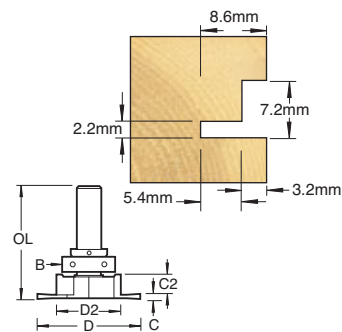
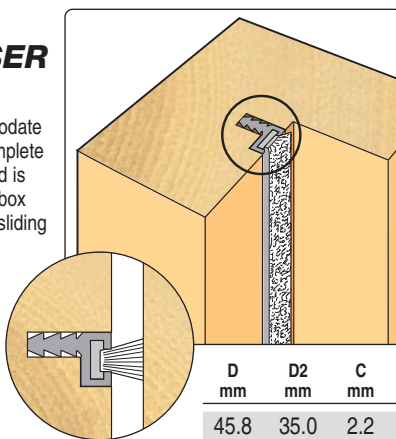


BEARING GUIDED WEATHER PILE RECESSER - OFFSET LEG CARRIER

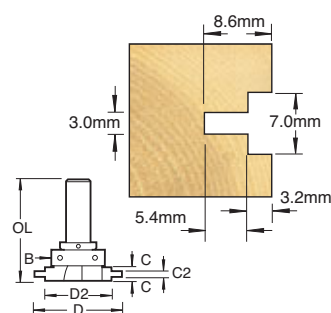
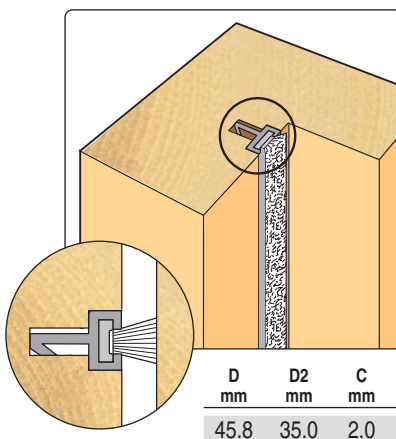
Ref. 343 recessing cutter is designed to accommodate the Offset Leg Carrier weather pile. It comes complete with a guide bearing to reduce setting-up time and is particularly useful for the meeting rails on sliding box sash windows. Can be used for compression or sliding applications. Previously known as Carripile I.



D mm	D2 mm	C mm	C2 mm	B mm	OL mm	Product Ref.	Shank Dia. 1/2"
45.8	35.0	2.2	5.0	28.6	80.0	343	£106.04

BEARING GUIDED WEATHER PILE RECESSER - CENTRAL LEG CARRIER

Ref. 344 recessing cutter is designed to accommodate the Central Leg Carrier weather pile. It comes complete with a guide bearing to reduce setting-up time. Can be used for compression or sliding applications. Previously known as Carripile II.

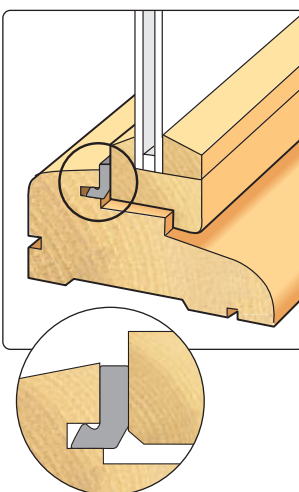


D mm	D2 mm	C mm	C2 mm	B mm	OL mm	Product Ref.	Shank Dia. 1/2"
45.8	35.0	2.0	3.0	28.6	80.0	344	£106.04

FITTING WEATHERSEAL

Barbed weatherseals can be fitted to window and door frames if a groove can be machined in the frame. This groove accepts the barb of the weatherseal. The router is fitted with a threaded arbor on to which a groover, with an internal M12 thread, has been mounted.

- Groover acts as own locking nut.
- Bearing allows ease of set-up.
- Grooves can be routed near to the bottom of a rebate.
- Arbor supplied with spacers.



GROOVERS

Kerf mm	Dia. mm	Bore	Product Ref.	Price
2.0	50.0	M12	34/03	£68.82
2.5	50.0	M12	34/9	£69.47
3.0	50.0	M12	34/10	£69.47

ARBORS

	Product Ref.	Shank Dia. 1/2"
For use with side-fence	33/10	£16.00
For use with bearing guide	33/20	£16.00

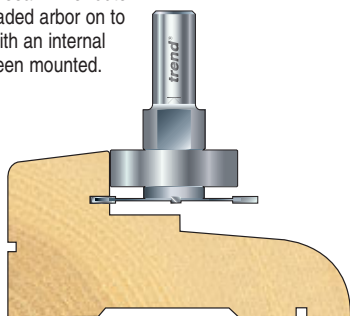
BEARINGS

Groove Depth mm	Product Ref.	Price
6.0	B38	£11.06
6.5	B37	£6.62
7.0	B36	£11.06
7.5	B35	£11.06
8.0	B34	£11.06
8.5	B33	£14.96

This chart matches the ball bearing with the relevant groove depth when used with arbor Ref. 33/20 and the groovers above.

18,000

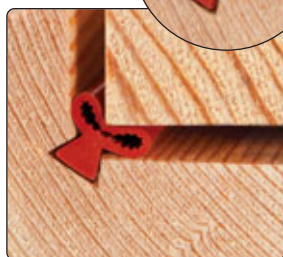
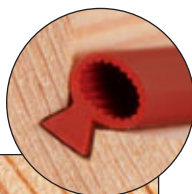
Stepped groove using a bearing guide.



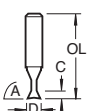
Arbor: Ref. 33/20
Slotter: Ref. 34/03
Bearing: Ref. B38

ROUTASEAL CUTTER

- Cuts groove for Trend Routaseal.
- Position seal into apex of jamb and stop.
- More economic to use than more complex seals.
- Use with a small 1/4" shank hand router.



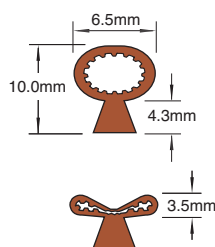
Seal ideally fitted into apex of frame.
Can also be fitted into the closing face.



A Deg.	C mm	D mm	OL mm	Product Ref.	TCT 1/4"	Price
115°	3.0	5.0	61.0	31/10L	£35.46	

ROUTASEAL STRIP

- High grade silicon rubber weatherseal.
 - Will withstand temperatures of -30° to +200°C.
 - Recessed using a small 1/4" shank hand router.
 - Can be slid or tucked in from the top face.
 - Compresses to approximately 3.5mm.
 - Groove depth should be 3mm.
- See page 196 for prices.



Not shown actual size.

Colour	Approximate Length	Product Ref.
White	25 metres	RS/W/25
Brown	25 metres	RS/B/25