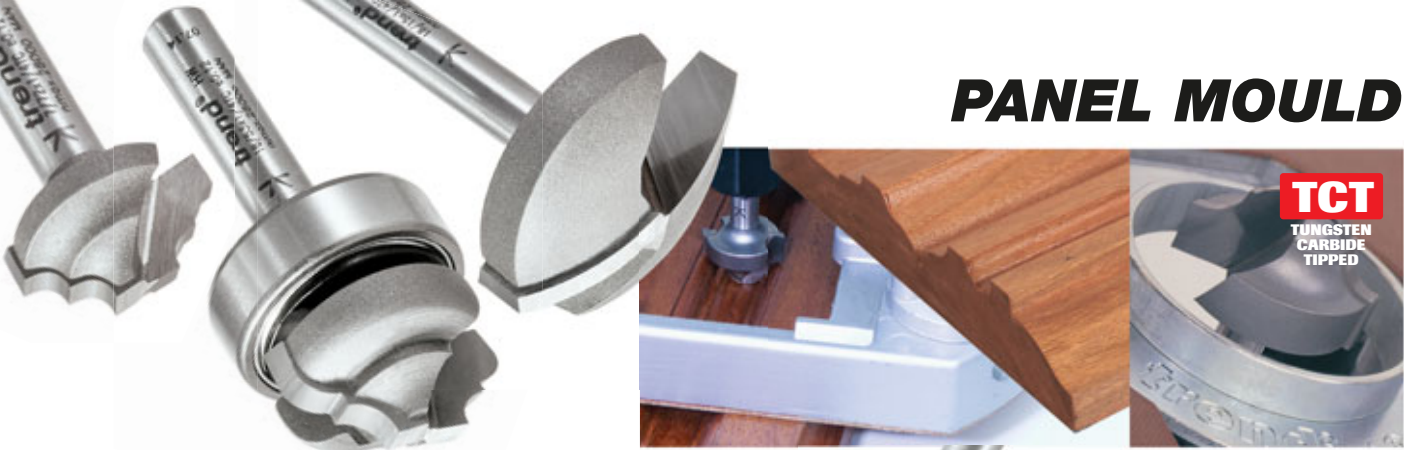


PANEL MOULD

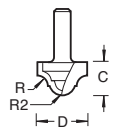
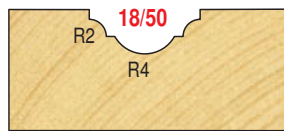


TCT
TUNGSTEN
CARBIDE
TIPPED

CLASSIC DECOR

To create profiles in the face or edge of drawer fronts and cabinet doors.

Ref. 18/50



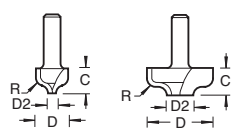
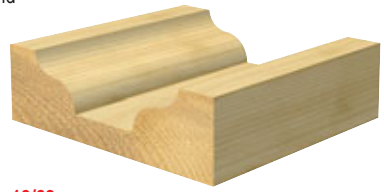
R mm	R2 mm	D mm	C mm	Product Ref.	Shank Dia. 1/4"
2.0	4.0	12.0	7.0	18/50	£43.78 +

SHALLOW OGEE

To create profiles in the face or edge of drawer fronts and cabinet doors.



Ref. 19/61



R mm	D mm	D2 mm	C mm	Product Ref.	Shank Diameter 1/4"	Shank Diameter 1/2"
4.0	19.0	6.5	11.0	19/62	£66.03	-
3.2	35.0	12.5	9.5	18/1	-	£55.09 +

WIDE OGEE

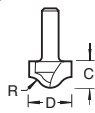
Panel raisers can be used with guide bush templates for decorative work on panel doors etc.



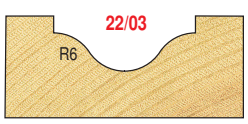
Ref. 18/01

FLAT OGEE

Small panelling cutters for decorative cupboard doors and furniture embellishments.



Ref. 22/03



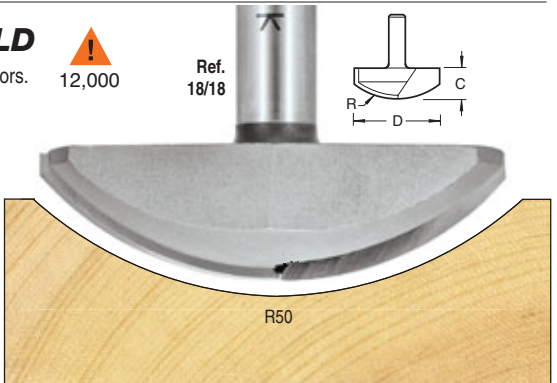
R mm	D mm	C mm	Product Ref.	Shank Diameter 1/2"
6.0	20.0	15.0	22/03	£52.99

DISHED RADIUS MOULD

Ideal panelling cutter for kitchen or cabinet doors.

12,000

Ref. 18/18

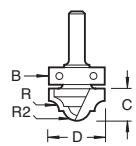
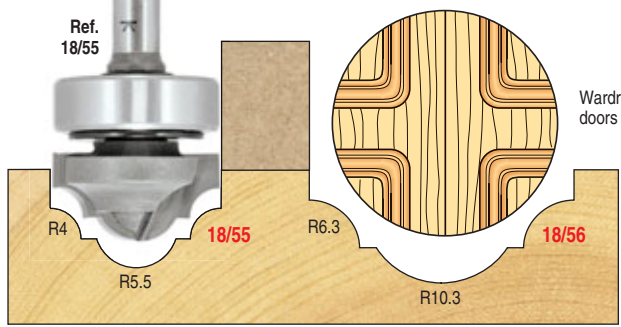


R mm	D mm	C mm	Product Ref.	Shank Dia. 1/2"
50.0	73.0	22.0	18/18	£106.04

SHANK MOUNTED BEARING GUIDED CLASSIC

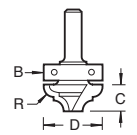
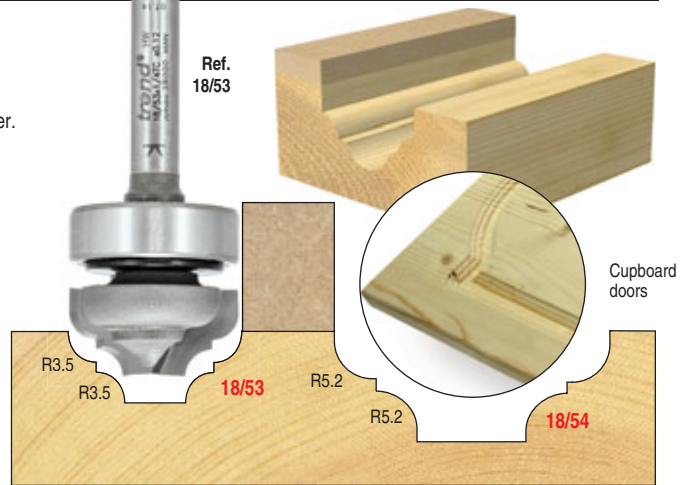
Template thickness should be 5mm thicker than cut length of cutter.

Ref. 18/55



R mm	R2 mm	D mm	C mm	B mm	Product Ref.	Shank Diameter 1/4"	Shank Diameter 1/2"
4.0	5.5	22.0	12.7	22.0	18/55	£59.81	-
6.3	10.3	35.0	14.3	35.0	18/56	-	£83.35

Ref. 18/53



R mm	D mm	C mm	B mm	Product Ref.	Shank Diameter 1/4"	Shank Diameter 1/2"
3.5	22.0	10.0	22.0	18/53	£59.81	-
5.2	35.0	14.0	35.0	18/54	-	£77.80