

PROFILE SCRIBING



COMBINATION

- The classic method of producing cabinet panelled door and drawer fronts is made easy with these Profile Scriber sets.
- With the combination type, components are re-arranged on the arbor to cut the profile or the scribe.
- The Easyset system works by altering the height of the cutter. See opposite page for full details.
- For a range of complimentary panel mould cutters please see pages 52-55 for Raised Panel Moulding.

18,000

INST
Instructions supplied

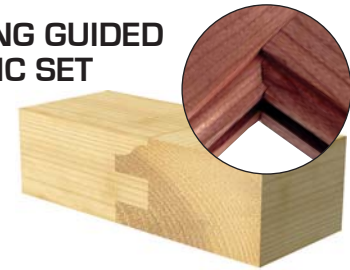
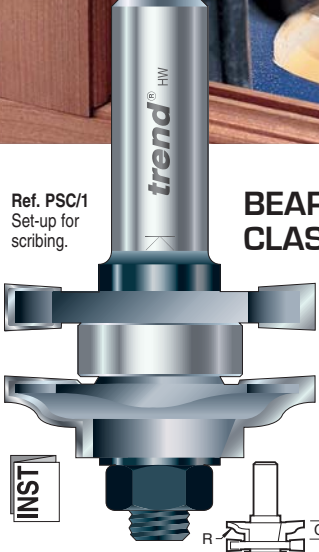
Router table use only.

8mm shank tools are for use with medium & heavy duty routers only.

When using PSC sets at the minimum material thickness, the height of the top quirk may be reduced.

Ref. PSC/1
Set-up for scribing.

BEARING GUIDED CLASSIC SET

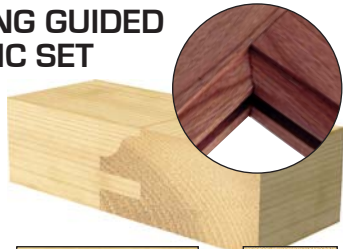
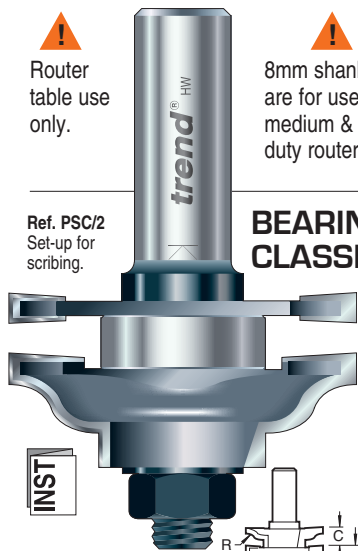


Timber thickness
With 6.3 groover
Min. 18.0mm
Max. 22.0mm
With 4.0 groover
Min. 16.0mm
Max. 18.0mm

| R mm | D mm | C mm | C2 mm | B mm | Product Ref. | Shank Dia. 8mm | Shank Dia. 1/2" |
|------|------|------|-------|------|--------------|----------------|-----------------|
| 4.0 | 41.0 | 11.0 | 6.3 | 22.0 | PSC/1 | £111.39 | £111.39 |
| 4.0 | 41.0 | 11.0 | 4.0 | 22.0 | PSC/10 | - | £111.39 |

Ref. PSC/2
Set-up for scribing.

BEARING GUIDED CLASSIC SET

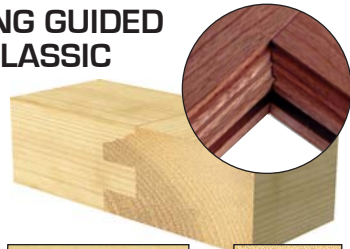
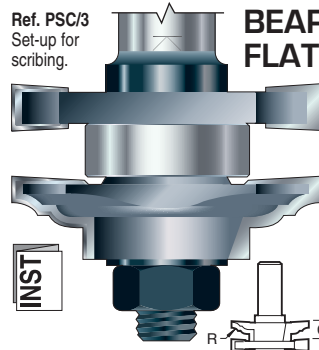


Timber thickness
With 6.3 groover
Min. 21.0mm
Max. 26.5mm
With 4.0 groover
Min. 18.0mm
Max. 22.0mm

| R mm | D mm | C mm | C2 mm | B mm | Product Ref. | Shank Dia. 8mm | Shank Dia. 1/2" |
|------|------|------|-------|------|--------------|----------------|-----------------|
| 5.9 | 46.0 | 15.0 | 4.0 | 22.0 | PSC/2 | £111.39 | £111.39 |
| 5.9 | 46.0 | 15.0 | 6.3 | 22.0 | PSC/20 | - | £111.39 |

Ref. PSC/3
Set-up for scribing.

BEARING GUIDED FLAT CLASSIC

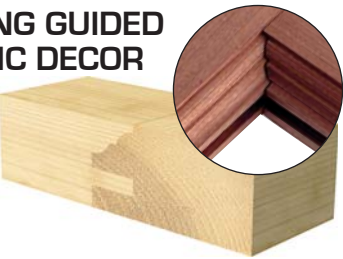
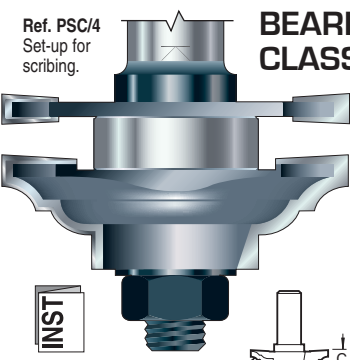


Timber thickness
With 6.3 groover
Min. 18.0mm
Max. 22.0mm
With 4.0 groover
Min. 16.0mm
Max. 18.0mm

| R mm | D mm | C mm | C2 mm | B mm | Product Ref. | Shank Dia. 8mm | Shank Dia. 1/2" |
|------|------|------|-------|------|--------------|----------------|-----------------|
| 3.5 | 41.0 | 11.0 | 6.3 | 22.0 | PSC/3 | £111.39 | £111.39 |
| 3.5 | 41.0 | 11.0 | 4.0 | 22.0 | PSC/30 | £111.39 | £111.39 |

Ref. PSC/4
Set-up for scribing.

BEARING GUIDED CLASSIC DECOR

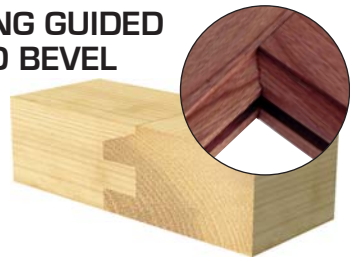
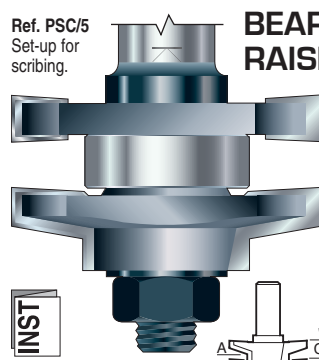


Timber thickness
With 6.3 groover
Min. 21.0mm
Max. 26.5mm
With 4.0 groover
Min. 18.0mm
Max. 22.0mm

| R mm | D mm | C mm | C2 mm | B mm | Product Ref. | Shank Dia. 8mm | Shank Dia. 1/2" |
|------|------|------|-------|------|--------------|----------------|-----------------|
| 4.7 | 46.0 | 15.0 | 4.0 | 22.0 | PSC/4 | £111.39 | £111.39 |
| 4.7 | 46.0 | 15.0 | 6.3 | 22.0 | PSC/40 | - | £111.39 |

Ref. PSC/5
Set-up for scribing.

BEARING GUIDED RAISED BEVEL



Timber thickness
With 6.3 groover
Min. 18.0mm
Max. 22.0mm
With 4.0 groover
Min. 16.0mm
Max. 18.0mm

| A Deg. | D mm | C mm | C2 mm | B mm | Product Ref. | Shank Dia. 8mm | Shank Dia. 1/2" |
|--------|------|------|-------|------|--------------|----------------|-----------------|
| 10° | 41.0 | 11.0 | 6.3 | 22.0 | PSC/5 | £111.39 | £111.39 |
| 10° | 41.0 | 11.0 | 4.0 | 22.0 | PSC/50 | - | £111.39 |

EASYSET


All in one system for quick setting.

- These tools produce the same type of joint and use the same components as the combination PSC sets.
- Both parts of the joint are cut by only changing the cutter height.
- No re-assembly of parts is required to convert the tool from scribing mode to profiling mode and vice-versa.

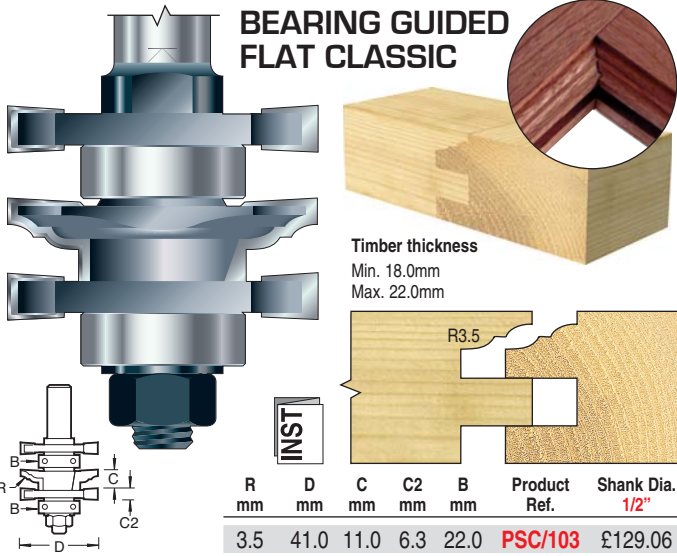
 18,000

 Instructions supplied

 Router table use only.

 When using PSC sets at the minimum material thickness, the height of the top quirk may be reduced.

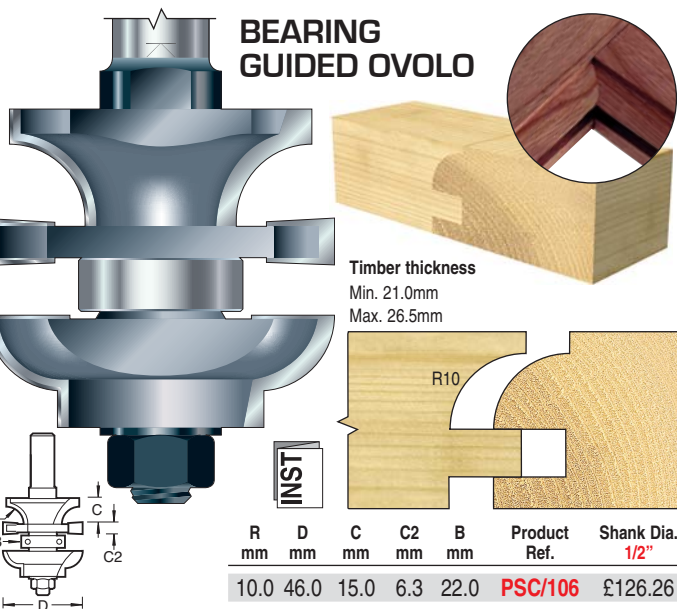
BEARING GUIDED FLAT CLASSIC



Timber thickness
Min. 18.0mm
Max. 22.0mm

| R mm | D mm | C mm | C2 mm | B mm | Product Ref. | Shank Dia. 1/2" |
|------|------|------|-------|------|----------------|-----------------|
| 3.5 | 41.0 | 11.0 | 6.3 | 22.0 | PSC/103 | £129.06 |

BEARING GUIDED OVOLO



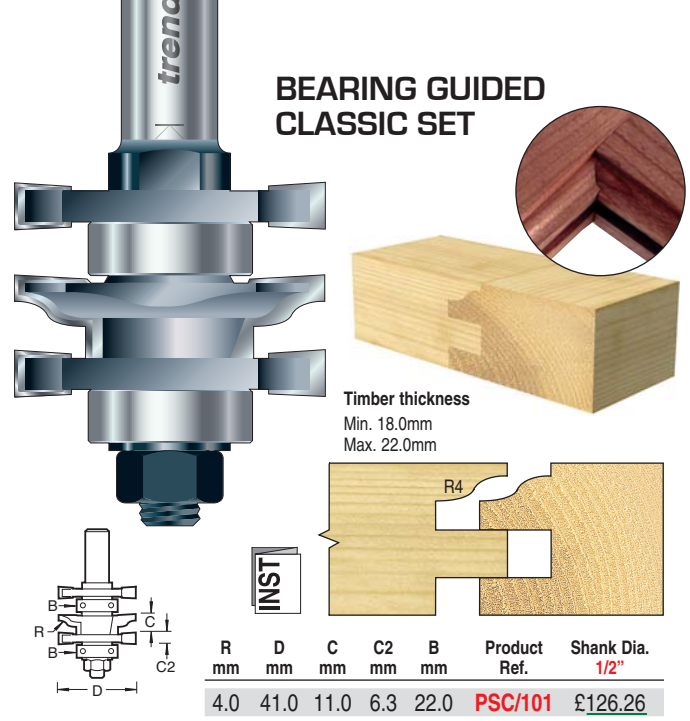
Timber thickness
Min. 21.0mm
Max. 26.5mm

| R mm | D mm | C mm | C2 mm | B mm | Product Ref. | Shank Dia. 1/2" |
|------|------|------|-------|------|----------------|-----------------|
| 10.0 | 46.0 | 15.0 | 6.3 | 22.0 | PSC/106 | £126.26 |

SPARE PARTS

| | | | |
|-----------------------|--------------------------------|-------------------------------|--------|
| Profile block: | for PSC/1, 10 etc. | SP-PSC/1A, 10A etc. | £89.01 |
| | for PSC/106 & 107 | SP-PSC/106A & 107A | £89.01 |
| Scriber block: | for PSC/106 & 107 | SP-PSC/106B & 107B | £89.01 |
| Groover: | for PSC/1, 3, 5, 101, 102, 103 | SP-34/70TC | £27.36 |
| | for PSC/2 & 4 | SP-34/71TC | £27.36 |
| | for PSC/10, 30 & 50 | SP-34/72TC | £27.36 |
| | for PSC/20 & 40 | SP-34/73TC | £27.36 |
| | for PSC/106 & 107 | SP-34/73ATC | £27.36 |
| Bearings for all sets | | BB22 | £10.17 |
| Arbor | for PSC/1 to 50 | 33/30X8MM | £8.96 |
| | | 33/30X3/8 | £8.96 |
| | | 33/30X12MM | £8.96 |
| | | 33/30X1/2 | £8.96 |
| Arbor | for PSC/101 to 103 | 33/31X1/2 | £15.99 |
| Arbor | for PSC/106 & 107 | 33/32X1/2 | £15.25 |
| Spacer set | | SPACER/8 | £7.64 |

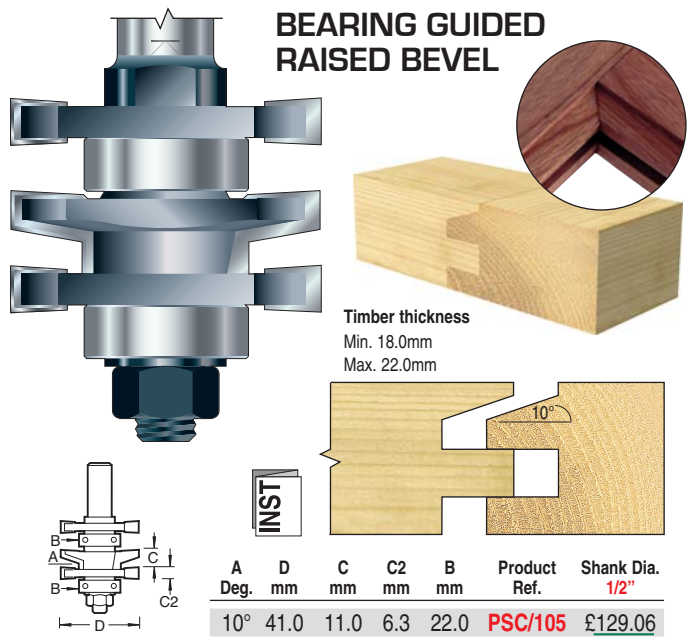
BEARING GUIDED CLASSIC SET



Timber thickness
Min. 18.0mm
Max. 22.0mm

| R mm | D mm | C mm | C2 mm | B mm | Product Ref. | Shank Dia. 1/2" |
|------|------|------|-------|------|----------------|-----------------|
| 4.0 | 41.0 | 11.0 | 6.3 | 22.0 | PSC/101 | £126.26 |

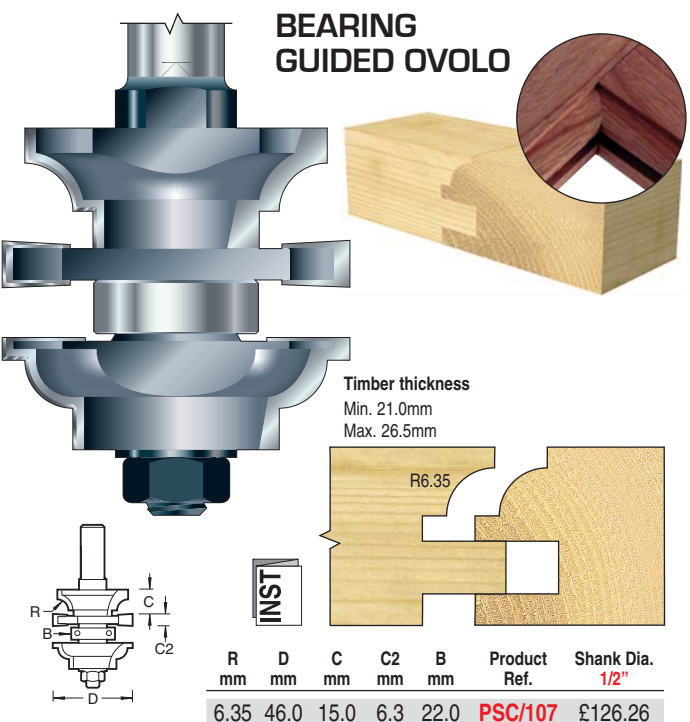
BEARING GUIDED RAISED BEVEL



Timber thickness
Min. 18.0mm
Max. 22.0mm

| A Deg. | D mm | C mm | C2 mm | B mm | Product Ref. | Shank Dia. 1/2" |
|--------|------|------|-------|------|----------------|-----------------|
| 10° | 41.0 | 11.0 | 6.3 | 22.0 | PSC/105 | £129.06 |

BEARING GUIDED OVOLO



Timber thickness
Min. 21.0mm
Max. 26.5mm

| R mm | D mm | C mm | C2 mm | B mm | Product Ref. | Shank Dia. 1/2" |
|------|------|------|-------|------|----------------|-----------------|
| 6.35 | 46.0 | 15.0 | 6.3 | 22.0 | PSC/107 | £126.26 |