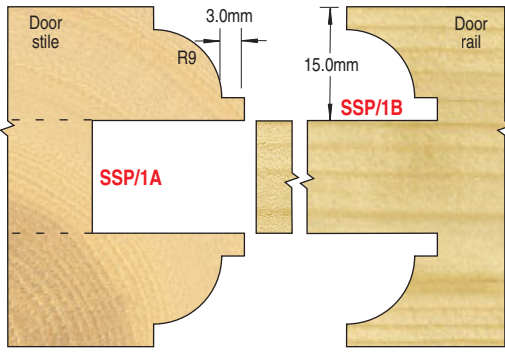


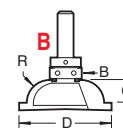
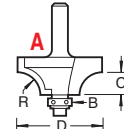
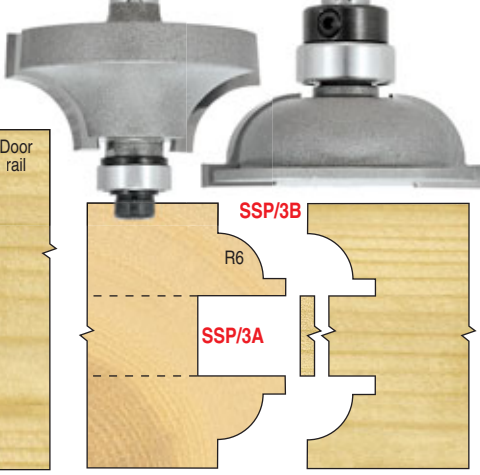
OVOLO SHOULDER SCRIBE & PROFILE SET

For door and window construction, decorative panelling and many other joinery applications. All these cutters have 1/4" (6.35mm) shanks and are available as sets.



Ref. SSP/1A profile

Ref. SSP/1B scribe



Instructions supplied for all cutter sets below.

R mm	D mm	C mm	B mm	Product Ref.	Shank Dia. 1/4"
9.0	33.5	9.0	9.5	SSP/1A	-
9.0	36.7	9.0	12.7	SSP/1B	-
Set comprising above				SSP/1	£122.00

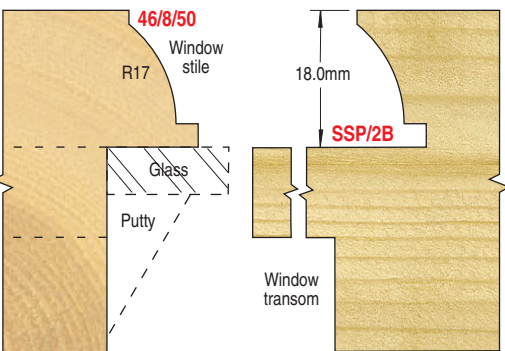
Above suitable for 44.0mm timber thickness.

6.0	27.5	6.0	9.5	SSP/3A	£61.80 +
6.0	30.7	6.0	12.7	SSP/3B	£61.80 +
Set comprising above				SSP/3	£122.00

Above suitable for 35.0mm timber thickness.

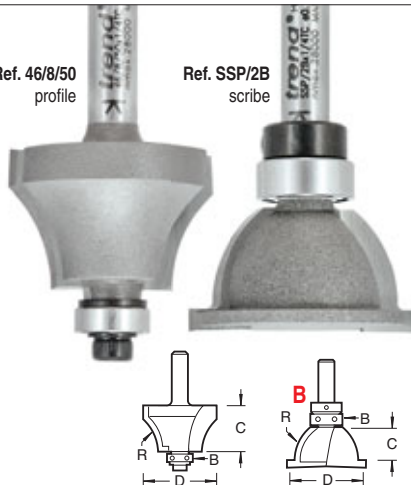
GLAZING BAR SET

For door and window construction, decorative panelling and many other joinery applications. All these cutters have 1/4" (6.35mm) shanks and are available as sets.



Ref. 46/8/50 profile

Ref. SSP/2B scribe



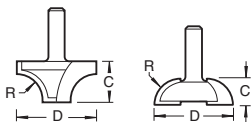
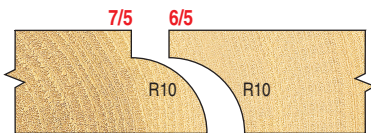
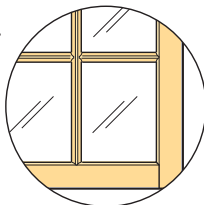
R mm	D mm	C mm	B mm	Product Ref.	Shank Dia. 1/4"
17.0	27.0	17.0	9.5	46/8/50	£75.82
17.0	31.0	13.0	12.7	SSP/2B	-
Set comprising above				SSP/2	£122.00

Above suitable for 44.0mm timber thickness.

GLAZING BAR OVOLO JOINT

This pair of cutters can be used to make rule joints or glazing bar joints.
Timber thickness Min. 11.0mm

Use on sash windows.



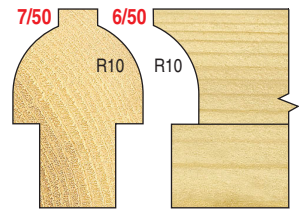
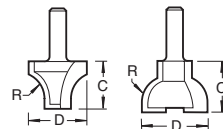
R mm	D mm	C mm	Product Ref.	Shank Dia. 1/4"
10.0	31.0	16.0	7/5	£65.36
10.0	30.0	10.0	6/5	£66.17

SASH BAR OVOLO JOINT

This pair of cutters is designed for sash bar window construction.

Ref. 7/50

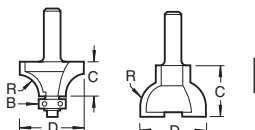
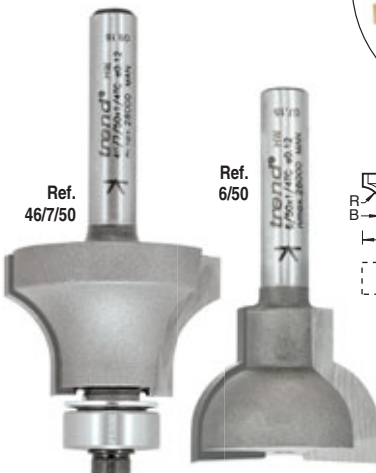
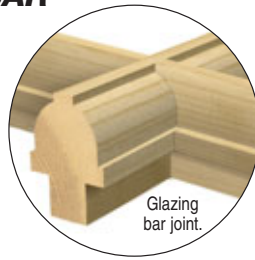
Ref. 6/50



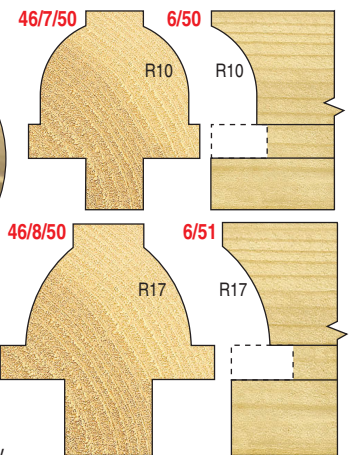
R mm	D mm	C mm	Product Ref.	Shank Dia. 1/4"
10.0	22.0	18.0	7/50	£58.30
10.0	25.0	20.0	6/50	£75.82

GUIDED GLAZING BAR OVOLO JOINT

The glazing bar ovolo cutter is bearing guided to speed setting-up and to enable curved frames to be moulded.



= machined separately.



R mm	D mm	C mm	B mm	Product Ref.	Shank Diameter 1/4"	Shank Diameter 1/2"
10.0	28.0	19.0	12.7	46/7/50	£75.82	-
10.0	25.0	20.0	-	6/50	£75.82	-
17.0	27.0	17.0	9.5	46/8/50	£75.82	£75.82
17.0	22.0	20.0	-	6/51	-	£68.82

+ While stocks last

All prices are exclusive of VAT