

### DC400 JIG DOVETAIL CUTTER

Cutters for use with the Trend DC400 Dovetail Jig (now discontinued). These cutters have extra long shanks.

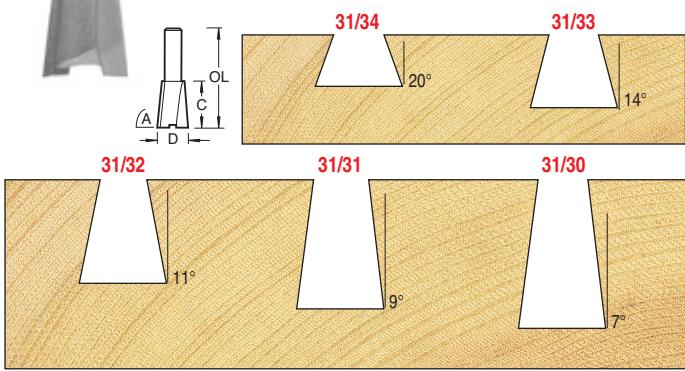
A Deg.	D mm	C mm	OL mm	Product Ref.	Shank Diameter	
					1/4"	8mm
110°	11.3	6.35	56.0	31/34	£21.07 +	£21.07 +
104°	11.3	9.5	59.0	31/33	£21.07 +	£21.07
101°	11.3	13.0	63.0	31/32	£22.20 +	£22.20 +
99°	11.3	16.0	66.0	31/31	£22.20 +	£22.20 +
97°	11.3	19.0	59.0	31/30	£22.20 +	£22.20 +

#### SET OF SEVEN CUTTERS

Comprising 31/30, 31/31, 31/32, 31/33, 31/34 and two 3/43.

Product Ref.	Shank Diameter	
	1/4"	8mm
SET/DC1	£74.12 +	£74.12 +

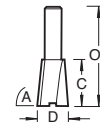
Ref. 31/30



### LEIGH™ JIG DOVETAIL CUTTER

Cutters for use with the Leigh Dovetail Jig. These cutters have extra long shanks.

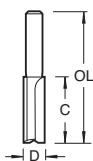
Ref. L120 can also be used with Trend Jig DJ300 (now discontinued) and DeWalt DE6251 jigs.



A Deg.	D mm	C mm	OL mm	Product Ref.	Shank Diameter	
					1/4"	1/2"
108°	12.7	9.5	57.0	L128	£29.70 +	-
104°	12.7	12.0	62.0	L120	£26.47	-
98°	12.7	21.0	67.0	L80	£25.79	-
98°	20.5	32.0	83.0	L100	-	£35.46

### DC400 JIG STRAIGHT TWO FLUTE CUTTER

For use with the Trend DC400 Dovetail Jig (now discontinued). These straights have extra long shanks and are used to cut the dovetail pins.



D mm	C mm	OL mm	Product Ref.	Shank Diameter	
				1/4"	8mm
7.9	25.0	70.0	3/42	£27.13	£21.07 +
8.0	25.0	70.0	3/43	£27.13	£27.13
8.1	25.0	70.0	3/44	£27.13	£21.07 +
8.9	25.0	70.0	3/45	£27.13	£21.07 +

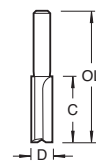
Ref. 3/43



### LEIGH™ JIG STRAIGHT TWO FLUTE CUTTER

For use with the Leigh Dovetail Jig. These cutters have extra long shanks and are used to cut dovetail pins.

Ref. L140

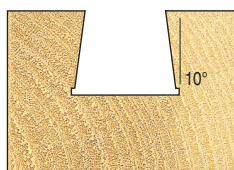


D mm	C mm	OL mm	Product Ref.	Shank Diameter	
				1/4"	8mm
8.0	26.0	70.0	L140	£24.34	£28.58



### BROOKMAN™ CUTTER

Brookman™ cutters are in TCT grade with 3/8" B.S.F threaded shanks.



A Deg.	D inch	D mm	C inch	C mm	Product Ref.	Shank Diameter 3/8" BSF		
						1 off	15 off	25 off
100°	9/16	14.3	15/32	11.9	F41	£50.82	£732.26	£1,210.86

### CDJ DOVETAIL JIGS

See page 154 for full details.

Product Ref.

CDJ300  
CDJ600



For cutters for other makes of dovetail jig, see CRAFTPRO range pages 95-96.