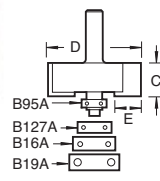


# REBATE CUTTERS

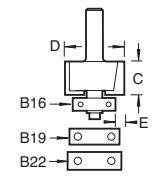
**TCT**  
TUNGSTEN  
CARBIDE  
TIPPED

## BEARING GUIDED REBATE SET

- Popular rebate sets which include different size bearings for a choice of rebates.
  - Easy to set-up and accurate depth of cut.
  - Ideal for rebating straight and shaped workpieces.
  - **Ref. 46/39L** has a 60mm shank length to give access to deep rebates.
  - **Ref. 46/44** is ideal for delicate applications such as musical instrument production, when a small rebate is required for insertion of purfling.
- ▲ When using bearing **Ref. B95A**, make two passes if a full depth of cut is required by using a larger bearing first.



| D mm | C mm | Product Ref.  | 1/4"   | Shank Diameter 8mm | 1/2"   |
|------|------|---------------|--------|--------------------|--------|
| 35.0 | 12.7 | <b>46/39</b>  | £71.60 | £71.60             | £77.15 |
| 35.0 | 12.7 | <b>46/39L</b> | -      | -                  | £86.93 |



| D mm | C mm | Product Ref. | 1/4"   | Shank Diameter 8mm |
|------|------|--------------|--------|--------------------|
| 24.0 | 12.7 | <b>46/44</b> | £66.03 | £66.03             |

### SUPPLIED WITH FOUR BEARINGS BELOW

| Rebate E mm | Bearing Dia. mm | Product Ref. | Price |
|-------------|-----------------|--------------|-------|
| 7.9         | 19.0            | <b>B19A</b>  | £8.35 |
| 9.5         | 16.0            | <b>B16A</b>  | £6.62 |
| 11.1        | 12.7            | <b>B127A</b> | £5.18 |
| 12.7        | 9.5             | <b>B95A</b>  | £6.48 |

### ALTERNATIVE BEARINGS

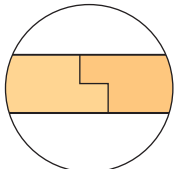
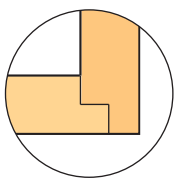
| Rebate E mm | Bearing Dia. mm | Product Ref. | Price  |
|-------------|-----------------|--------------|--------|
| 2.5         | 30.0            | <b>B300A</b> | £11.92 |
| 5.0         | 25.0            | <b>B25A</b>  | £11.92 |
| 6.0         | 23.0            | <b>B23A</b>  | £11.06 |
| 7.0         | 21.0            | <b>B21A</b>  | £11.06 |

### SUPPLIED WITH THREE BEARINGS BELOW

| Rebate E mm | Bearing Dia. mm | Product Ref. | Price  |
|-------------|-----------------|--------------|--------|
| 1.0         | 22.0            | <b>B22</b>   | £11.06 |
| 2.5         | 19.0            | <b>B19</b>   | £5.18  |
| 4.0         | 16.0            | <b>B16</b>   | £4.64  |

### ALTERNATIVE BEARINGS

| Rebate E mm | Bearing Dia. mm | Product Ref. | Price  |
|-------------|-----------------|--------------|--------|
| 2.0         | 20.0            | <b>B20</b>   | £11.06 |
| 3.0         | 18.0            | <b>B18</b>   | £12.17 |
| 3.5         | 17.0            | <b>B17</b>   | £11.92 |
| 4.5         | 15.0            | <b>B15</b>   | £11.92 |
| 5.0         | 14.0            | <b>B14</b>   | £11.92 |
| 5.6         | 12.7            | <b>B127</b>  | £7.81  |



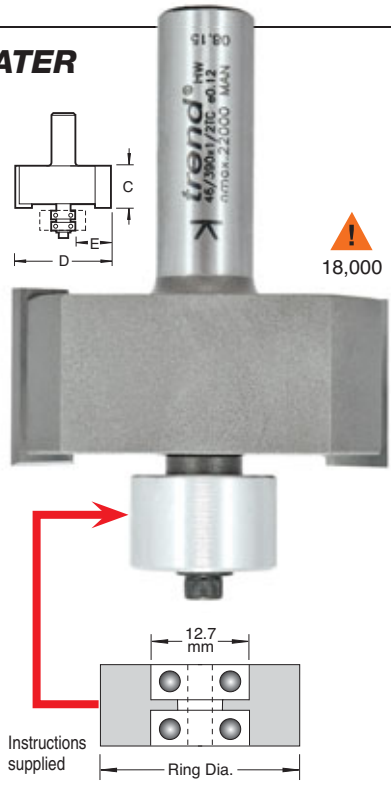
## BEARING GUIDED LARGE REBATER

- Bearing guided for straight or curved work for portable Wand stationary routers.
- Supplied as standard with **Ref. BR/191** fitted.
- A variety of alloy bearing rings are available as accessories to give various rebate sizes. Rings are secured between the two bearings.

| D mm | C mm | E mm        | Product Ref.  | Shank Dia. 1/2" |
|------|------|-------------|---------------|-----------------|
| 50.8 | 22.5 | 19.1 & 15.9 | <b>46/390</b> | £89.71          |

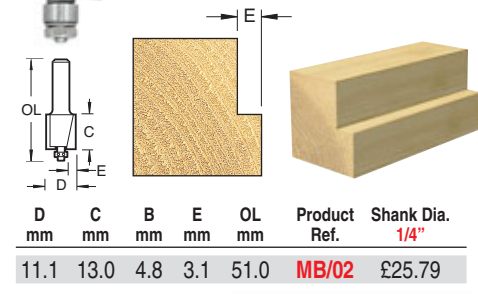
### Alternative size rebates using alloy bearing rings below

| Rebate E mm | Ring Dia. mm | Product Ref.  | Price |
|-------------|--------------|---------------|-------|
| 3.2         | 44.4         | <b>BR/444</b> | £8.35 |
| 4.75        | 41.3         | <b>BR/413</b> | £8.35 |
| 6.35        | 38.1         | <b>BR/381</b> | £8.35 |
| 9.5         | 31.7         | <b>BR/317</b> | £8.35 |
| 12.7        | 25.4         | <b>BR/254</b> | £5.96 |
| 14.3        | 22.2         | <b>BR/222</b> | £5.96 |
| 15.1        | 20.6         | <b>BR/206</b> | £5.96 |
| 15.9        | 19.1         | <b>BR/191</b> | £5.96 |
| 17.45       | 15.9         | <b>BR/159</b> | £5.96 |
| 18.25       | 14.3         | <b>BR/143</b> | £5.96 |



## MINIATURE BEARING GUIDED REBATER

- Follows the work edge to give a preset width of rebate.
  - Small bearing allows access into tight corners.
- ▲ A miniature bearing is fitted which has a limited life of approx. 100 linear metres, after which it must be replaced.



| D mm | C mm | B mm | E mm | OL mm | Product Ref. | Shank Dia. 1/4" |
|------|------|------|------|-------|--------------|-----------------|
| 11.1 | 13.0 | 4.8  | 3.1  | 51.0  | <b>MB/02</b> | £25.79          |

## MINIATURE BEARING CUTTERS

For full range, see page 54 for full details.