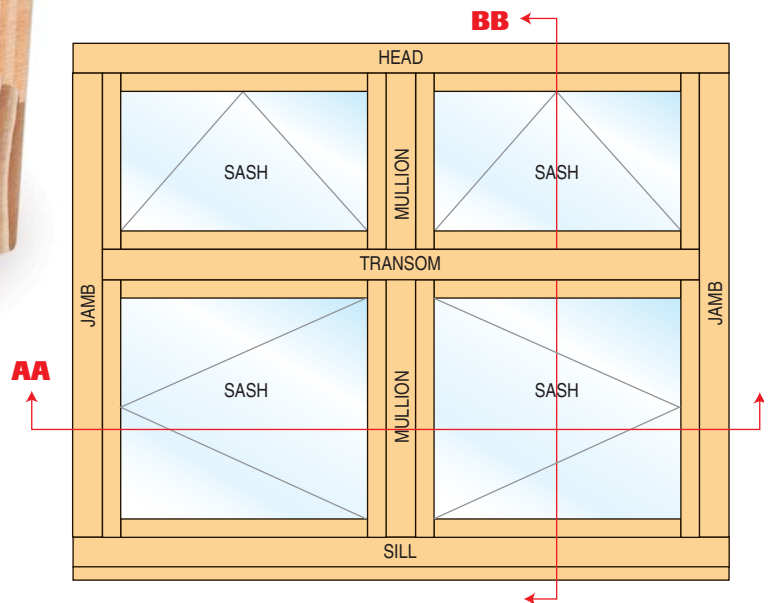
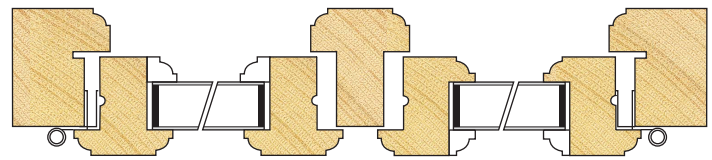




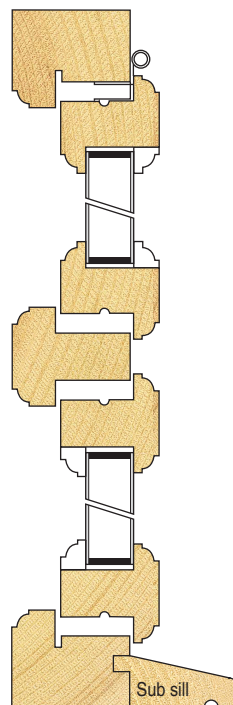
Top View AA



Timber Storm Proof style windows with the following features:

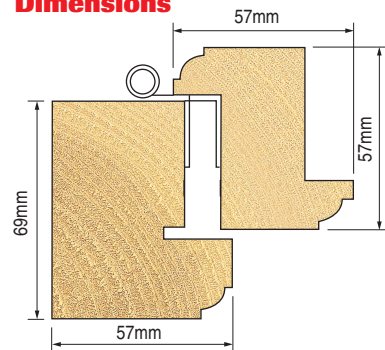
- Outer frame section 69mm x 57mm.
Sash section 57mm x 57mm.
- Standard ovolo profile on outer frame and sash.
- All outer frame and sash joints are combed.
- Will also produce single tenon for mullion and transom joints (mortise hole required).
- Uses standard cranked hinges, fasteners and stays.
- 4mm groove width in outer frame to accept standard weather seals. Alternative 3mm groove width can be produced - see page 55.
- Produces 15mm rebate depths in outer frame.
- Produces 15mm x 42mm rebates in the sash.
- Routing jig also available for producing the slot in the sash for the trickle vent.

Side View BB



(Requires sill block, see page 56)

Dimensions



This system is supplied with a wallchart and individual specification sheets per step. The wallchart can be mounted next to the spindle moulder for quick selection of tools.



Description

Wallchart
Specification Manual

Product Ref

WALL/MWS/SP
MANU/MWS/SP



Beading The profile tools in the system can be used for creating the beads, but require changes to the spindle machine settings.



Shared Common Tools When purchasing in conjunction with other styles please see pages 44 & 45.

Complete set of 23 tools with 30mm bore (or 1-1/4") including spacers and setting gauge.

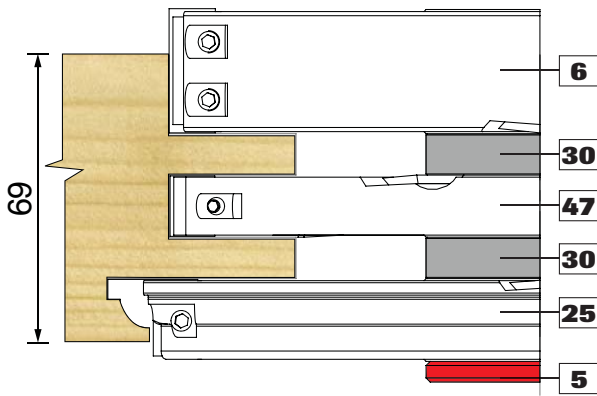
Product Ref

IT/MWS/SET011
IT/MWS/SET017

Bore

30mm
1-1/4"

Step 1 Tenon Tools for Outer Frame Jambs



Tools/Spacers			Replacement Knives			
Item No	Product Ref. 30mm (1-1/4")	Description	Size	Product Ref.	Size	Product Ref.
6	IT/7105461(7)	Tenon Head	30x12x1.5	IT/3101230/10	14x14x2.0	IT/3008503/10
30	IT/1920531(7)	Spacer	N/A			
47	IT/71054471(7)	Tenon Head	14.6x12x1.5	IT/3108702/10	14x14x2.0	IT/3008503/10
30	IT/1920531(7)	Spacer	N/A			
25	IT/71054251(7)	Ovolo Head	20x23x2.0	IT/3108567	14x14x2.0	IT/3008503/10
5	IT/1920061(7)	Spacer	N/A			

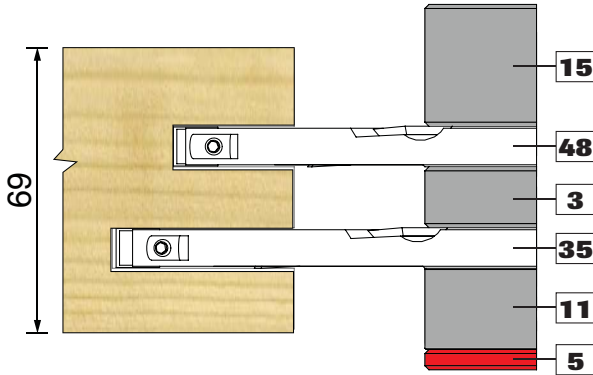
Alternative profile styles, see pages 41 - 43.



Recommended Speed
3,500 - 4,500 RPM

Replacement knives with a /10 are sold in packs of 10.

Step 2 Slot for Outer Frame Head & Sill

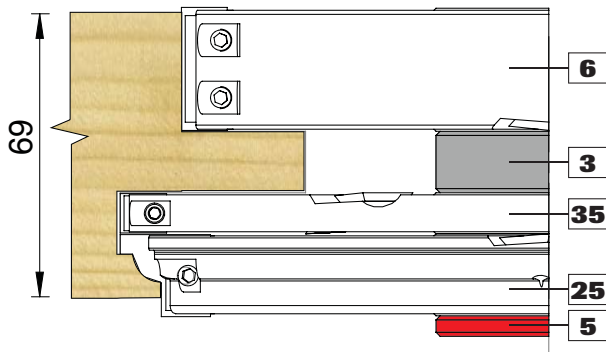


Tools/Spacers			Replacement Knives			
Item No	Product Ref. 30mm (1-1/4")	Description	Size	Product Ref.	Size	Product Ref.
15	IT/1920561(7)	Spacer	N/A			
48	IT/71054481(7)	Tenon Head	9.6x12x1.5	IT/3007507/10	14x14x2.0	IT/3008503/10
3	IT/1920541(7)	Spacer	N/A			
35	IT/71054351(7)	Tenon Head	9.6x12x1.5	IT/3007507/10	14x14x2.0	IT/3008503/10
11	IT/1920551(7)	Spacer	N/A			
5	IT/1920061(7)	Spacer	N/A			



Recommended Speed
3,500 - 4,500 RPM

Step 3 Outer Frame Transom to Head, Sill & Jambs



Tools/Spacers			Replacement Knives			
Item No	Product Ref. 30mm (1-1/4")	Description	Size	Product Ref.	Size	Product Ref.
6	IT/7105461(7)	Rebate Head	30x12x1.5	IT/3101230/10	14x14x2.0	IT/3008503/10
3	IT/1920541(7)	Spacer	N/A			
35	IT/71054351(7)	Tenon Head	9.6x12x1.5	IT/3007507/10	14x14x2.0	IT/3008503/10
25	IT/71054251(7)	Ovolo Head	20x23x2.0	IT/3108567	14x14x2.0	IT/3008503/10
5	IT/1920061(7)	Spacer	N/A			

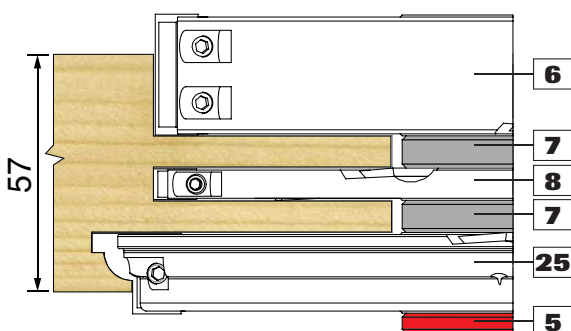


Alternative profile styles, see pages 41 - 43.



Recommended Speed
3,500 - 4,500 RPM

Step 4 Tenon for Sash Rails



Tools/Spacers			Replacement Knives			
Item No	Product Ref. 30mm (1-1/4")	Description	Size	Product Ref.	Size	Product Ref.
6	IT/7105461(7)	Rebate Head	30x12x1.5	IT/3101230/10	14x14x2.0	IT/3008503/10
7	IT/1927801(7)	Spacer	N/A			
8	IT/7105481(7)	Tenon Head	7.5x12x1.5	IT/3107512/10	14x14x2.0	IT/3008503/10
25	IT/71054251(7)	Ovolo Head	20x23x2.0	IT/3108567	14x14x2.0	IT/3008503/10
5	IT/1920061(7)	Spacer	N/A			

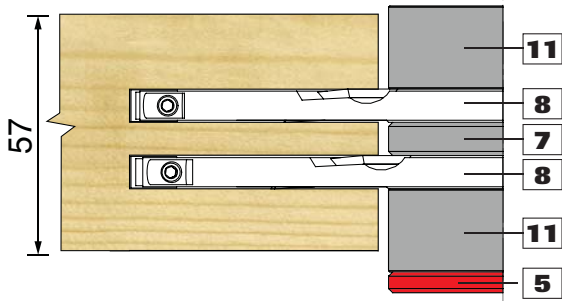


Alternative profile styles, see pages 41 - 43.



Recommended Speed
3,500 - 4,500 RPM

Step 5 Slots for Sash Stiles



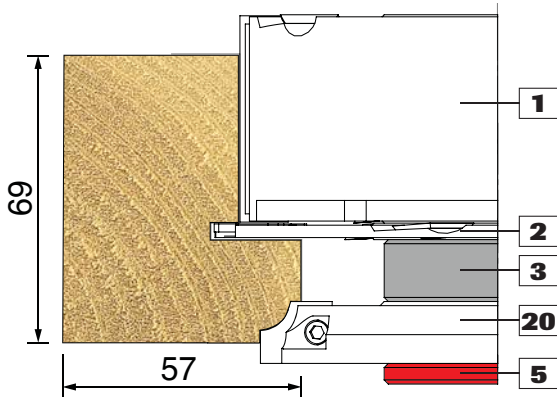
Tools/Spacers			Replacement Knives			
Item No	Product Ref. 30mm (1-1/4")	Description	Size	Product Ref.	Size	Product Ref.
11	IT/1920551(7)	Spacer	N/A			
8	IT/7105481(7)	Tenon Head	7.5x12x1.5	IT/3107512/10	14x14x2.0	IT/3008503/10
7	IT/1927801(7)	Spacer	N/A			
5	IT/1920061(7)	Spacer	N/A			

Replacement knives with a /10 are sold in packs of 10.



Recommended Speed
3,500 - 4,500 RPM

Step 6 Outer Frame Profile



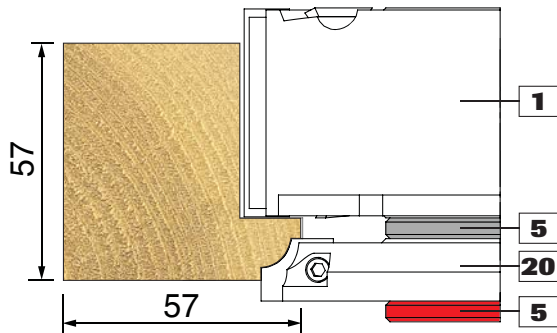
Tools/Spacers			Replacement Knives			
Item No	Product Ref. 30mm (1-1/4")	Description	Size	Product Ref.	Size	Product Ref.
1	IT/7105411(7)	Rebate Head	50x12x1.5	IT/3101250/10	14x14x2.0	IT/3008503/10
2	IT/7105421(7)	Groover	18x18x2.0	IT/3008501/10	14x14x2.0	IT/3008503/10
3	IT/1920541(7)	Spacer	N/A			
20	IT/71054201(7)	Ovolo Head	15x20x2.0	IT/3108627	-	-
5	IT/1920061(7)	Spacer	N/A			

 Alternative profile styles, see pages 41 - 43.



Recommended Speed
5,500 - 6,500 RPM

Step 7 Inner Sash Profile



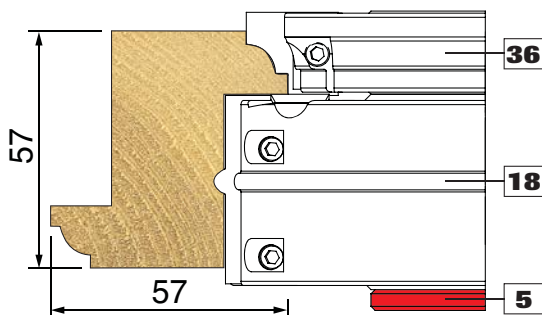
Tools/Spacers			Replacement Knives			
Item No	Product Ref. 30mm (1-1/4")	Description	Size	Product Ref.	Size	Product Ref.
1	IT/7105411(7)	Rebate Head	50x12x1.5	IT/3101250/10	14x14x2.0	IT/3008503/10
5	IT/1920061(7)	Spacer	N/A			
20	IT/71054201(7)	Ovolo Head	15x20x2.0	IT/3108627	-	-

 Alternative profile styles, see pages 41 - 43.



Recommended Speed
5,500 - 6,500 RPM

Step 8 Outer Sash Profile



Tools/Spacers			Replacement Knives			
Item No	Product Ref. 30mm (1-1/4")	Description	Size	Product Ref.	Size	Product Ref.
36	IT/71054361(7)	Ovolo Head	20x23x2.0	IT/3108599	-	-
18	IT/71054181(7)	Rebate Head	47x20x2.0	IT/3108626	14x14x2.0	IT/3008503/10
5	IT/1920061(7)	Spacer	N/A			

 Alternative profile styles, see pages 41 - 43.

Replacement knives with a /10 are sold in packs of 10.



Recommended Speed
5,500 - 6,500 RPM

